

**Three Station Wall Mounted Wash Sink
With Sensor Faucets, AC / Battery Powered
Models EWMA6020SACC,
EWMA6020SACMC and EWMA6020SACTMC**



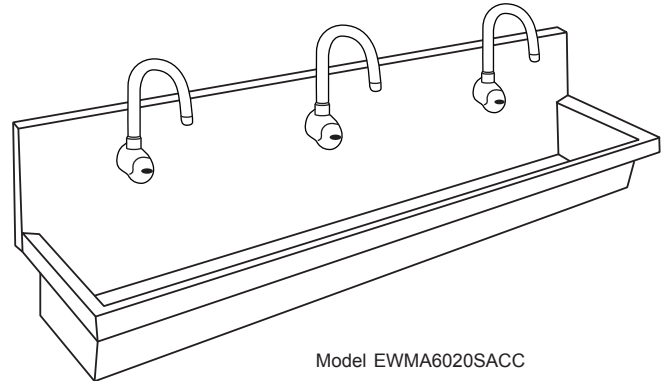
SPECIFICATIONS

GENERAL

EWMA6020 #14 gauge, type 304 (18-8) stainless steel three station wash sink with 1/4" (6mm) radius coved corners. 1-1/2" (38mm) wide sloping top channel rims, with 2" (51mm) flat apron. Full length 10" (254mm) high backsplash. Rim corners are square. Exposed surfaces are hand blended to a uniform satin luster finish. Furnished with wall hangers and stainless steel support brackets.

(CHECK MODEL SPECIFIED)

MODEL	FAUCET	DRAIN	MIXING VALVE
<input type="checkbox"/> EWMA6020SACC	LKB722C (3)	LK18B	NONE
<input type="checkbox"/> EWMA6020SACMC	LKB722C (3)	LK18B	LK724 (3)
<input type="checkbox"/> EWMA6020SACTMC	LKB722C (3)	LK18B	LK723 (3)



Model EWMA6020SACC

LKB722C Sensor-operated, non-mixing backsplash-mounted gooseneck faucet with adjustable sensor eyes. A continuous beam is emitted from sensor. The sensor faucet is activated by user placing hands under the spout. Water will flow as long as hands remain within sensor range. When hands are removed the water stops automatically based on shut off delay settings. The sensor then resets and is ready for the next user. Chrome-plated solid brass body construction with 2.0gpm laminar flow control on spout end.

Includes water-resistant sensor control module and power cables. Features dual power options: AC plug-in and battery holder with four AA batteries. Slow-closing piston operated solenoid valve, in-line filter with clean-out trap and flexible supply hose. Control circuit is solid state, has adjustable sensor range of 7/8" (22mm) to 6-3/4" (171mm), shut-off delay preset to 1 second and field adjustable to 2 seconds (to prevent sink overflow).

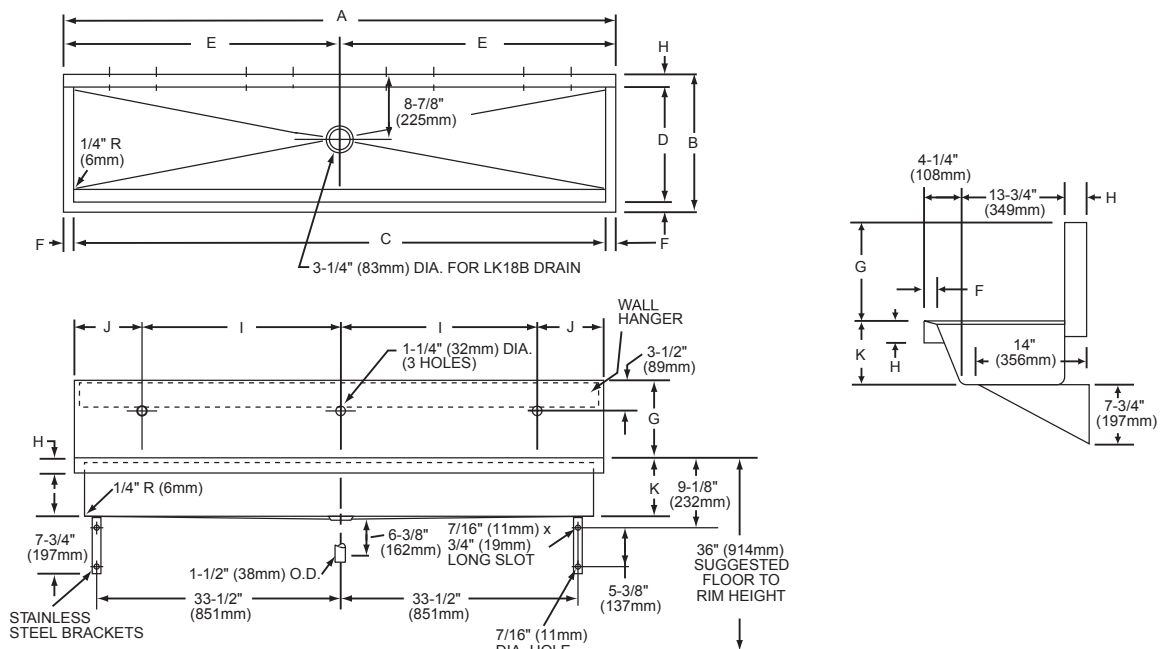
LK18B Stainless steel perforated grid strainer with 1-1/2" (38mm) O.D. stainless steel tailpiece.

LK723 Anti-scald thermostatic mixing valve with nickel-plated brass body 1/2" (13mm) SWT inlets and outlet connections, check valves on inlets and a mixed temperature range of 80° - 120°F. Certified under ASSE1016.

LK724 Mechanical mixing valve with C.P. brass body, 3/8" (10mm) compression inlets and outlet connections, and check valves on inlets.

DIMENSIONS

Model Number	A		B		C		D		E		F		G		H		I		J		K	
	in.	mm	in.	mm	in.	mm	in.	mm	in.	mm	in.	mm	in.	mm	in.	mm	in.	mm	in.	mm	in.	mm
EWMA6020	60	1524	20	508	57	1448	16 1/2	419	30	762	1 1/2	38	10	254	2	51	20	508	10	254	8	203



**Three Station Wall Mounted Wash Sink
With Sensor Faucets, AC / Battery Powered
Models EWMA6020SACC,
EWMA6020SACMC and EWMA6020SACTMC**



ROUGH-IN DIMENSIONS

