

**Multiple Station Urinal
Integral Hood, Concealed Flush Pipe
Models EUH4814C and EUH6014C**



SPECIFICATIONS

GENERAL

#14 gauge Type 304 (18-8), stainless steel multiple station urinal. Welded seamless, 1/4" (6mm) radii covered corner construction. Full length sloping backsplash with integral flush pipe hood. 1-1/2" (38mm) wide sloping top channel rims with 2" (51mm) flat front apron. Slanted front. Exposed surfaces polished to a satin finish. Bottom and back are sound deadened. Furnished with a continuous length wall hanger, integral stainless steel mounting "Z" brackets, continuous flush pipe and drain.

(CHECK MODEL SPECIFIED)

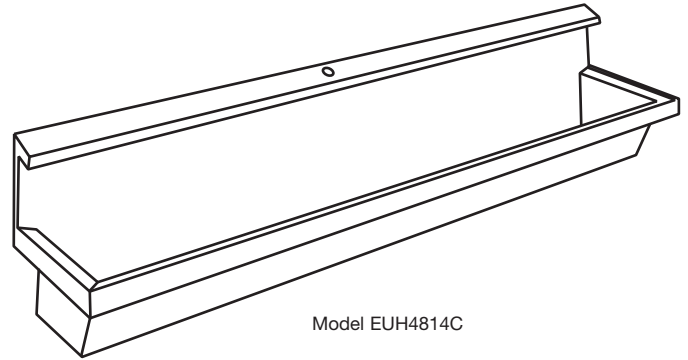
- EUH4814C
- EUH6014C

FURNISHED COMPLETE WITH:

SUPPLY FOR EUH4814C: LK388. Chrome plated brass continuous flush pipe, 3/4" (19mm) O.D. tubing. With flush pipe holders.

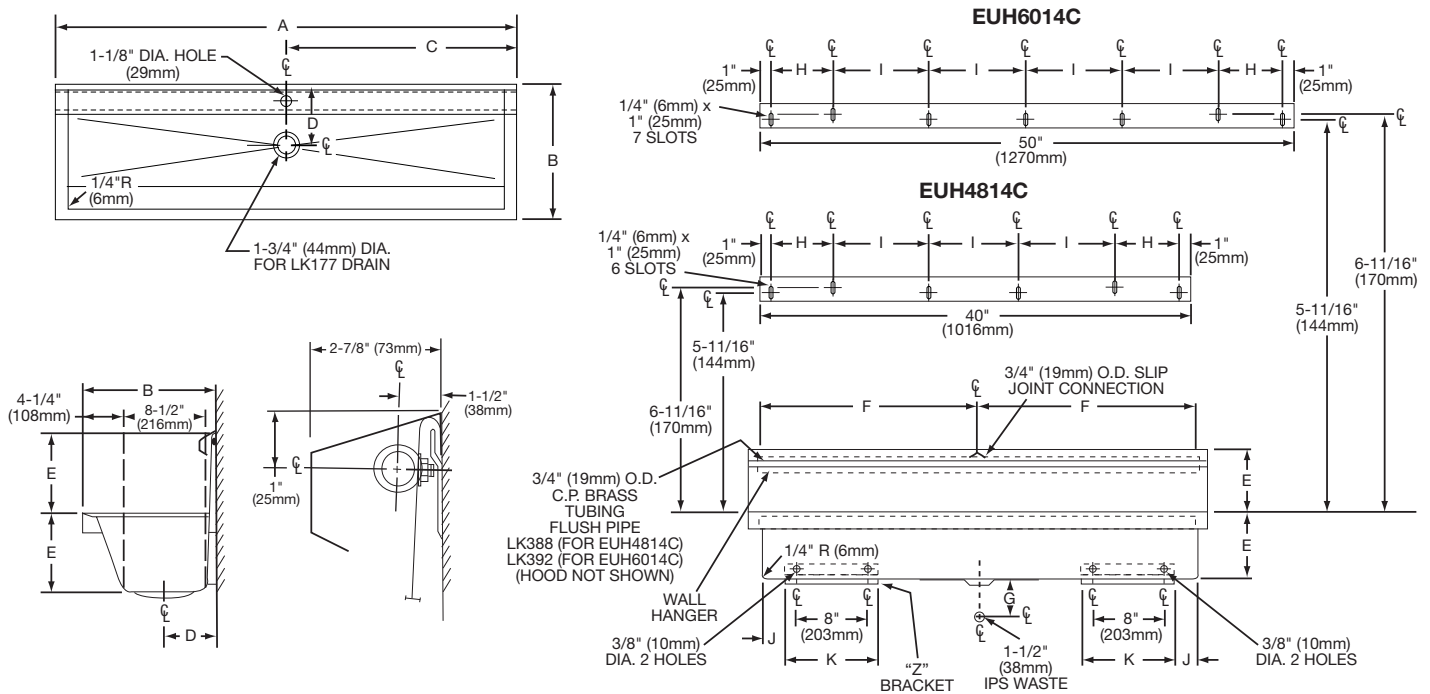
SUPPLY FOR EUH6014C: LK392. Chrome plated brass continuous flush pipe, 3/4" (19mm) O.D. tubing. With flush pipe holders.

DRAIN: LK177. Chrome plated beehive strainer, 1-1/2" (38mm) O.D. tailpiece.



DIMENSIONS

Model Number	A		B		C		D		E		F		G		H		I		J		K	
	in.	mm	in.	mm	in.	mm	in.	mm	in.	mm	in.	mm	in.	mm	in.	mm	in.	mm	in.	mm	in.	mm
EUH4814C	48	1219	14	356	24	610	5 1/2	140	8	203	22 1/2	572	4 1/8	105	4	102	10	254	3	76	12	305
EUH6014C	60	1524	14	356	30	762	5 1/2	140	8	203	28 1/2	724	4 1/8	105	4	102	10	254	3	76	12	305



In keeping with our policy of continuing product improvement, Elkay reserves the right to change product specifications without notice.