

**Scrub-up Sink, Wall Mounted  
Double Pedal Control  
Models EWS2520FC and EWS2520  
EWS3120FC and EWS3120**

**ELKAY®**

**SPECIFICATIONS**

**GENERAL**

#14 gauge, type 304 (18-8), stainless steel scrub-up sink with 1-3/4" (44mm) radius vertical and horizontal covered corners. 1-1/2" (38mm) rolled rim. Full length 6" (152mm) high back-splash. Exposed surfaces are hand blended to a uniform satin luster finish. Underside is sound deadened. Furnished with wall hanger and stainless steel support brackets.

(CHECK MODEL SPECIFIED)

- EWS2520FC
- EWS3120FC

**FURNISHED COMPLETE WITH:**

**SUPPLY: LK398C.** Wall hung, chrome plated double pedal valve with mounting package.

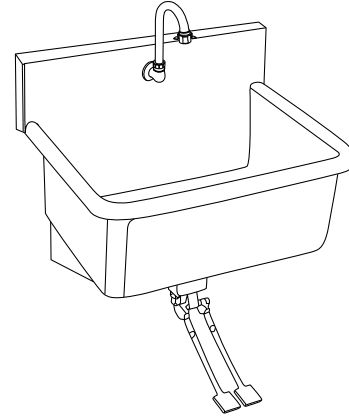
**SPOUT: LK395A.** Chrome plated 8-3/16" (208mm) high gooseneck spout with AE19A vandal-resistant, anti-hose aerator. (Intermediate piping not included.)

**DRAIN: LK18B.** Stainless steel perforated strainer grid. 1-1/2" (38mm) O.D. x 4" (102mm) stainless steel tailpiece.

**FOLLOWING MODELS DO NOT INCLUDE FAUCETS AND DRAIN:**

- EWS2520
- EWS3120

SPECIFY FAUCET DRILLINGS AND LOCATION.



Model EWS2520FC

SEE OTHER SIDE FOR PRODUCT DIMENSIONS.

*In keeping with our policy of continuing product improvement, Elkay reserves the right to change product specifications without notice.*

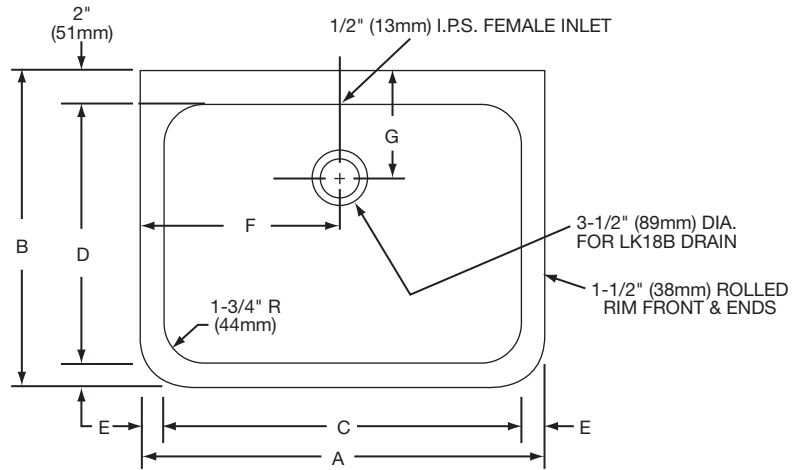
*This specification describes an Elkay product with design, quality and functional benefits to the user. When making a comparison of other producers' offerings, be certain these features are not overlooked.*

**ROUGH-IN DIMENSIONS**

**DIMENSIONS**

Model Number EWS2520					
DIMS.	in.	mm	DIMS.	in.	mm
A	25	635	G	7	178
B	19 1/2	495	H	6	152
C	22	559	I	10 1/2	267
D	16	406	J	7/16	11
E	1 1/2	38	K	2 5/8	67
F	12 1/2	318	L	17	432

Model Number EWS3120					
DIMS.	in.	mm	DIMS.	in.	mm
A	31	787	G	7	178
B	19 1/2	495	H	6	152
C	28	711	I	10 1/2	267
D	16	406	J	7/16	11
E	1 1/2	38	K	2 5/8	67
F	15 1/2	394	L	23	584



MOUNTING PACKAGE/FOOT PEDAL					
DIMS.	in.	mm	DIMS.	in.	mm
(a)	2 1/2	64	(d)	4 15/16	125
(b)	1 17/8	302	(e)	1 1/2	38
(c)	8 3/4	222			

