

**Surgeon's Lavatory With Instrument Trays,  
Wall Mounted, Knee Action Control  
Models ESLV2820KC and ESLV2820**

**ELKAY®**

**SPECIFICATIONS**

**GENERAL**

#16 gauge, type 304 (18-8), stainless steel surgeon's lavatory with integral instrument trays. Lavatory compartment has 1-3/4" (44mm) radius vertical and horizontal covered corners. Exposed surfaces are hand blended to a uniform lustrous satin finish. Underside is sound deadened. Furnished with stainless steel support brackets. Mount unit 1-1/2" (38mm) from wall.

(CHECK MODEL SPECIFIED)

ESLV2820KC

**FURNISHED COMPLETE WITH:**

**SUPPLY: LK397C.** Knee action mixing valve with wall mount brackets and mounting package.

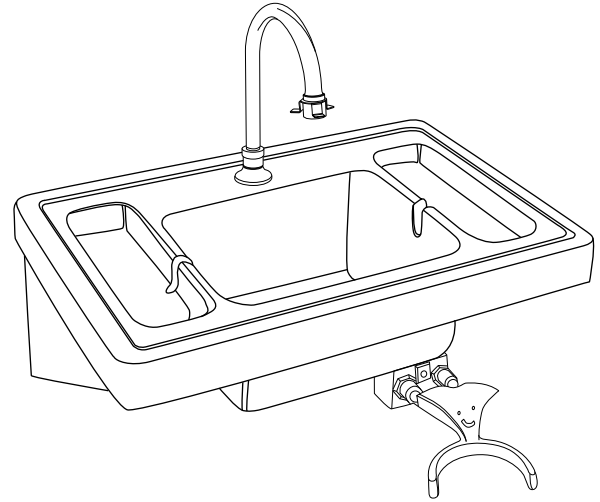
**SPOUT: LK396A.** Chrome plated 10-3/4" (273mm) high gooseneck spout, with AE19A vandal-resistant, anti-hose aerator. (Intermediate piping not included.)

**DRAIN: LK9.** Chrome plated perforated strainer grid. 1-1/4" (32mm) O.D. x 4" (102mm) tailpiece.

**FOLLOWING MODEL DOES NOT INCLUDE FAUCETS AND FITTINGS:**

ESLV2820

SPECIFY FAUCET DRILLINGS AND LOCATION.



Model ESLV2820KC

SEE OTHER SIDE FOR PRODUCT DIMENSIONS.

*In keeping with our policy of continuing product improvement, Elkay reserves the right to change product specifications without notice.*

*This specification describes an Elkay product with design, quality and functional benefits to the user. When making a comparison of other producers' offerings, be certain these features are not overlooked.*

**ROUGH-IN DIMENSIONS**

**DIMENSIONS**

Model Number ESLV2820		
DIMS.	in.	mm
A	28	711
B	20	508
C	3 <sup>3</sup> / <sub>4</sub>	95
D	12	305
E	14	356
F	3	76
G	2 <sup>1</sup> / <sub>4</sub>	57
H	1	25
I	6	152

