

**Surgeon's Lavatory With Instrument Trays,
Wall Mounted, Double Pedal Control
Models ESLV2820FC and ESLV2820**

ELKAY®

SPECIFICATIONS

GENERAL

#16 gauge, type 304 (18-8), stainless steel surgeon's lavatory with integral instrument trays. Lavatory compartment has 1-3/4" (44mm) radius vertical and horizontal covered corners. Exposed surfaces are hand blended to a uniform lustrous satin finish. Underside is sound deadened. Furnished with stainless steel support brackets. Mount unit 1-1/2" (38mm) from wall.

(CHECK MODEL SPECIFIED)

ESLV2820FC

FURNISHED COMPLETE WITH:

SUPPLY: LK398C. Wall hung, chrome plated double pedal valve with mounting package.

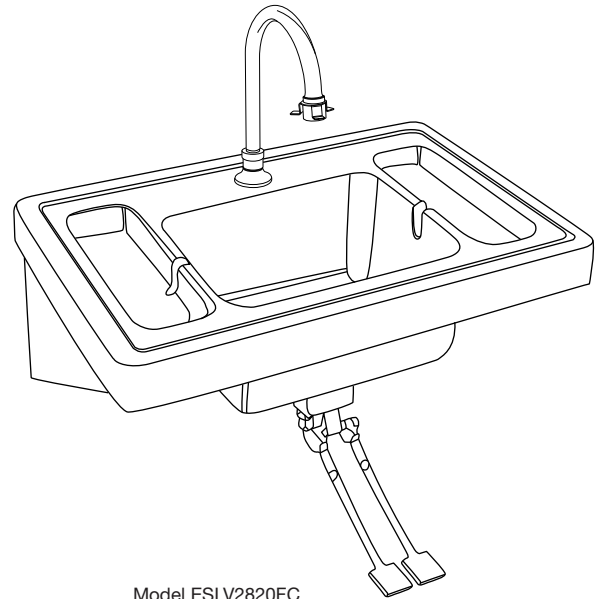
SPOUT: LK396A. Chrome plated 10-3/4" (273mm) high gooseneck spout, AE19A vandal resistant, anti-hose aerator. (Intermediate piping not included.)

DRAIN: LK9. Chrome plated perforated strainer grid. 1-1/4" (32mm) x 4" (102mm) O.D. tailpiece.

FOLLOWING MODEL DOES NOT INCLUDE FAUCETS AND FITTINGS:

ESLV2820

SPECIFY FAUCET DRILLINGS AND LOCATION.



Model ESLV2820FC

SEE OTHER SIDE FOR PRODUCT DIMENSIONS.

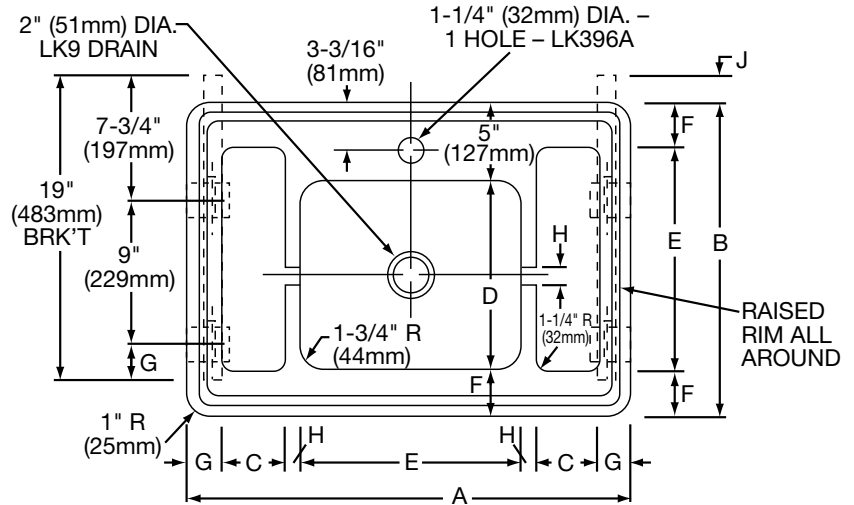
In keeping with our policy of continuing product improvement, Elkay reserves the right to change product specifications without notice.

This specification describes an Elkay product with design, quality and functional benefits to the user. When making a comparison of other producers' offerings, be certain these features are not overlooked.

ROUGH-IN DIMENSIONS

DIMENSIONS

Model Number ESLV2820					
DIMS.	in.	(mm)	DIMS.	in.	(mm)
A	28	711	F	3	76
B	20	508	G	2 1/4	57
C	3 3/4	95	H	1	25
D	12	305	I	6	152
E	14	356	J	1 1/2	38



MOUNTING PACKAGE/FOOT PEDAL					
DIMS.	in.	(mm)	DIMS.	in.	(mm)
(a)	2 1/2	64	(d)	4 15/16	125
(b)	1 17/8	302	(e)	1 1/2	38
(c)	8 3/4	222			

