

**Service Sink, Wall Mounted, With Drainboard
Knee Action Control
Models ESS4924RKC and ESS4924R**



SPECIFICATIONS

GENERAL

#14 gauge, type 304 (18-8), stainless steel service sink with right hand 30" (762mm) drainboard. 1/4" (6mm) radius vertical and horizontal coved corners. 1-1/2" (38mm) rolled rim. Full length 8" (203mm) high backsplash with 45° sloped top. Exposed surfaces are hand blended to a uniform lustrous satin finish. Furnished with wall hanger and stainless steel support brackets. Carries NSF International Certification.

(CHECK MODEL SPECIFIED)

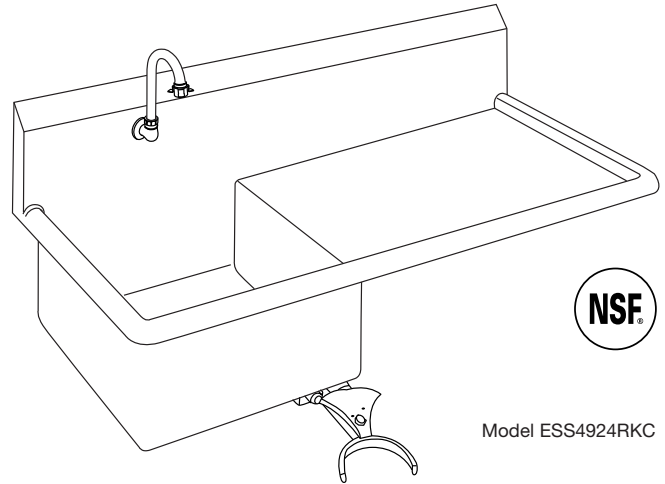
ESS4924RKC

FURNISHED COMPLETE WITH:

SUPPLY: LK397C. Knee action mixing valve with wall mount brackets and mounting package.

SPOUT: LK395A. Chrome plated 8-1/4" (210mm) high goose-neck spout, AE19A vandal-resistant, anti-hose aerator. (Intermediate piping not included.)

DRAIN: LK18B. Stainless steel perforated strainer grid. 1-1/2" (38mm) O.D. x 4" (102mm) stainless steel tailpiece.



Model ESS4924RKC

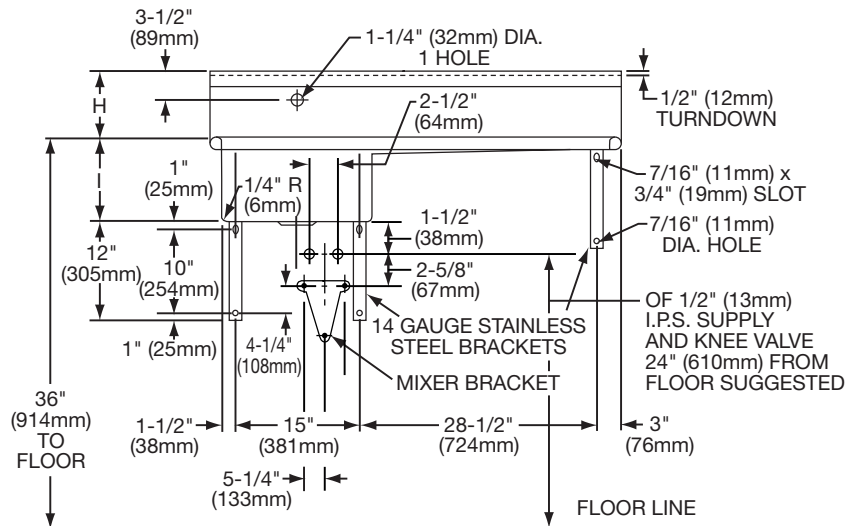
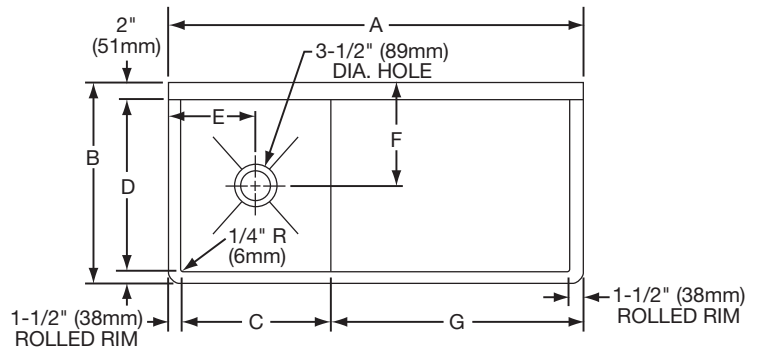
FOLLOWING MODELS DO NOT INCLUDE FAUCETS AND DRAIN:

ESS4924R

SPECIFY FAUCET DRILLINGS AND LOCATION.

DIMENSIONS

Model Number ESS4924R					
DIMS.	in.	mm	DIMS.	in.	mm
A	49 1/2	1257	F	12 1/4	311
B	24	610	G	30	762
C	18	457	H	8	203
D	20 1/2	521	I	10	254
E	10 1/2	267			



In keeping with our policy of continuing product improvement, Elkay reserves the right to change product specifications without notice.

This specification describes an Elkay product with design, quality and functional benefits to the user. When making a comparison of other producers' offerings, be certain these features are not overlooked.