

## SPECIFICATIONS

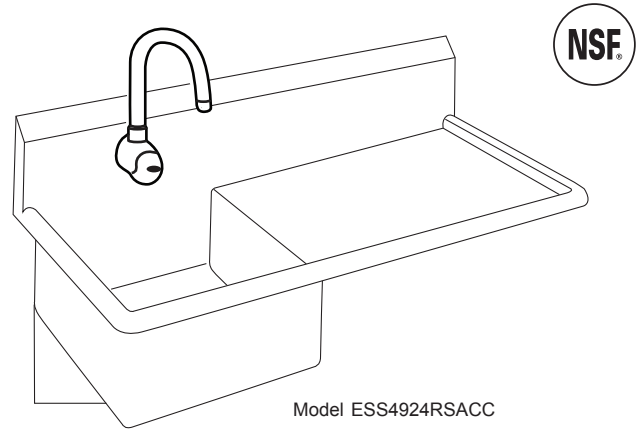
### GENERAL

ESS4924R #14 gauge, type 304 (18-8) stainless steel service sink with right hand 30" (762mm) drainboard. 1/4" (6mm) radius vertical and horizontal coved corners. 1-1/2" (38mm) rolled rim. Full length backsplash with 45° sloped top. Exposed surfaces are hand blended to a uniform satin luster finish. Furnished with wall hanger and stainless steel support brackets. Carries NSF International Certification.

#### (CHECK MODEL SPECIFIED)

MODEL	FAUCET	DRAIN	MIXING VALVE
<input type="checkbox"/> ESS4924RSACC	LKB722C	LK18B	NONE
<input type="checkbox"/> ESS4924RSACMC	LKB722C	LK18B	LK724
<input type="checkbox"/> ESS4924RSACTMC	LKB722C	LK18B	LK723

LKB722C Sensor-operated, non-mixing (tempered water), backsplash-mounted gooseneck faucet with adjustable sensor eyes. A continuous beam is emitted from sensor. The sensor faucet is activated by user placing hands under the spout. Tempered water will flow as long as hands remain within sensor range. When hands are removed, the water stops automatically based on shut off delay settings. The sensor then resets and is ready for the next user. Chrome-plated solid brass body construction with 2.0gpm laminar flow control on spout end. Includes water-resistant sensor control module and power cables. Features dual power options: AC plug-in and battery holder with four AA batteries. Slow-closing piston operated solenoid valve, in-line filter with clean-out trap and flexible supply hose. Control circuit is solid state, has adjustable sensor range of 7/8" (22mm) to 6-3/4" (171mm), shut-off delay preset to 1 second and field adjustable to 2 seconds (to prevent sink overflow).



Model ESS4924RSACC

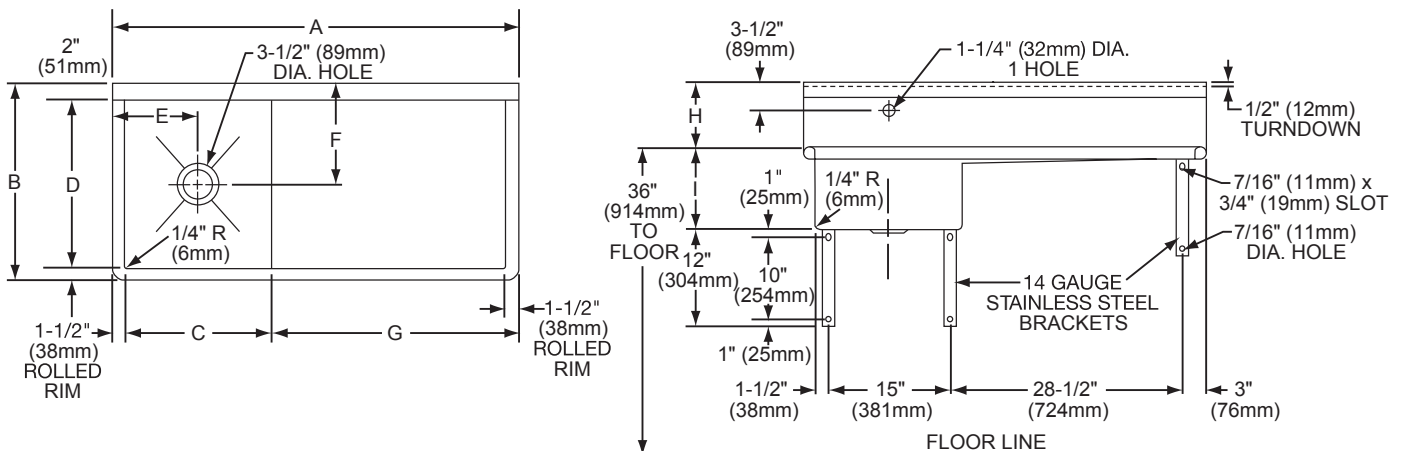
LK18B Stainless steel perforated grid strainer with 1-1/2" (38mm) O.D. stainless steel tailpiece.

LK723 Anti-scald thermostatic mixing valve with nickel-plated brass body 1/2" (13mm) SWT inlets and outlet connections, check valves on inlets and a mixed temperature range of 80°- 120°F. Certified under ASSE1016.

LK724 Mechanical mixing valve with C.P. brass body, 3/8" (10mm) compression inlets and outlet connections, and check valves on inlets.

### DIMENSIONS

Model Number	A		B		C		D		E		F		G		H		I	
	in.	mm	in.	mm	in.	mm	in.	mm	in.	mm	in.	mm	in.	mm	in.	mm	in.	mm
ESS4924R	49 1/2	1257	24	610	18	457	20 1/2	521	10 1/2	267	12 1/4	311	30	762	8	203	10	254



In keeping with our policy of continuing product improvement, Elkay reserves the right to change product specifications without notice.

**ROUGH-IN DIMENSIONS**

