

PRODUCT SPECIFICATIONS

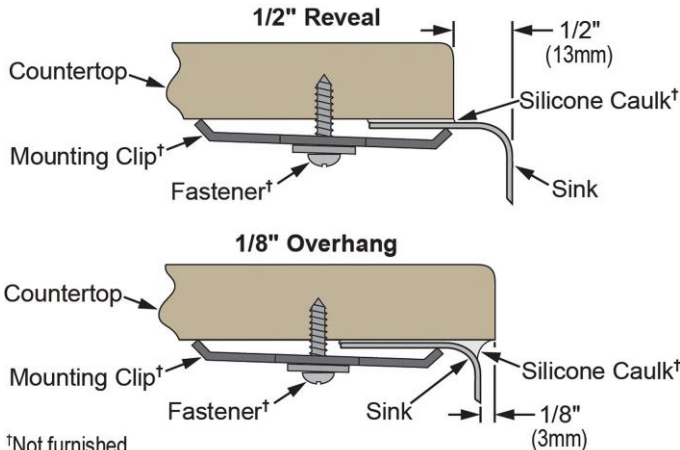
Gourmet (Lustertone®) Stainless Steel Double Bowl Undermount Sink Kit. Overall dimensions are 30-3/4" x 18-1/2" x 10". Sink is manufactured from 18 gauge 304 Stainless Steel with a Lustrous Highlighted Satin finish, Rear Center drain placement and SoundGuard®.

Installation Type:	Undermount
Material:	304 Stainless Steel
Special Features:	Perfect Drain
Finish:	Lustrous Highlighted Satin
Gauge:	18
Sound Deadening:	SoundGuard®
Number of Bowls:	2
Sink Dimensions:	30-3/4" x 18-1/2" x 10"
Bowl 1 Dimensions:	13-1/2" x 16" x 10"
Bowl 2 Dimensions:	13-1/2" x 16" x 7-7/8"
Drain Size:	3-3/8" (86mm)
Drain Location:	Rear Center
Minimum Cabinet Size:	36"
Mounting Hardware:	Undermount brackets sold separately
Template Included:	Yes
Cutout Template #:	1000001312

Template is available for download at [elkay.com](#)

Perfect Drain: Seamlessly welded stainless steel collar eliminates the gap between a traditional drain and the sink for a sanitary and gap free installation. An InSinkErator® garbage disposer can be installed on either sink bowl for user convenience. **Patent Pending**

Installation Profile:



†Not furnished
Designed to affix to the underside of any solid surface countertop.

PART: _____ QTY: _____
 PROJECT: _____
 CONTACT: _____
 DATE: _____
 NOTES: _____
 APPROVAL: _____



Included with Product: ELUH311810RPD sink, one LKWOBG1316SS bottom grid, two LKPD1 Perfect Drain Strainer Assemblies

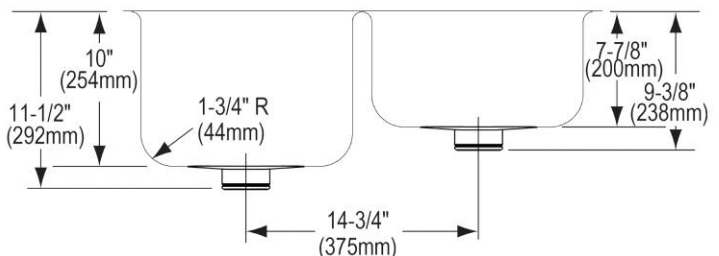
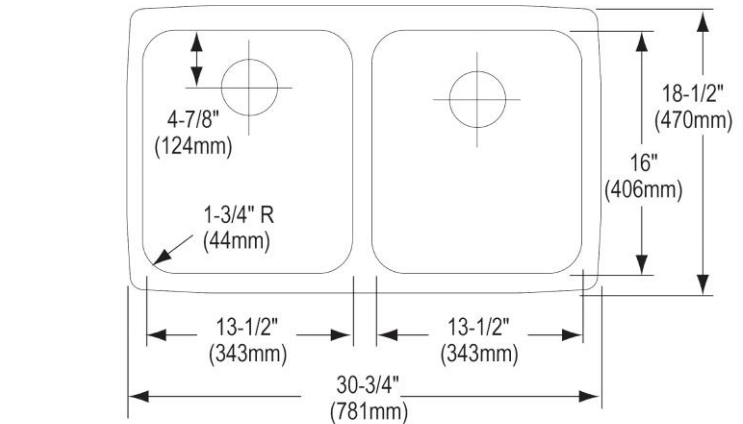
AMERICAN PRIDE. A LIFETIME TRADITION. Like your family, the Elkay family has values and traditions that endure. For almost a century, Elkay has been a family-owned and operated company, providing thousands of jobs that support our families and communities.



Product Compliance: BUY AMERICAN ACT
 ASME A112.19.3/CSA B45.4
 Accessory: ASME A112.18.2/CSA B125.2

[Clean and Care Manual \(PDF\)](#)
[Installation Instructions \(PDF\) - 1000002045](#)
[Installation Instructions \(PDF\) - 74180289 Disposer](#)
[Installation Instructions \(PDF\) - 74180340-USA Drain](#)
[Limited Lifetime Warranty \(PDF\)](#)

Similar models are available with:
 small bowl on the opposite side



In keeping with our policy of continuing product improvement, Elkay reserves the right to change product specifications without notice. Please visit [elkay.com](#) for the most current version of Elkay product specification sheets. This specification describes an Elkay product with design, quality, and functional benefits to the user. When making a comparison of other producers' offerings, be certain these features are not overlooked.

OPTIONAL ACCESSORIES

Bottom Grid:	LKWOBG1316SS
Cutting Board:	CB1613*, CB1713*, CBR1316*, CBS1316*
Faucet:	LKGT1041, LKGT2041
Hardware:	LKUCLIP8 (2 Required)
Rinsing Basket:	LKWRB1316SS, LKWERBSS
Sinkmate:	LKSM17, LKSMHOOK, LKSMSPONGE, LKSMHSL
Soap Dispenser:	LKGT1054

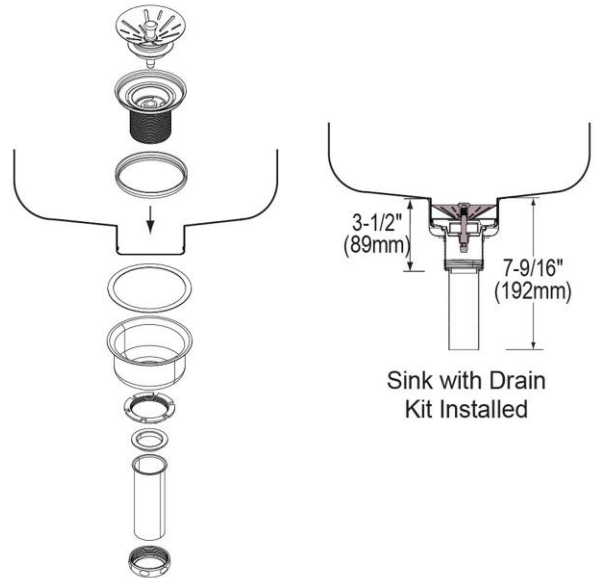
* 1/2" sink reveal required for proper fit.

in sink erator®

Elkay® Perfect Drain™ sinks are designed and approved for compatible disposers manufactured by InSinkErator® utilizing the Quick Lock® mounting configuration. Use of non-approved disposers may void Elkay warranty.

InSinkErator, Quick Lock and the mounting collar configuration are trademarks of Emerson Electric Co.





Sink with Drain Kit Installed

In keeping with our policy of continuing product improvement, Elkay reserves the right to change product specifications without notice. Please visit elkay.com for the most current version of Elkay product specification sheets. This specification describes an Elkay product with design, quality, and functional benefits to the user. When making a comparison of other producers' offerings, be certain these features are not overlooked.