

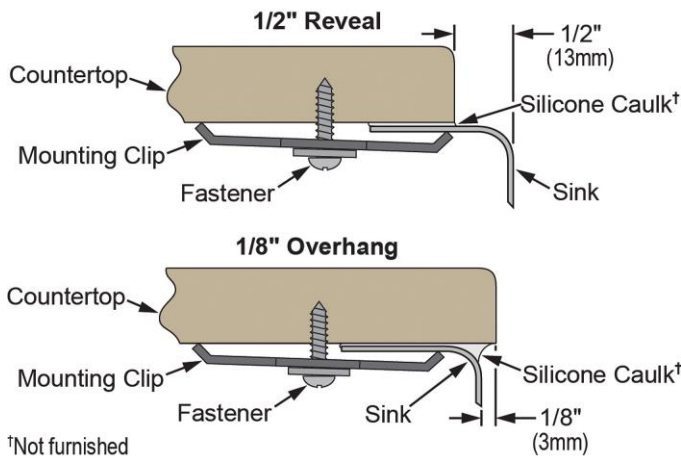
PRODUCT SPECIFICATIONS

Harmony™ Stainless Steel Double Bowl Undermount Sink Kit.
Overall dimensions are 31-1/4" x 20" x 8". Sink is manufactured from 18 gauge 304 Stainless Steel with a Soft Highlighted Satin finish, Rear Center drain placement and SoundGuard.

Installation Type:	Undermount
Material:	304 Stainless Steel
Finish:	Soft Highlighted Satin
Gauge:	18
Sound Deadening:	SoundGuard
Number of Bowls:	2
Sink Dimensions:	31-1/4" x 20" x 8"
Bowl 1 Dimensions:	11-1/2" x 15" x 8"
Bowl 2 Dimensions:	16" x 17-1/2" x 8"
Drain Size:	3-1/2" (89mm)
Drain Location:	Rear Center
Minimum Cabinet Size:	36"
Mounting Hardware:	Part # 54300008 included
Template Included:	Yes
Cutout Template #:	1000000592

Template is available for download at [elkay.com](#)

Installation Profile:



†Not furnished
Designed to affix to the underside of any solid surface countertop.



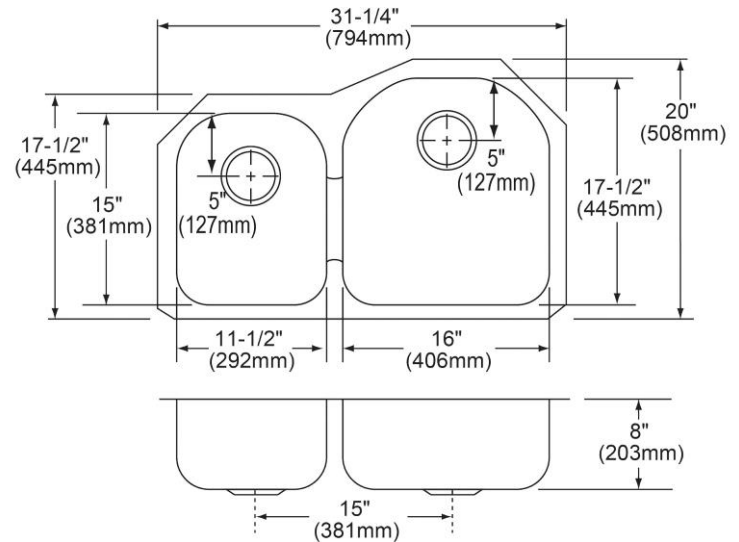
Included with Product: EGUH3119L sink,
one LKWOBG1617SS bottom grid,
one LK99 drain

AMERICAN PRIDE. A LIFETIME TRADITION.
Like your family, the Elkay family has values and traditions that endure. For almost a century, Elkay has been a family-owned and operated company, providing thousands of jobs that support our families and communities.

Product Compliance: ASME A112.19.3/CSA B45.4
Accessory: ASME A112.18.2/CSA B125.2

[Clean and Care Manual \(PDF\)](#)
[Installation Instructions \(PDF\) - 74180195](#)
[Installation Instructions \(PDF\) - 74210010_Drain](#)
[Limited Lifetime Warranty \(PDF\)](#)

Similar models are available with: extra deep bowls,
small bowl on the opposite side



PART: _____ QTY: _____
PROJECT: _____
CONTACT: _____
DATE: _____
NOTES: _____
APPROVAL: _____

In keeping with our policy of continuing product improvement, Elkay reserves the right to change product specifications without notice. Please visit [elkay.com](#) for the most current version of Elkay product specification sheets. This specification describes an Elkay product with design, quality, and functional benefits to the user. When making a comparison of other producers' offerings, be certain these features are not overlooked.

OPTIONAL ACCESSORIES

Bottom Grid:	LKWOBG1115SS
Cutting Board:	CB1713
Faucet:	LKHA1031, LKHA2031, LKHA3041
Rinsing Basket:	LKWRB1617SS, LKWERBSS, LKWRB1115SS
Sinkmate:	LKSM17, LKSMHOOK, LKSMSPONGE, LKSMHSL
Soap Dispenser:	LKHA1054

In keeping with our policy of continuing product improvement, Elkay reserves the right to change product specifications without notice. Please visit elkay.com for the most current version of Elkay product specification sheets. This specification describes an Elkay product with design, quality, and functional benefits to the user. When making a comparison of other producers' offerings, be certain these features are not overlooked.