

**Lavatory Sink With Overflow**  
**Wall Mounted With Sensor Faucet**  
**AC/Battery Powered, Models ELVWO2219SACC,**  
**ELVWO2219SACMC and ELVWO2219SACTMC**



**SPECIFICATIONS**

**GENERAL**

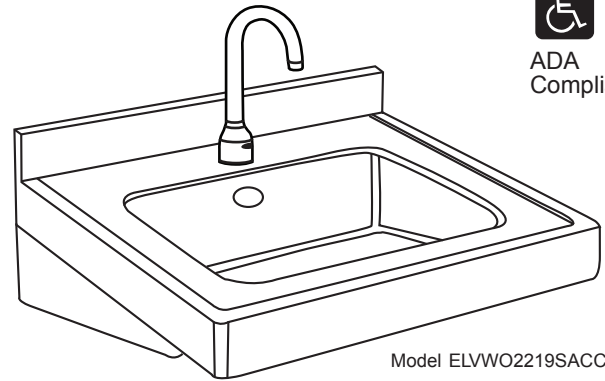
ELVWO2219 #18 gauge, type 304 (18-8) stainless steel lavatory with 5/32" (4mm) raised rim and 2-1/2" (64mm) high back-splash. Compartment has 1-3/4" (44mm) radius vertical and horizontal coved corners. 2-1/2" (64mm) apron at front and both sides. Exposed surfaces are hand blended to a uniform satin luster finish. Rear centered outlet. Drain opening 1-5/8" (41mm). Underside is sound deadened. Furnished with integral stainless steel support brackets and separate wall hanger. With connected overflow. Meets ADA requirements.

(CHECK MODEL SPECIFIED)

MODEL	FAUCET	MIXING VALVE
<input type="checkbox"/> ELVWO2219SACC	LKB721C	NONE
<input type="checkbox"/> ELVWO2219SACMC	LKB721C	LK724
<input type="checkbox"/> ELVWO2219SACTMC	LKB721C	LK723

LKB721C Sensor-operated, deck-mounted, non-mixing goose-neck faucet with adjustable sensor eyes. A continuous beam is emitted from sensor and faucet is activated when hands are placed under the spout. Water will flow as long as hands remain within sensor range. When hands are removed, the water stops automatically based on shut-off delay setting. The sensor then resets for the next user.

Chrome-plated solid brass construction with 2.0gpm laminar flow control on spout end. Includes water-resistant sensor control module and power cables. Features dual power options: AC plug-in and battery holder with four AA batteries. Slow-closing piston operated solenoid valve, in-line filter with clean out trap and flexible supply hose. Control circuit is solid



  
**ADA Compliant**

Model ELVWO2219SACC

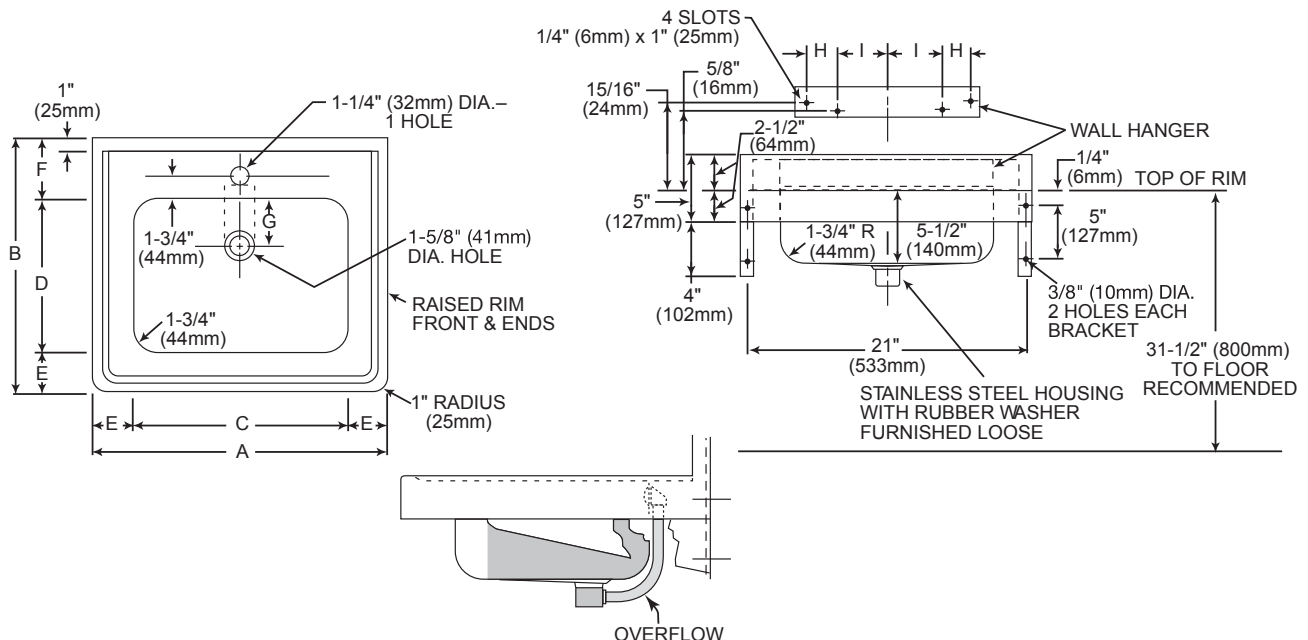
state, has adjustable sensor range of 7/8" (22mm) to 6-3/4" (171mm), shut-off delay preset at 1 second and field adjustable to 2 seconds (to prevent sink overflow).

LK723 Anti-scald thermostatic mixing valve with nickel-plated brass body 1/2" (13mm) SWT inlets and outlet connections, check valves on inlets and a mixed temperature range of 80°-120°F. Certified under ASSE1016.

LK724 Mechanical mixing valve with C.P. brass body, 3/8" (10mm) compression inlets and outlet connections, and check valves on inlets.

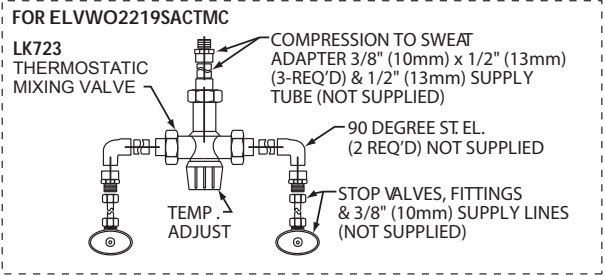
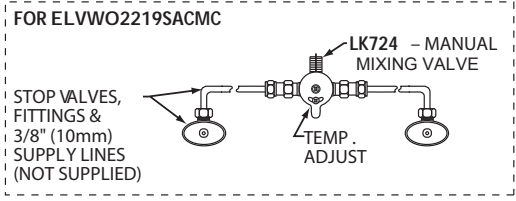
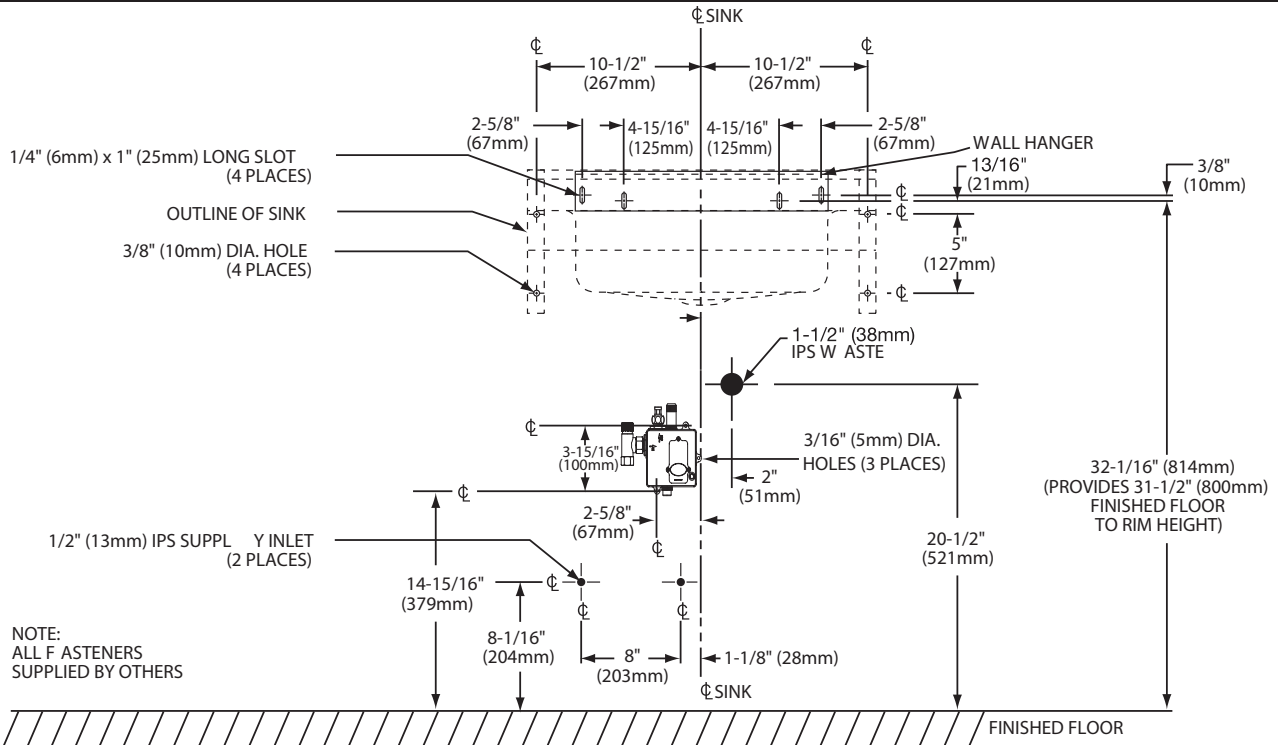
**DIMENSIONS**

Model Number	A		B		C		D		E		F		G		H		I	
	in.	mm	in.	mm	in.	mm	in.	mm	in.	mm	in.	mm	in.	mm	in.	mm	in.	mm
ELVWO2219	22	559	19	483	16	406	11 1/2	292	3	76	4 1/2	114	3 1/2	89	2 5/8	67	4 15/16	125



In keeping with our policy of continuing product improvement, Elkay reserves the right to change product specifications without notice.

**ROUGH-IN DIMENSIONS**



NOTE:  
 USE TEFLON TAPE FOR ALL WATER CONNECTIONS.  
 DO NOT USE PIPE DOPE.

