

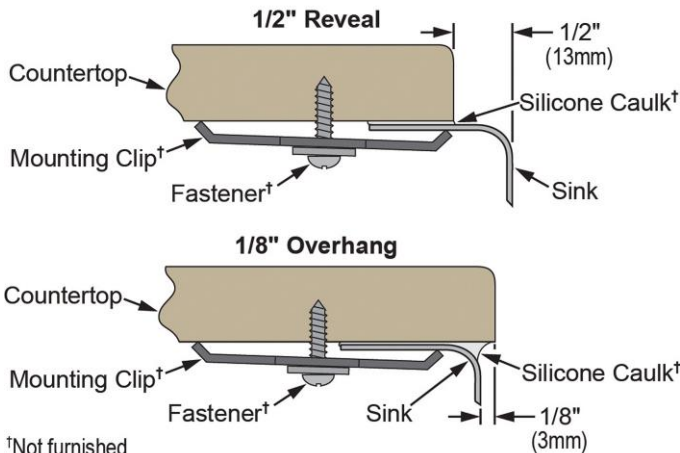
PRODUCT SPECIFICATIONS

Gourmet (Lustertone®) Stainless Steel Single Bowl Undermount Sink. Overall dimensions are 16-1/2" x 20-1/2" x 9-7/8". Sink is manufactured from 18 gauge 304 Stainless Steel with a Lustrous Highlighted Satin finish, Rear Center drain placement and SoundGuard®.

Installation Type:	Undermount
Material:	304 Stainless Steel
Special Features:	Work Shelf
Finish:	Lustrous Highlighted Satin
Gauge:	18
Sound Deadening:	SoundGuard®
Number of Bowls:	1
Sink Dimensions:	16-1/2" x 20-1/2" x 9-7/8"
Bowl 1 Dimensions:	14" x 18" x 9-7/8"
Drain Size:	3-1/2" (89mm)
Drain Location:	Rear Center
Minimum Cabinet Size:	21"
Mounting Hardware:	Undermount brackets sold separately
Template Included:	Yes
Cutout Template #:	100001307

Template is available for download at [elkay.com](#)

Installation Profile:



†Not furnished

Designed to affix to the underside of any solid surface countertop.



Included with Product: LKWS1418SS work shelf

AMERICAN PRIDE. A LIFETIME TRADITION.
Like your family, the Elkay family has values and traditions that endure. For almost a century, Elkay has been a family-owned and operated company, providing thousands of jobs that support our families and communities.



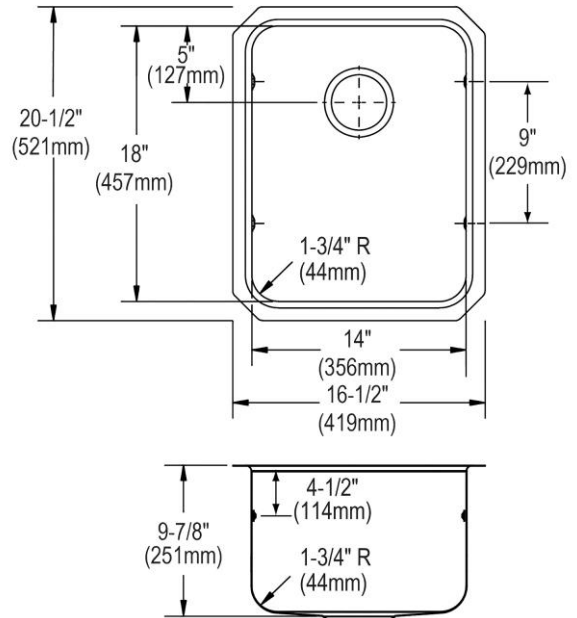
Product Compliance: BUY AMERICAN ACT
ASME A112.19.3/CSA B45.4

[Clean and Care Manual \(PDF\)](#)

[Installation Instructions \(PDF\)](#)

[Limited Lifetime Warranty \(PDF\)](#)

Similar models are available with: Perfect Drain



PART: _____ QTY: _____

PROJECT: _____

CONTACT: _____

DATE: _____

NOTES: _____

APPROVAL: _____

In keeping with our policy of continuing product improvement, Elkay reserves the right to change product specifications without notice. Please visit [elkay.com](#) for the most current version of Elkay product specification sheets. This specification describes an Elkay product with design, quality, and functional benefits to the user. When making a comparison of other producers' offerings, be certain these features are not overlooked.

OPTIONAL ACCESSORIES

Bottom Grid:	LKWOBG1418SS
Cutting Board:	CBR1418*, CBS1418*
Drain:	LK99
Faucet:	LKGT1042, LKGT2042
Hardware:	LKUCLIP8
Rinsing Basket:	LKWWRB1418SS, LKWERBSS
Sinkmate:	LKSM17, LKSMHOOK, LKSMSPONGE, LKSMHSL
Soap Dispenser:	LKGT1054
* 1/2" sink reveal required for proper fit.	

In keeping with our policy of continuing product improvement, Elkay reserves the right to change product specifications without notice. Please visit elkay.com for the most current version of Elkay product specification sheets. This specification describes an Elkay product with design, quality, and functional benefits to the user. When making a comparison of other producers' offerings, be certain these features are not overlooked.