

PRODUCT SPECIFICATIONS

Gourmet (Lustertone®) Stainless Steel Single Bowl Undermount Sink Kit. Overall dimensions are 23-1/2" x 18-1/4" x 7-1/2". Sink is manufactured from 18 gauge 304 Stainless Steel with a Lustrous Highlighted Satin finish, Rear Center drain placement and SoundGuard®.

| | |
|------------------------------|-------------------------------------|
| Installation Type: | Undermount |
| Material: | 304 Stainless Steel |
| Special Features: | Perfect Drain, e-dock |
| Finish: | Lustrous Highlighted Satin |
| Gauge: | 18 |
| Sound Deadening: | SoundGuard® |
| Number of Bowls: | 1 |
| Sink Dimensions: | 23-1/2" x 18-1/4" x 7-1/2" |
| Bowl 1 Dimensions: | 21" x 15-3/4" x 7-1/2" |
| Drain Size: | 3-3/8" (86mm) |
| Drain Location: | Rear Center |
| Minimum Cabinet Size: | 27" |
| Mounting Hardware: | Undermount brackets sold separately |
| Template Included: | Yes |
| Cutout Template #: | 1000001400 |

Template is available for download at elkay.com

Perfect Drain: Seamlessly welded stainless steel collar eliminates the gap between a traditional drain and the sink for a sanitary and gap free installation. An InSinkErator® garbage disposer can be installed on either sink bowl for user convenience.. **Patent Pending**

e-dock sinks have been designed to allow stainless steel accessories to be magnetically positioned on any of the four side-walls of the sink. Each e-dock sink is shipped with the stainless steel hook accessory (LKEKHOOK). Additional e-dock accessories are available. **Patent Pending**

Warning: This product contains magnets. Keep away from credit cards, computer hard drives, magnetic I.D. cards, and other magnetic media. Magnets may interfere with medical devices such as pacemakers. Consult your physician before use. Pinch hazard - magnets can jump out of your hands and snap together from a surprising distance before you realize what's happening.



Included with Product: LKPD1 Perfect Drain Strainer Assembly, LKEKHOOK eDock Hook

AMERICAN PRIDE. A LIFETIME TRADITION. Like your family, the Elkay family has values and traditions that endure. For almost a century, Elkay has been a family-owned and operated company, providing thousands of jobs that support our families and communities.

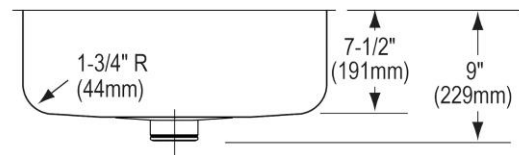
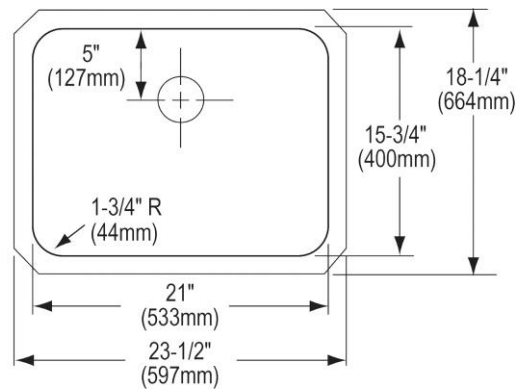


Sinks are listed by IAPMO® as meeting the applicable requirements of the Uniform Plumbing Code®, International Plumbing Code®, and National Plumbing Code of Canada.

Product Compliance: BUY AMERICAN ACT
ASME A112.19.3/CSA B45.4
Accessory: ASME A112.18.2/CSA B125.2

[Clean and Care Manual \(PDF\)](#)
[Installation Instructions \(PDF\) - 1000002045](#)
[Installation Instructions \(PDF\) - 74180289 Disposer](#)
[Installation Instructions \(PDF\) - 74180340-USA Drain](#)
[Limited Lifetime Warranty \(PDF\)](#)

Similar models are available with: extra deep bowls



PART: _____ QTY: _____
PROJECT: _____
CONTACT: _____
DATE: _____
NOTES: _____
APPROVAL: _____

In keeping with our policy of continuing product improvement, Elkay reserves the right to change product specifications without notice. Please visit elkay.com for the most current version of Elkay product specification sheets. This specification describes an Elkay product with design, quality, and functional benefits to the user. When making a comparison of other producers' offerings, be certain these features are not overlooked.

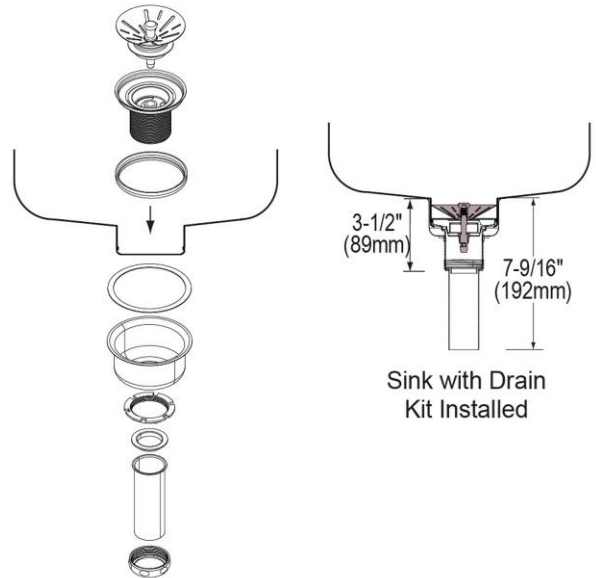
e-dock ACCESSORIES*

| Model Number | Description | Overall | | | Material |
|--------------|----------------|-------------------|-------------------|------------------|-----------------|
| | | L | W | D | |
| LKEKSPONGE | Sponge Holder | 3-1/2 (89mm) | 1-1/4 (32mm) | 3-1/8 (79mm) | Stainless Steel |
| LKEKLEDGE | Ledge | 2-5/8 (67mm) | 3-1/2 (89mm) | 3-7/8 (98mm) | Stainless Steel |
| LKEKHOOK | Hook | 1-3/4 (44mm) | 1-1/8 (29mm) | 2-7/16 (62mm) | Stainless Steel |
| LKEKUTENSIL | Utensil Holder | 3 (76mm) | 2-1/2 (51mm) | 5-3/8 (137mm) | Stainless Steel |
| LKDEK35 | Disposal Cover | 2-11/16 (68mm) | 2-11/16 (68mm) | 1-1/4 (32mm) | Stainless Steel |

*Furnished with magnet (LKEKMAGNET)

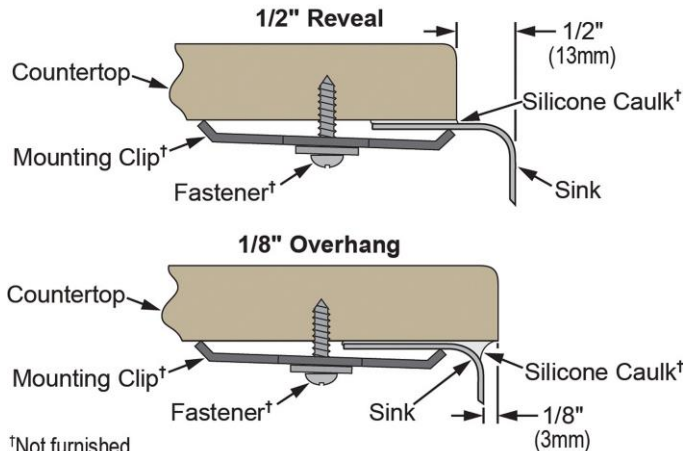


LKEKSPONGE LKEKLEDGE LKEKHOOK LKEKUTENSIL LKDEK35



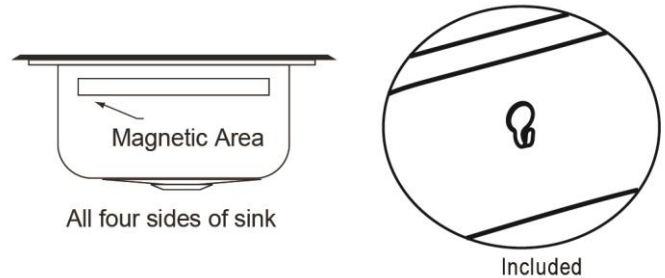
Sink with Drain
Kit Installed

Installation Profile:



†Not furnished

Designed to affix to the underside of any solid surface countertop.



All four sides of sink

Included

OPTIONAL ACCESSORIES

| | |
|------------------------|--|
| Bottom Grid: | LKWOBG2115SS |
| Cutting Board: | CB1516* |
| Faucet: | LKGT1041, LKGT2041 |
| Hardware: | LKUCLIP8 |
| Rinsing Basket: | LKWRB2115SS, LKWERBSS |
| Sinkmate: | LKDEK35, LKEKLEDGE, LKEKSPONGE, LKEKUTENSIL |
| Soap Dispenser: | LKGT1054 |

* 1/2" sink reveal required for proper fit.

in sink erator™

Elkay® Perfect Drain™ sinks are designed and approved for compatible disposers manufactured by InSinkErator® utilizing the Quick Lock® mounting configuration. Use of non-approved disposers may void Elkay warranty.

InSinkErator, Quick Lock and the mounting collar configuration are trademarks of Emerson Electric Co.



In keeping with our policy of continuing product improvement, Elkay reserves the right to change product specifications without notice. Please visit elkay.com for the most current version of Elkay product specification sheets. This specification describes an Elkay product with design, quality, and functional benefits to the user. When making a comparison of other producers' offerings, be certain these features are not overlooked.