

ELKAY® SPECIFICATIONS

Triple Station Freeze Resistant Fountain Wall Mount – Barrier-Free Access Model EDFPVR320RFPK (White Granite)

GENERAL

With a contemporary look and smooth, rounded lines, this freeze resistant wall mounted drinking fountain is constructed of a premium composite, solid surface material. Available in White Granite.

Contoured basin minimizes splashing and includes heavy duty vandal-resistant bubblers which are keyed in location to prevent rotation. Easy to operate, fully functional push-buttons are vandal-resistant. Bottom cover plate included.

Includes free resistant box to be mounted on an interior heated wall where the temperature does not drop below 50°F (10°C).

THIS DRINKING FOUNTAIN COMPLIES WITH THE REQUIREMENTS OF A.D.A. (AMERICANS WITH DISABILITIES ACT) WHEN PROPERLY INSTALLED.

NO LEAD DESIGN

THIS DRINKING FOUNTAIN COMPLIES WITH THE LEAD-FREE DEFINITION IN THE SAFE DRINKING WATER ACT.

Elkay Drinking Fountains are manufactured with a waterway system utilizing copper components and completely lead-free material. These waterways have no lead because all leaded materials, such as leaded brass, have been removed.

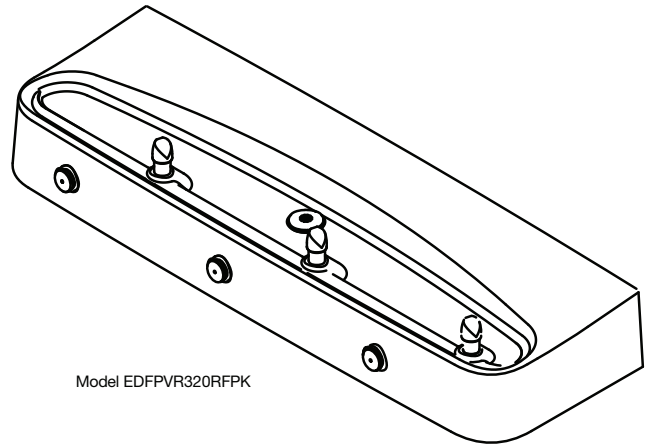
CONSTRUCTION

EDFPVR320RFP furnished complete with vandal-resistant bubblers, heavy-duty push buttons, bottom cover plate and concealed drain.

LKTRFB1 includes box with separate front louvered panel. Flow regulator provides constant stream from 20 to 105 psi water pressure.

STANDARDS

This fountain is certified by WQA to lead-free compliance including **NSF/ANSI 61-ANNEX G, AB 1953.**



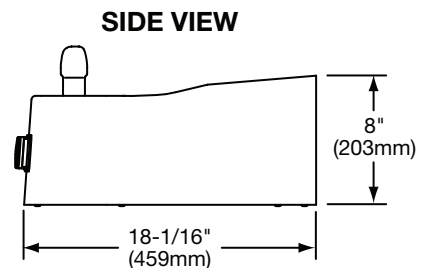
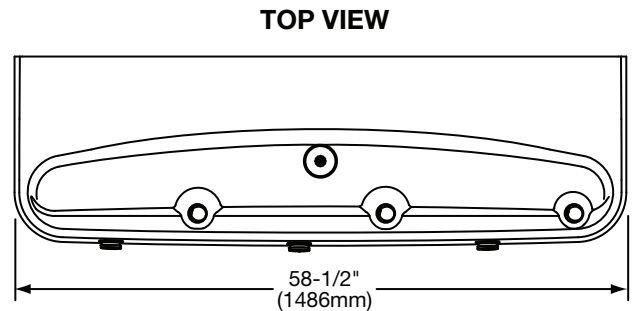
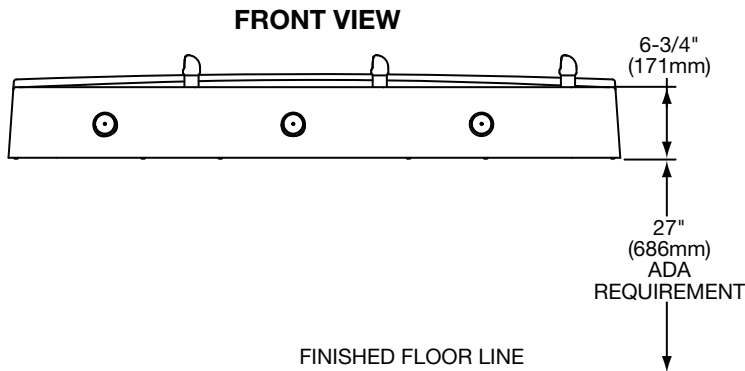
Model EDFPVR320RFPK

Care and Maintenance of Elkay Composite Fountains

The premium composite fountain provides an extremely durable, nonporous surface which resists staining. Care is very simple. Routine cleaning with a soft sponge or cloth, or with water or non-abrasive aerosol foam cleaner, is all that is normally needed to give many years of trouble free service. Cleaners left standing on the fountain surface can dull the surface finish. Be certain to rinse all cleaning agents completely and polish with a soft cloth. Harsh abrasive cleaners are not required and should not be used.

Mild abrasives such as liquid automotive cleaning compound or baking soda paste will remove simple scratches and stains. Cigarette burns can normally be removed without noticeable effect. Deeper scratches or gouges can be corrected with fine grit sandpaper (240 grit then 400 grit) or a green scotchbrite pad.

To maintain or regain luster and make cleaning easier, periodic applications of automobile wax or like products will keep the finish looking like new.



In keeping with our policy of continuing product improvement, Elkay reserves the right to change product specifications without notice. Please visit elkayusa.com for most current version of Elkay product specification sheets.

This specification describes an Elkay product with design, quality and functional benefits to the user. When making a comparison of other producers' offerings, be certain these features are not overlooked.

Elkay

elkayusa.com

2222 Camden Court
Oak Brook, IL 60523

Printed in U.S.A.
©2011 Elkay

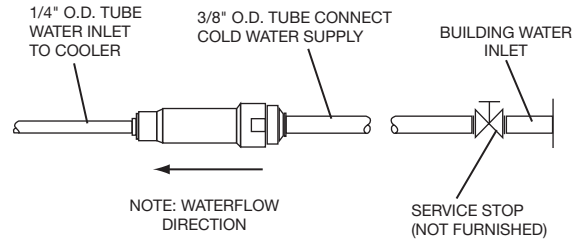
(Rev. 4/11) 14-54A

**Triple Station Freeze Resistant Fountain
Wall Mount – Barrier-Free Access
Model EDFPVR320RFPK (White Granite)**

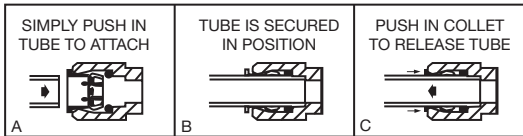
**ELKAY®
ROUGH-IN DIMENSIONS**

INSTALLER NOTE

THIS DRINKING FOUNTAIN IS FURNISHED WITH A BUBBLER AND VALVE INCLUDING ALL CONNECTING FITTINGS WHICH ARE MANUFACTURED OF COMPLETELY LEAD FREE MATERIAL. SHUT OFF VALVE (NOT FURNISHED) TO ACCEPT 3/8" O.D. UNPLATED COPPER TUBE.

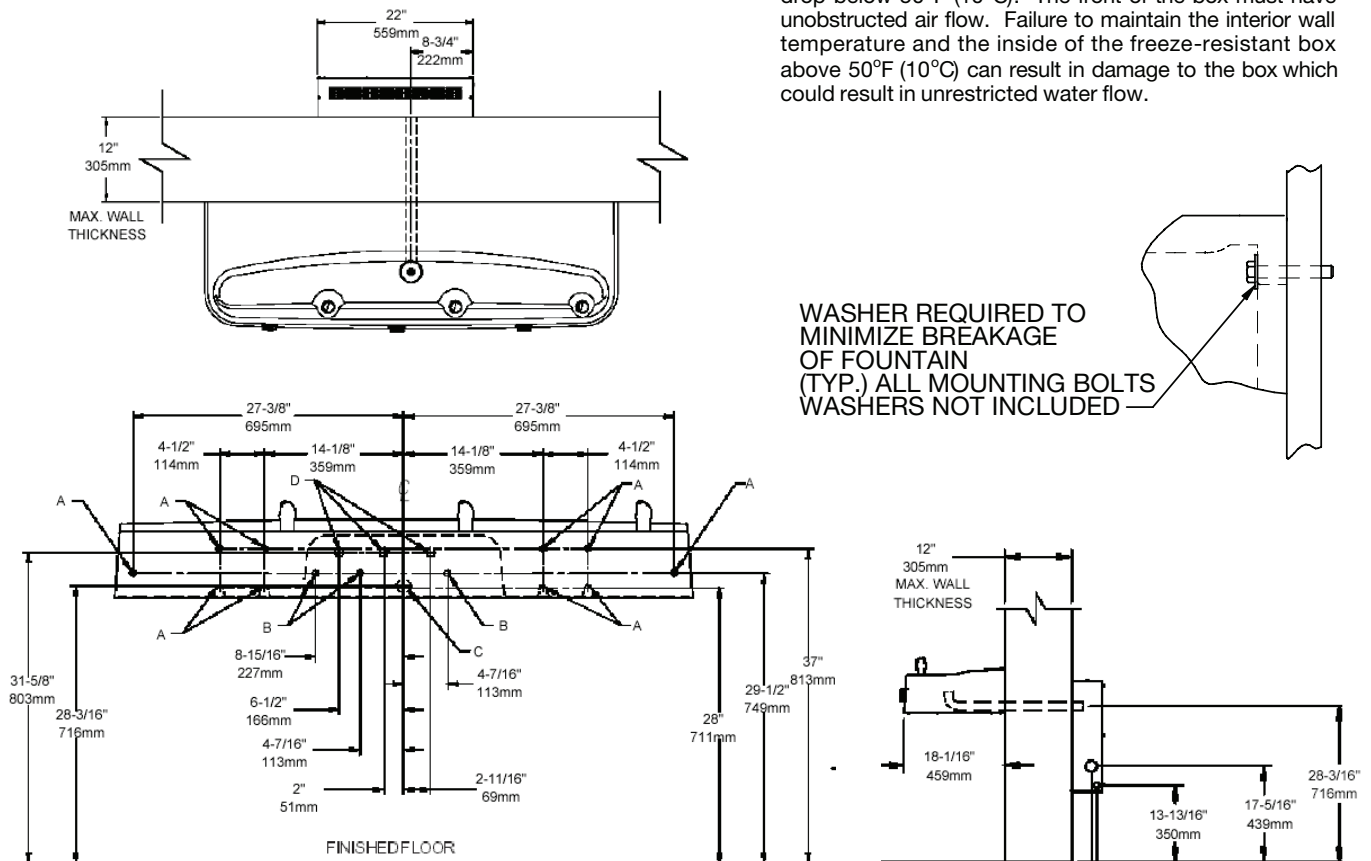


OPERATION OF QUICK CONNECT FITTINGS



PUSHING TUBE IN BEFORE PULLING IT OUT HELPS TO RELEASE TUBE

WARNING: The freeze-resistant box must be installed on an interior heated wall where the temperature does not drop below 50°F (10°C). The front of the box must have unobstructed air flow. Failure to maintain the interior wall temperature and the inside of the freeze-resistant box above 50°F (10°C) can result in damage to the box which could result in unrestricted water flow.



WASHER REQUIRED TO MINIMIZE BREAKAGE OF FOUNTAIN (TYP.) ALL MOUNTING BOLTS WASHERS NOT INCLUDED

LEGEND

- A = HOLE LOCATIONS FOR SECURING FOUNTAIN TO WALL
- B = 7/8" DIA. (22mm) HOLE FOR OPERATING CABLE
- C = 1-3/4" (44mm) HOLE FOR WASTE LINE
- D = 7/8" DIA. (22mm) HOLE FOR WATER SUPPLY TUBE