

# ELKAY<sup>®</sup>

## SPECIFICATIONS

### Gourmet e-dock™ Undermount Sink with Perfect Drain™

### Model ELU2115PDK and ELUH2115PDK Series

#### GENERAL

Highest quality sink formed of #18 (1.2mm) gauge, type 304 (18-8) nickel bearing stainless steel. **Perfect Drain and e-dock.** Undermount.

#### DESIGN FEATURES

Bowl Depth: 7-1/2" (200mm), Overall depth: 9" (229mm) (ELU[H]2115)  
10" (254mm), Overall depth: 11-1/2" (292mm)(ELU[H]211510).

Coved Corners: 1-3/4" (44mm) vertical and horizontal radius.

Finish ELU2115: Exposed surfaces are hand blended to a Lustrous Satin finish.

Finish ELUH2115: Exposed surfaces are hand blended to a Lustrous Highlighted Satin finish.

Underside: Fully protected by Sound Guard<sup>®</sup> undercoating to reduce condensation and dampen sound.

**Perfect Drain:** Seamlessly welded stainless steel collar eliminates the gap between a traditional drain and the sink for a sanitary and gap free installation. Each sink shipped with one LKPD1 drain kit, or a garbage disposer can be installed on sink bowl for user convenience.

#### Patent Pending.

**e-dock** sinks have been designed to allow stainless steel accessories to be magnetically positioned on any of the four sidewalls of the sink. Each e-dock sink is shipped with the stainless steel hook accessory (LKEKHOOK). Additional e-dock accessories are available.

#### Patent Pending

#### OTHER

Drain opening: 3-3/8" (86mm)

NOTE: All Elkay undermount sinks are designed to affix to the underside of any solid surface countertop.

Waste Fitting complies with ASME A112.18.2/CAN/CSA-B125.2

Sink complies with ASME A112.19.3-2008 / CSA B45.4-08.



These sinks are listed by the International Association of Plumbing and Mechanical Officials as meeting the requirements of the Uniform Plumbing Code and the National Plumbing Code of Canada.

#### e-dock ACCESSORIES\*

Model Number	Description	Overall			Material
		L	W	D	
LKEKSPONGE	Sponge Holder	3-1/2 (89mm)	1-1/4 (32mm)	3-1/8 (79mm)	Stainless Steel
LKEKLEDGE	Ledge	2-5/8 (67mm)	3-1/2 (89mm)	3-7/8 (98mm)	Stainless Steel
LKEKHOOK	Hook	1-3/4 (44mm)	1-1/8 (29mm)	2-7/16 (62mm)	Stainless Steel
LKEKUTENSIL	Utensil Holder	3 (76mm)	2-1/2 (51mm)	5-3/8 (137mm)	Stainless Steel
LKDEK35	Disposal Cover	2-11/16 (68mm)	2-11/16 (68mm)	1-1/4 (32mm)	Stainless Steel

\*Furnished with magnet (LKEKMAGNET)



LKEKSPONGE



LKEKLEDGE



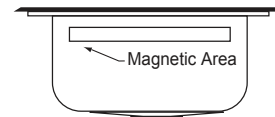
LKEKHOOK



LKEKUTENSIL



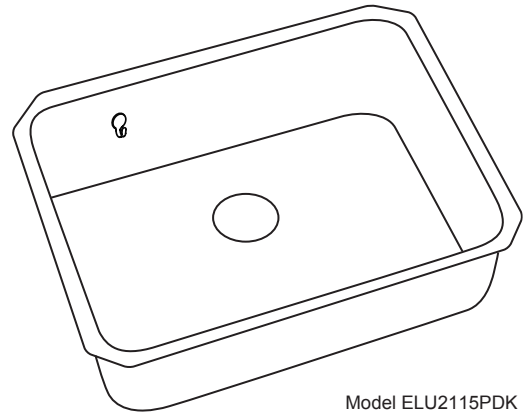
LKDEK35



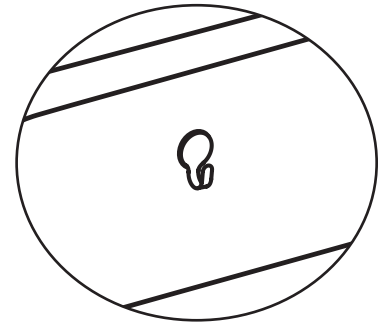
All four sides of sink



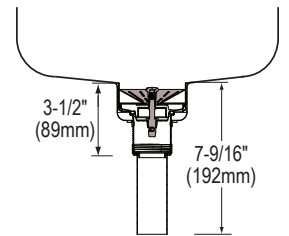
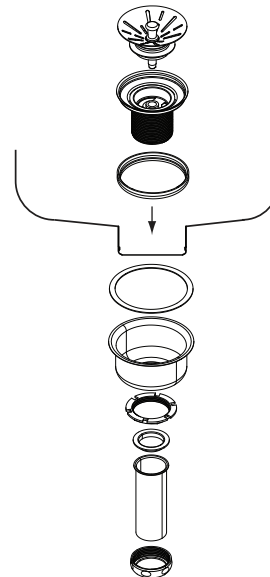
SINKS ARE MADE IN THE USA



Model ELU2115PDK



Included



Sink with Drain Kit Installed

**Warning:** This product contains magnets. Keep away from credit cards, computer hard drives, magnetic I.D. cards, and other magnetic media. Magnets may interfere with medical devices such as pacemakers. Consult your physician before use. Pinch hazard - magnets can jump out of your hands and snap together from a surprising distance before you realize what's happening.

In keeping with our policy of continuing product improvement, Elkay reserves the right to change product specifications without notice. Please visit [elkayusa.com](http://elkayusa.com) for most current version of Elkay product specification sheets.

This specification describes an Elkay product with design, quality and functional benefits to the user. When making a comparison of other producers' offerings, be certain these features are not overlooked.

Elkay

[elkayusa.com](http://elkayusa.com)

2222 Camden Court  
Oak Brook, IL 60523

Printed in U.S.A.  
©2011 Elkay

(Rev. 10/11) 1-436A

# ELKAY<sup>®</sup>

## SPECIFICATIONS

### Gourmet e-dock™ Undermount Sink with Perfect Drain™

#### Model ELU2115PDK and ELUH2115PDK Series

#### OPTIONAL ACCESSORIES

Bottom Grid: LKWOBG2115SS  
 Cutting Board (ELUH model only): CB1516  
 Rinsing Baskets: LKWRB2115SS, LKWERBSS  
 Utensil Caddy for Rinsing Basket: LKWUCSS  
 Mounting Clip: LKUCLIP8

#### SINK DIMENSIONS\*

Model Number	Overall			Inside Bowl			Cutout in Countertop	Minimum Cabinet Size
	L	W	D	L	W	D		
ELU2115PDK	22-1/2 (572mm)	17-1/4 (438mm)	9 (229mm)	21 (533mm)	15-3/4 (400mm)	7-1/2 (191mm)	See Template**	27 (686mm)
ELU211510PDK	22-1/2 (572mm)	17-1/4 (438mm)	11-1/2 (292mm)	21 (533mm)	15-3/4 (400mm)	10 (254mm)		27 (686mm)
ELUH2115PDK	23-1/2 (597mm)	18-1/4 (464mm)	9 (229mm)	21 (533mm)	15-3/4 (400mm)	7-1/2 (191mm)		27 (686mm)
ELUH211510PDK	23-1/2 (597mm)	18-1/4 (464mm)	11-1/2 (292mm)	21 (533mm)	15-3/4 (400mm)	10 (254mm)		27 (686mm)

\*Length is left to right. Width is front to back.

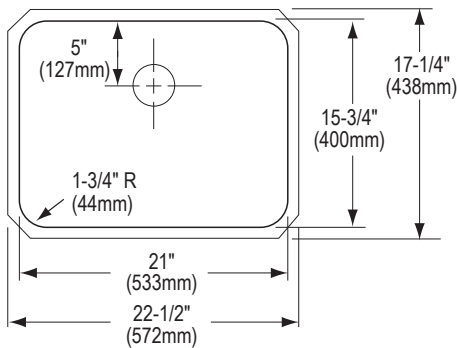
\*\*Template #74180162 (ELU2115(10)) or #74180250 (ELUH2115(10)) is packed with every sink.



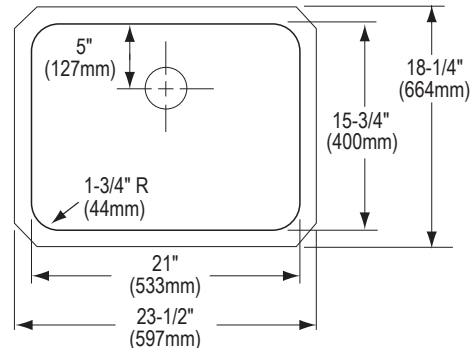
Elkay<sup>®</sup> Perfect Drain™ sinks are designed and approved for compatible disposers manufactured by InSinkEerator<sup>®</sup> utilizing the Quick Lock<sup>®</sup> mounting configuration. Use of non-approved disposers may void Elkay warranty.

InSinkEerator, Quick Lock and the mounting collar configuration are trademarks of Emerson Electric Co.

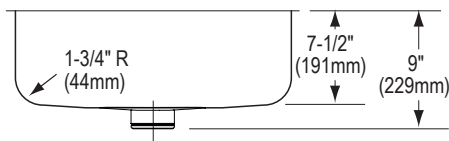




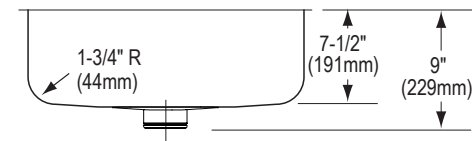
Model ELU2115PD Illustrated



Model ELUH2115PD Illustrated

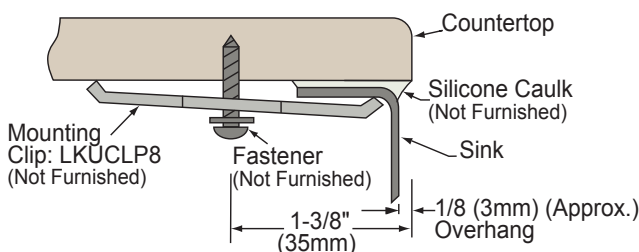


Model ELU211510PDK Illustrated

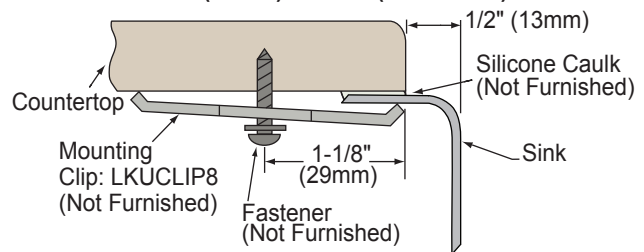


Model ELUH211510PDK Illustrated

#### Installation Profile 1/8" (3mm) Overhang (ELU Sink)



#### Installation Profile 1/2" (13mm) Reveal (ELUH Sink)



In keeping with our policy of continuing product improvement, Elkay reserves the right to change product specifications without notice. Please visit [elkayusa.com](http://elkayusa.com) for most current version of Elkay product specification sheets.

This specification describes an Elkay product with design, quality and functional benefits to the user. When making a comparison of other producers' offerings, be certain these features are not overlooked.