

Asana™ Collection – Vessel Series Installation Instructions

ELKAY®

Use and Care Hints

Regular cleaning is important to maintain the appearance of your Elkay sink.

NOTE: If your sink has a mirror finish, do not use an abrasive cleaner or cleaning pad as these will scratch the mirror finish.

Recommendations for Proper Maintenance

- **Do...**Use only a mild liquid dishwashing detergent with a soft sponge to clean and then thoroughly rinse the sink.
- **Do...**Rinse thoroughly after each use. "Thorough" rinsing can be done by running water for a few minutes and rubbing the cleaned area with a soft, clean sponge.
- **Do...**Towel dry after each use to prevent mineral deposits from building up on the surface of the sink.
- **Do Not...**Allow liquid soap or other household cleansers to dry on the surface of the sink. Most brands contain chemical additives which will affect the original finish.
- **Do Not...**Use solutions of chlorine bleach and water in the sink. Chlorides, which are found in most soaps, detergents, bleaches, and cleansers, are very aggressive to stainless steel. If left on the sink too long they can cause surface pitting.
- **Do Not...**Use a steel wool pad to clean your sink. Steel wool pads have a tendency to break apart and small particles of steel can become embedded in the surface of the sink. The steel particles will rust and will give the appearance that the sink itself is rusting.

- **Do Not...**Leave wet sponges, cloths, or cleaning pads on the sink. This can lead to surface rust.

Following these recommendations for the care and cleaning of your stainless steel sink will insure that it will provide you with many years of service.

Chlorides

Today, chlorides are found in most all soap, detergents, bleaches and cleansers; chlorides can be aggressive to stainless steel. However, chlorides are very water soluble. Therefore, THOROUGH RINSING of your sink after each use to remove any chloride residue and a weekly scouring is all that is required to keep your sink looking bright and shiny.

Water Quality

The quality of your water can affect your sink's appearance. If your water has a high iron content, a brown surface stain can form on the sink giving the appearance of rust. Additionally, in areas with a high concentration of minerals, or with over-softened water, a white film may develop on the sink. To combat these problems, we suggest that the sink be towel dried after use.

ELKAY®

ASANA™ – VESSEL SERIES SINK WARRANTY

This limited warranty does not apply to local building code compliance. Since local building codes vary considerably, the purchaser of this product should check with a local building or plumbing contractor to insure local code compliance before installation.

Elkay warrants to the original purchaser of an **Asana™ – Vessel Series** sink that Elkay will, at its option, replace, without charge, such product if it fails due to a manufacturing defect for a lifetime of normal residential use. Product replacement does not include transportation cost or labor installation cost. This warranty covers only the sink when a self-rimming drop-in sink is installed in a conventional countertop surface in residential applications. Elkay reserves the right to examine product in question and its installation prior to replacement. This warranty does not apply to defect or damage caused by:

1. Failure to follow the recommended procedures for installation, care and maintenance.
2. Dents or scratches.

This warranty applies only to Asana™ – Vessel Series sinks:

1. Used only in residential applications.
2. Which fail due to manufacturing defect.
3. Which have not been moved from original installation location.

Other Warranty Conditions

Our warranty does not cover product failure or damage caused by abusive treatment, misuse, environmental factors, improper care and cleaning, damage due to handling or faulty installations or claims of defect related to tarnish and discoloration. This warranty is extended only to the original consumer purchaser of the product. This warranty does not cover shipping costs,

labor costs, or any other charges for such items as installation or replacement of the sink, diagnosis or replacement of any faucet or component part, or any other expense or loss.

All incidental or consequential damages are specifically excluded. No additional warranties, express or implied are given. Any implied warranty, including one of merchantability or fitness for a particular purpose, is limited to the duration of this written warranty.

Some states do not allow the exclusion or limitation of incidental or consequential damages or limitations on how long an implied warranty lasts, so the above limitations or exclusions may not apply to you.

This warranty gives you specific legal rights, and you may also have other rights which vary from state to state.

TO OBTAIN SERVICE UNDER WARRANTY

1. Write to: Elkay
Attention: Consumer Services
2222 Camden Court
Oak Brook, IL 60523
2. Include a letter containing the following information:
 - a. Date of purchase and installation
 - b. Description of nature of defect
 - c. Model number or description of model and/or component part if possible.

Asana™ Collection – Vessel Series

CAREFULLY READ THESE INSTRUCTIONS BEFORE YOU BEGIN

- Follow all local standards and codes. Product does not have an overflow.
- Examine sink for damage prior to installation.
- Mounts to the countertop using the drain fitting.

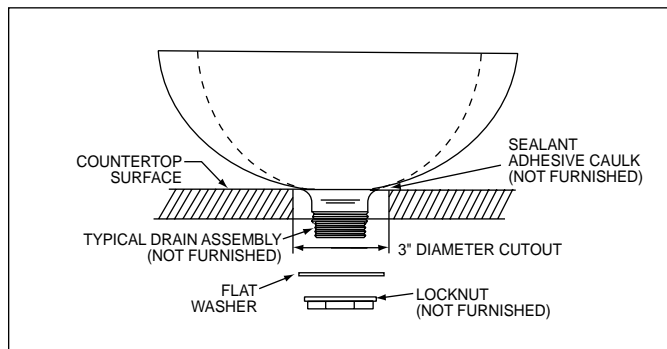
Installation Instructions

STEP ONE

Position sink on countertop. Take into consideration adequate clearance for the faucet, backsplash, and any accessories.

STEP TWO

Cut countertop opening 3" in diameter following the countertop manufacturer's recommended instructions.



STEP THREE

Test cutout by placing the sink into the cutout.

STEP FOUR

Clean underside of sink and sealing surface of countertop opening thoroughly to remove dirt or residue. Thoroughly dry and apply a continuous bead of high quality silicone adhesive caulk (not furnished) to the countertop, around opening.

STEP FIVE

Position sink in cutout, install drain (following drain manufacturer's instructions) and flat washer (that is furnished with sink), and tighten locknut to secure sink to countertop. Remove any excess caulk and allow to properly cure following caulk manufacturer's recommended instructions.

STEP SIX

Install faucet, supply lines and drain fittings. Run water and check for leaks.