

# ELKAY®

## SPECIFICATIONS

### Heavy Duty 14 Gauge Drinking Fountain Wall Mount, Fully Exposed Barrier-Free Access Models EHW217RAC & EHW217RAC

#### PRODUCT SPECIFICATION

Wall mounted freeze-resistant drinking fountain constructed of #14 gauge, type 304, stainless steel polished to a lustrous satin finish.

Contoured basin minimizes splashing and has exclusive one-piece, heavy duty Vandal-resistant bubbler. Easy to operate, fully functional chrome plated pushbutton is Vandal-resistant. Bottom cover plate included. Flow regulator provides constant stream from 20 to 105 psi water pressure.

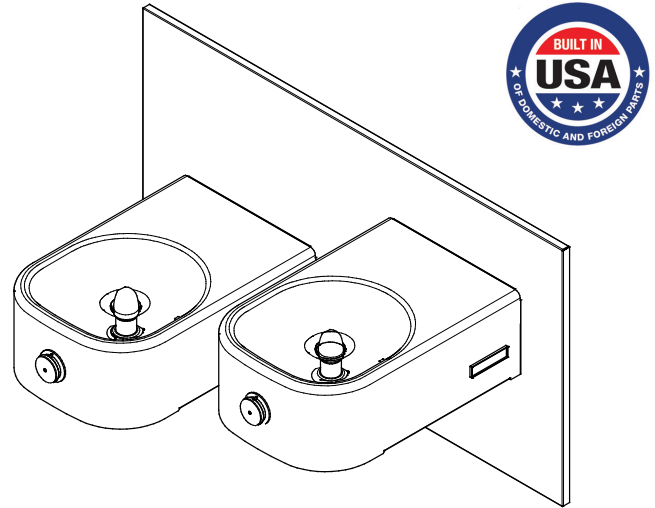
Complies with the requirements of A.D.A. (American's with Disabilities Act) when properly installed.

#### NO LEAD DESIGN

**THIS DRINKING FOUNTAIN COMPLIES WITH THE LEAD-FREE DEFINITION IN THE SAFE DRINKING WATER ACT OF 1986 AND LEAD CONTAMINATION CONTROL ACT OF 1988.**

Elkay Drinking Fountains are manufactured with a waterway system utilizing copper components and completely lead-free material. These waterways have no lead because all leaded materials, such as leaded brass, have been removed.

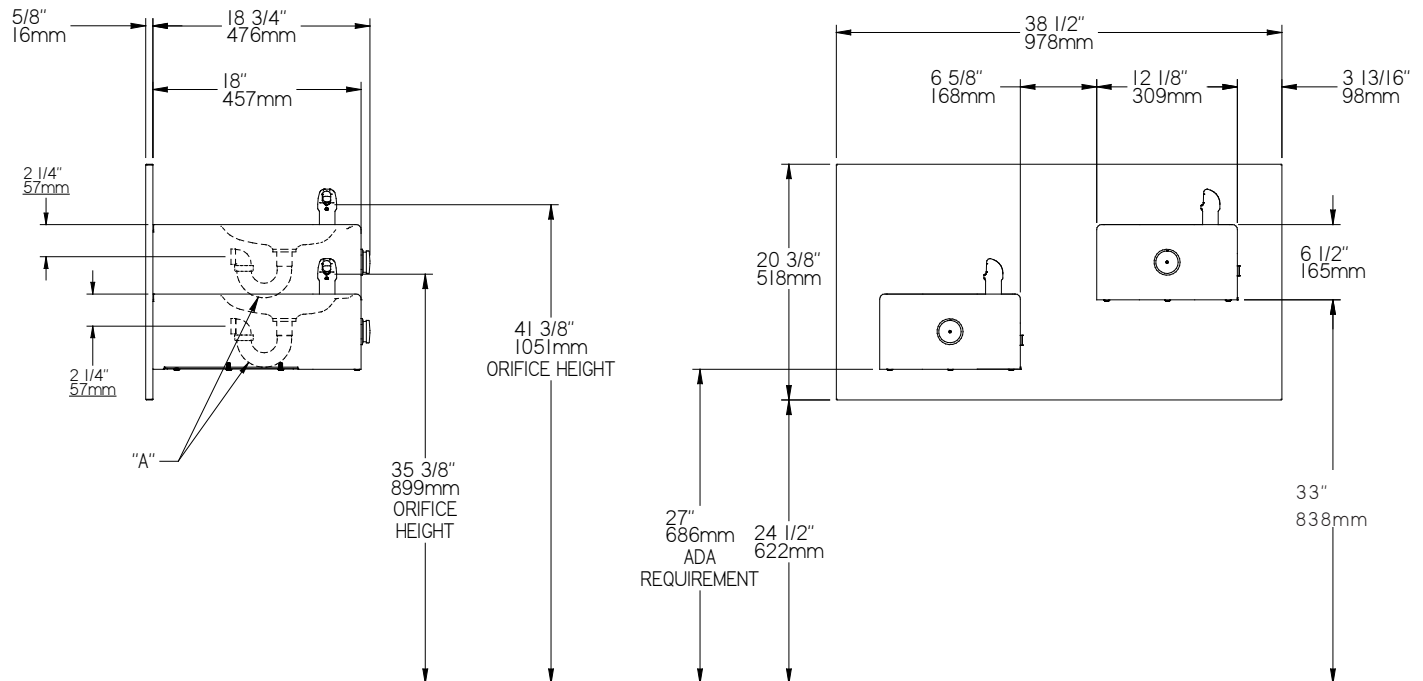
This fountain is certified by WQA to lead-free compliance including **NSF/ANSI 61 and 372.**



#### CONSTRUCTION

**EHW217RAC** furnished complete with vandal-resistant bubbler, fully assembled front push-buttons, flow regulator (20-105 psi), and drain, trap assemblies, vandal-resistant 14 gauge bottom cover plates and surface mounting plate. Trap included.

**EHW217RAC** does not include the surface mounting plate. To be mounted with **MPW200** in-wall mounting plate. **ML100** in-wall support legs are optional.



#### LEGEND:

A = Recommended water supply location 3/8" O.D. unplated copper tube connect, stubbed 1-1/2" (38mm) from the wall. Shut off by others.

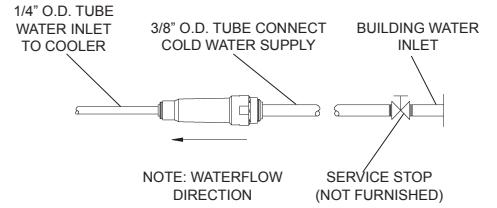
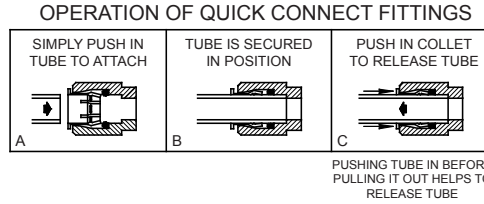
*This specification describes an Elkay product with design, quality and functional benefits to the user. When making a comparison of other producer's offerings, be certain these features are not overlooked.*

**Heavy Duty 14 Gauge Drinking Fountain  
Wall Mount, Fully Exposed  
Barrier-Free Access  
Model EHWM217RAC**

**ELKAY®  
ROUGH-IN DIMENSIONS**

**INSTALLER NOTE**

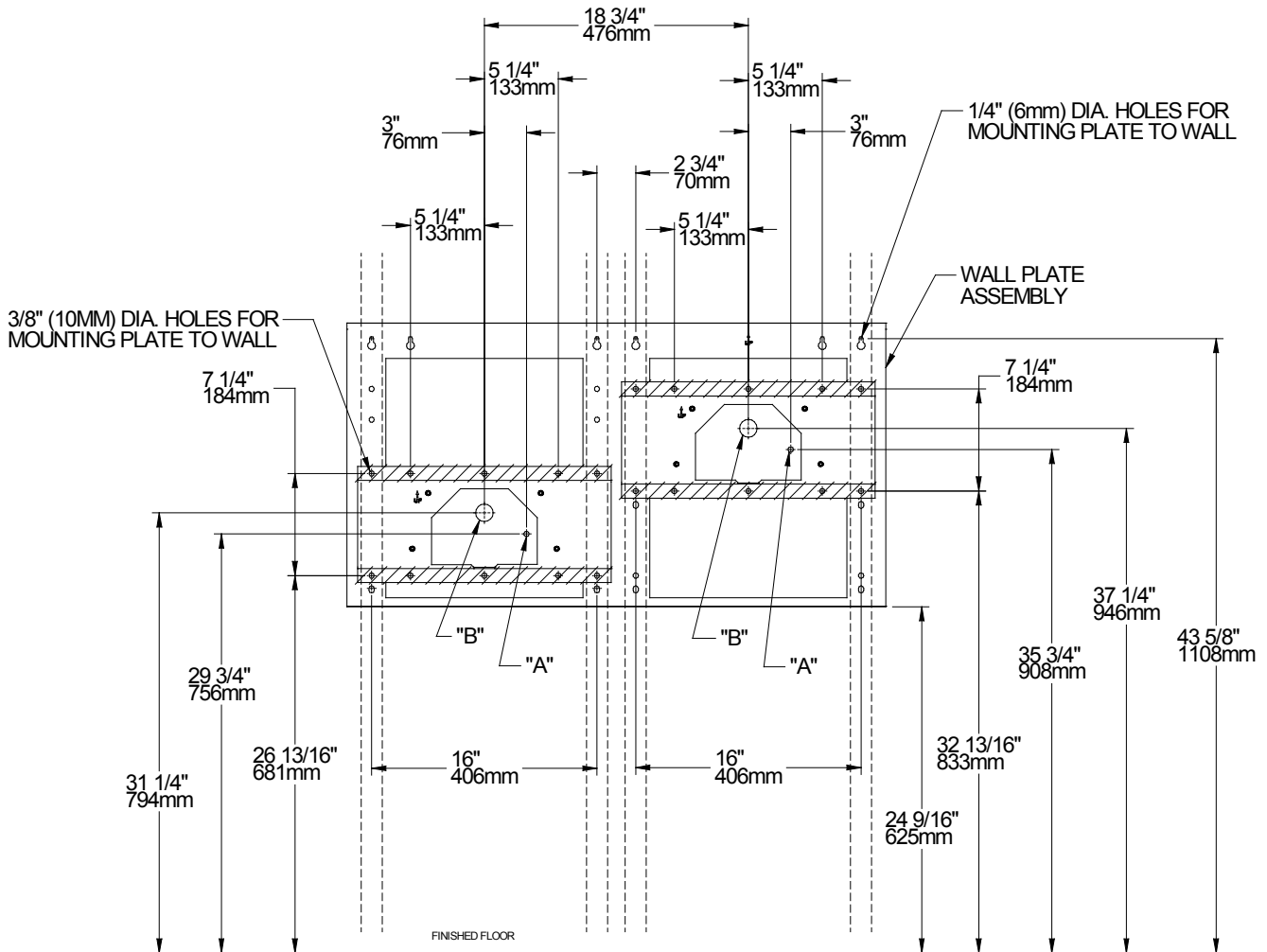
THIS DRINKING FOUNTAIN IS FURNISHED WITH A BUBBLER AND WATERWAY WITH ALL CONNECTING FITTINGS WHICH ARE MANUFACTURED OF COMPLETELY LEAD FREE MATERIAL. SHUT OFF VALVE (NOT FURNISHED) TO ACCEPT 3/8" O.D. UNPLATED COPPER TUBE.



**When installing EHWM217RAC which includes a surface mounting plate, refer to the diagram below.**

**For electrical, waste, and water supply locations refer to the Installation/Owners manual.**

**NOTE: Reinforce the wall in the shaded areas.**



**LEGEND:**

- A = Recommended water supply location 3/8" O.D. unplated copper tube connect, stubbed 1-1/2" (38mm) from the wall. Shut off by others.
- B = Recommended location for waste outlet 1-1/4" O.D. drain, stubbed 6-5/8" (168mm) from the wall.

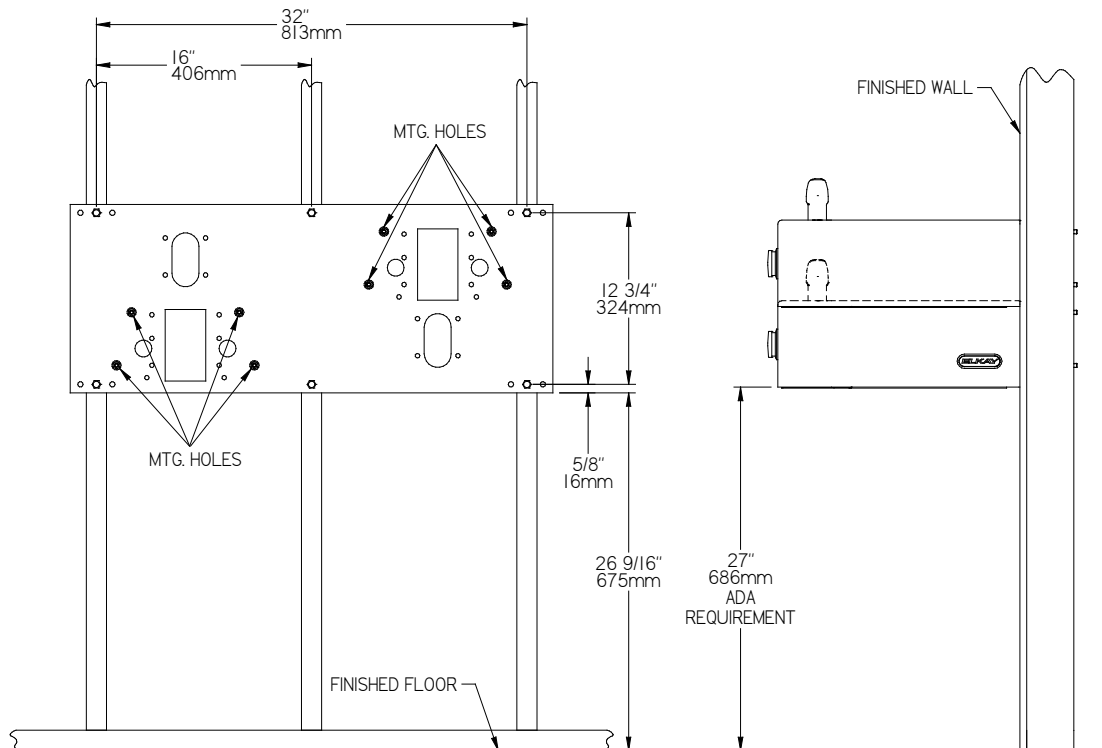
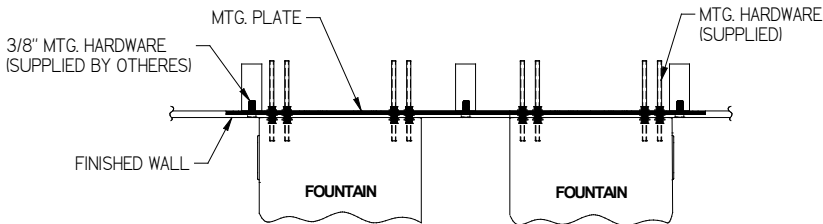
**Heavy Duty 14 Gauge Drinking Fountain**  
**Wall Mount, Fully Exposed**  
**Barrier-Free Access**  
**Model EHW217RAC with MPW200**

**ELKAY®**  
**ROUGH-IN DIMENSIONS**

When installing EHW217RAC with MPW200 in-wall plate mounted directly to wall studs, refer to the diagrams below.

For electrical, waste, and water supply locations refer to the Installation/Owners manual.

**Note – After installation, threaded rods may need to be trimmed.**



*In keeping with our policy of continuing product improvement, Elkay reserves the right to change specification without notice. Please visit [elkay.com](http://elkay.com) for the most current version.*

*This specification describes an Elkay product with design, quality and functional benefits to the user. When making a comparison of other producer's offerings, be certain these features are not overlooked.*