

ELKAY[®]

SPECIFICATIONS

No Lead Wall Mount
Fully-Recessed Water Cooler
Models EFRCM8 and EFRCM12

GENERAL

Wall type, fully recessed electric refrigerated water cooler with stainless steel louvered ventilating grill.

Unit furnished with hermetically sealed tube-tank cooling unit in undersection. Cooling unit removable without disturbing electrical or drain connections. Condenser, air cooled by fan. Plumbing and electrical connections are concealed. Entire unit does not extend more than 1/2" from wall surface. Flexi-Guard[®] safety bubbler. Control push button located on front panel below stream projector. Patented* valve and in-line flow regulator provides constant stream from 20 to 105 psi.

THIS WATER COOLER COMPLIES WITH THE REQUIREMENTS OF A.D.A. (AMERICANS WITH DISABILITIES ACT) PROVIDING THE FLOOR TO ORIFICE HEIGHT IS 36" OR LESS AND PROPER CLEAR FLOOR SPACE IS PROVIDED.

NO LEAD DESIGN

THIS WATER COOLER COMPLIES WITH THE LEAD-FREE DEFINITION IN THE SAFE DRINKING WATER ACT OF 1986 AND LEAD CONTAMINATION CONTROL ACT OF 1988.

Elkay Water Coolers are manufactured with a waterway system utilizing copper components and completely lead-free materials. These waterways have no lead because all lead materials, such as leaded brass, have been removed. All joints are brazed using silver solder only. No lead solder is permitted. A strainer with an easily cleanable screen is provided to allow trapping and convenient removal of waterborne particulate of 140 microns or larger prior to their entry into the water cooler.

CAPACITIES CHART

Model Number	Base Rate	**GPH of 50°F Drinking Water			Rated Watts	Full Load Amps	Glass Filler Option	•Pre-Cooler	Ship. Wt. Lbs.
		Room Temperature °F							
		70°F	80°F	90°F					
EFRC8	8.0	9.2	8.6	8.0	325	3.3	Yes	Yes	107
EFRC12	8.0	15.7	13.8	12.0	325	3.3	Yes	Yes	108

**Based on 80°F inlet water temperature. •Pre-cooler capacities based on 60% spill through pre-cooler. †Glass filler available at extra cost. Requires factory preparation to receive glass filler.

Rated watts shown are based on operational (run) time, in accordance with A.R.I. Standard 1010 conditions. Specific applications will determine the actual watts consumed per hour. Watts consumed will be based on number of people served per hour (usage), ambient temperatures, and inlet water temperature.

COOLING SYSTEM

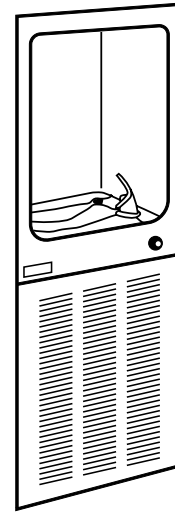
Motor Compressor: Hermetically sealed, reciprocating type, 115V, 60 Hz single phase. Lubricated for life.

Condenser: Fan cooled. Fan motor is permanently lubricated.

Cooling Unit: Combination tube-tank type. Tube portion is continuous coil of copper tubing. Fully insulated with EPS foam which meets Underwriters Laboratories Inc. requirements for self extinguishing plastic material.

Refrigerant Control: Refrigerant HFC-134a is controlled by accurately calibrated capillary tube for positively trouble-free performance.

Temperature Control: Enclosed adjustable thermostat is easily accessible by removing front grill panel.



Model EFRC12

CONSTRUCTION

Fountain Top: One piece #16 gauge stainless steel, type 304. Anti-splash design has Exclusive Cascade basin, tested most splash-resistant. Fountain has 1-3/4" covered corners. Exposed surfaces polished to a uniform Elkay luster finish.

Stream Projector: Control push button operated, with an in-line flow regulator from 20 psi to 105 psi. Stream projector with protective hood meets all sanitary codes.

Exclusive Flexi-Guard[®] Safety Bubbler*: Innovative design utilizes a pliable polyester elastomer to prevent accidental mouth injuries. Flexes on impact, then returns to original position. Strong. Abrasion-resistant. Anti-sweat. Meets UL requirements and all sanitary codes. Keyed in location to prevent rotation.

Front Panel Grill: Made of type 304, stainless steel, polished to a uniform Elkay finish. Removable louvered ventilating grill encloses refrigeration unit and plumbing.

Wall Mounting Box: MB23A mounting box furnished with each unit. Box allows flush mounting to finished wall, plumbing and electrical service holes are pre-punched on both right and left side to facilitate installation.

5 YEAR LIMITED WARRANTY on the refrigeration system of the unit. Electrical components and water system are warranted for 12 months from date of installation. Sample Certificate available on request.

Elkay Pressure-Type Water Coolers are designed to operate on 20 psi to 105 psi supply line pressure. If inlet pressure is above 105 psi, a pressure regulator must be installed in the supply line. Any damage caused by reason of connecting this product to supply line pressures lower than 20 psi or higher than 105 psi is not covered by the warranty.

STANDARDS



Elkay Electric Air Cooled Water Coolers are listed by Underwriters Laboratories Inc. and comply with both Canadian and U.S. requirements.



Rated in accordance with A.R.I. Standard 1010 and meets all known federal and state plumbing codes.

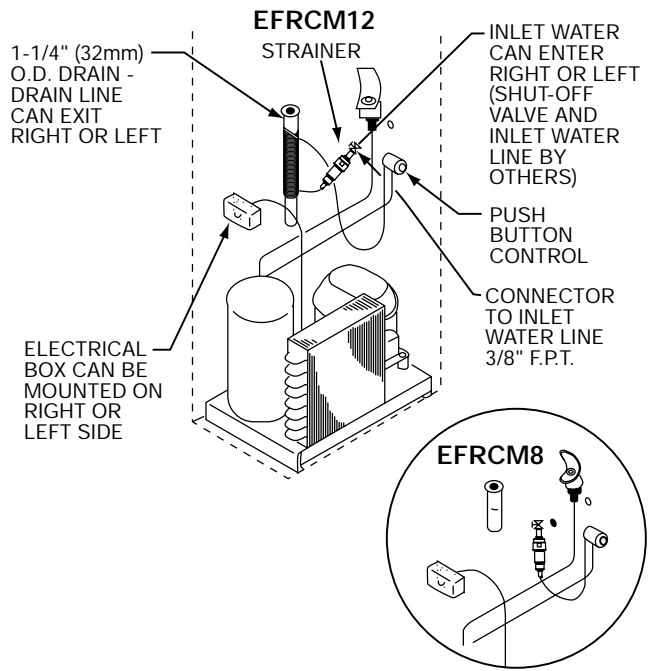
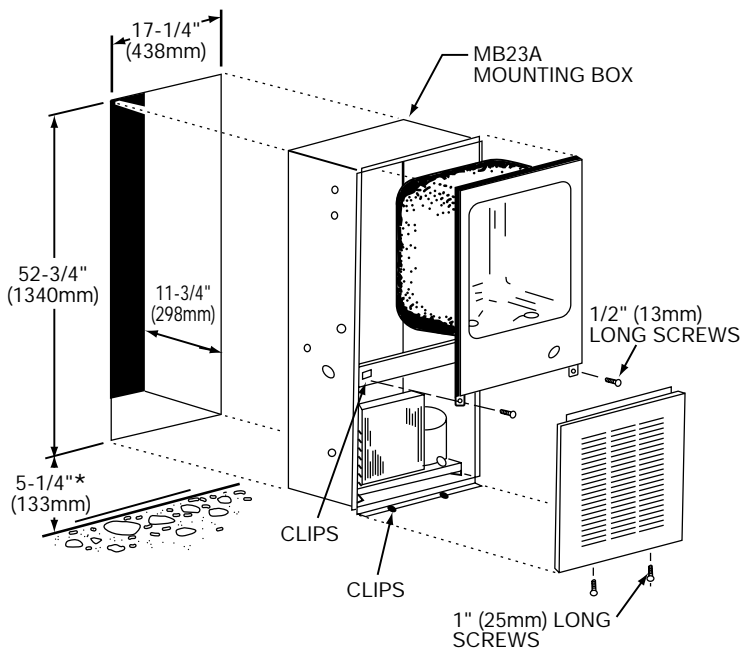
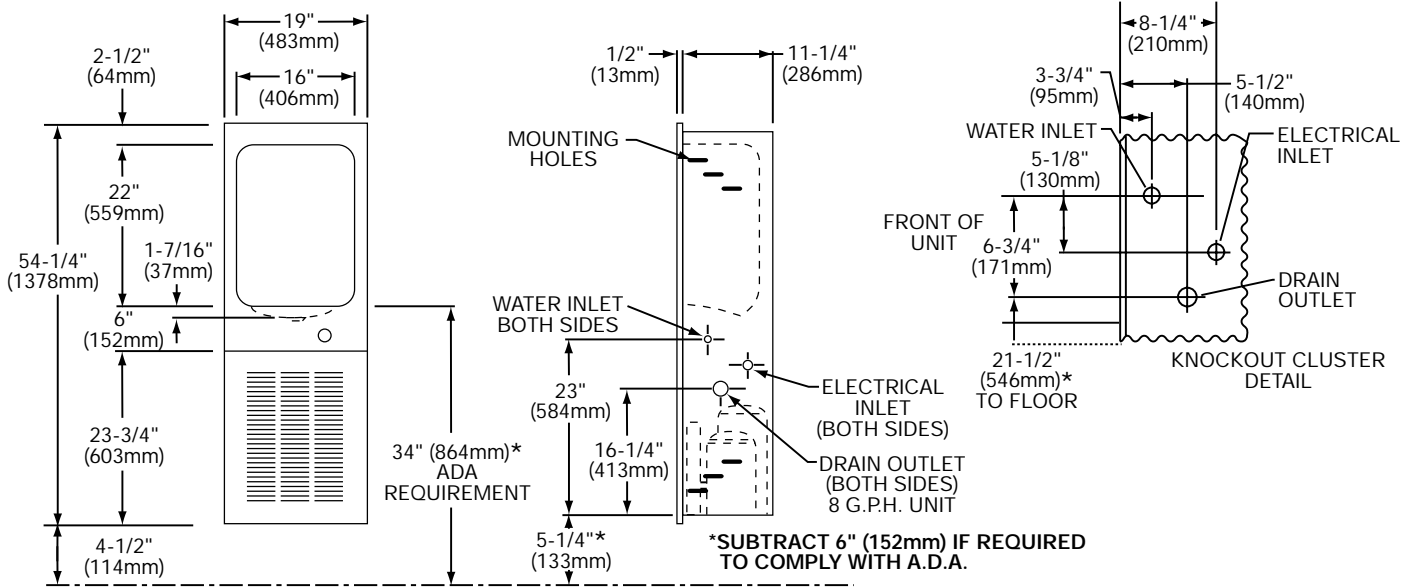
* Patent #4,481,971

In keeping with our policy of continuing product improvement, Elkay reserves the right to change product specifications without notice.

This specification describes an Elkay product with design, quality and functional benefits to the user. When making a comparison of other producers' offerings, be certain these features are not overlooked.

No Lead Wall Mount
Fully-Recessed Water Cooler
Models EFRCM8 and EFRCM12

ELKAY
ROUGH-IN DIMENSIONS



IMPORTANT!
INSTALLER PLEASE NOTE:

This water cooler has been designed and built to provide water to the user which has not been altered by materials in the cooler waterways.

The grounding of electrical equipment such as telephone, computers, etc., to water lines is a common procedure. This grounding may be in the building but may also occur away from the building. This grounding can cause electrical feedback into a water cooler creating an electrolysis which creates a metallic taste or causes an increase in the metal content of the water. This condition is avoidable by installing the cooler using the proper materials as shown below.

NOTICE

This water cooler must be connected to the water supply using a dielectric coupling. The cooler is furnished with a non-metallic strainer which meets this requirement. The drain trap which is provided by the installer should also be plastic to completely isolate the cooler from the building plumbing system.

