

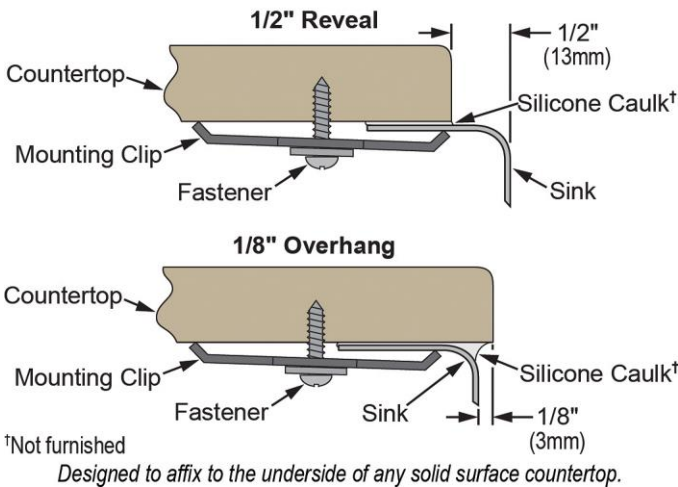
PRODUCT SPECIFICATIONS

Gourmet Stainless Steel Single Bowl Undermount Sink. Overall dimensions are 23-1/2" x 18-1/4" x 10". Sink is manufactured from 18 gauge 304 Stainless Steel with a Soft Highlighted Satin finish, Rear Center drain placement and SoundGuard®.

| | |
|------------------------------|----------------------------|
| Installation Type: | Undermount |
| Material: | 304 Stainless Steel |
| Finish: | Soft Highlighted Satin |
| Gauge: | 18 |
| Sound Deadening: | SoundGuard® |
| Number of Bowls: | 1 |
| Sink Dimensions: | 23-1/2" x 18-1/4" x 10" |
| Bowl 1 Dimensions: | 21" x 15-3/4" x 10" |
| Drain Size: | 3-1/2" (89mm) |
| Drain Location: | Rear Center |
| Minimum Cabinet Size: | 27" |
| Mounting Hardware: | Part # 54300008 included |
| Template Included: | Yes |
| Cutout Template #: | 1000001393 |

Template is available for download at [elkay.com](#)

Installation Profile:

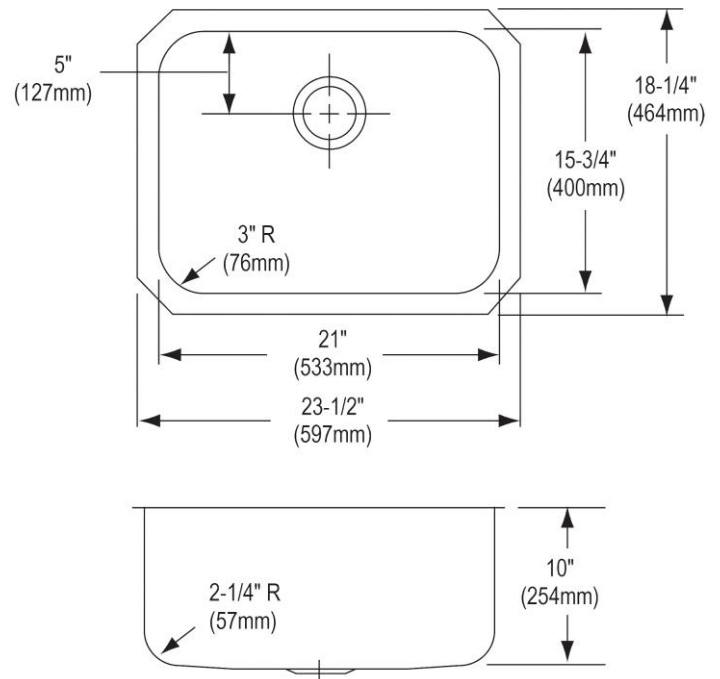


AMERICAN PRIDE. A LIFETIME TRADITION.
Like your family, the Elkay family has values and traditions that endure. For almost a century, Elkay has been a family-owned and operated company, providing thousands of jobs that support our families and communities.



Sinks are listed by IAPMO® as meeting the applicable requirements of the Uniform Plumbing Code®, International Plumbing Code®, and National Plumbing Code of Canada.

Product Compliance: ASME A112.19.3/CSA B45.4
[Clean and Care Manual \(PDF\)](#)
[Installation Instructions \(PDF\)](#)
[Limited Lifetime Warranty \(PDF\)](#)



PART: _____ QTY: _____
PROJECT: _____
CONTACT: _____
DATE: _____
NOTES: _____
APPROVAL: _____

In keeping with our policy of continuing product improvement, Elkay reserves the right to change product specifications without notice. Please visit [elkay.com](#) for the most current version of Elkay product specification sheets. This specification describes an Elkay product with design, quality, and functional benefits to the user. When making a comparison of other producers' offerings, be certain these features are not overlooked.

OPTIONAL ACCESSORIES

| | |
|------------------------|--|
| Bottom Grid: | LKWOBG2115SS |
| Cutting Board: | CB1516 |
| Drain: | LK99 |
| Faucet: | LKGT1041, LKGT2041 |
| Rinsing Basket: | LKWWRB2115SS, LKWWRBSS |
| Sinkmate: | LKSM17, LKSMHOOK, LKSMSPONGE, LKSMHSL |
| Soap Dispenser: | LKGT1054 |

In keeping with our policy of continuing product improvement, Elkay reserves the right to change product specifications without notice. Please visit elkay.com for the most current version of Elkay product specification sheets. This specification describes an Elkay product with design, quality, and functional benefits to the user. When making a comparison of other producers' offerings, be certain these features are not overlooked.