

ELKAY[®]

SPECIFICATIONS

No Lead Wall Mount Fully-Recessed Water Cooler with Cup Filler, Dispenser and Waste Receptacle Models EFRCM8CDC and EFRCM12CDC

GENERAL

Fully recessed cup dispenser-disposer with push back type cup filler and integral drain.

Cup dispenser holds 100 4 oz. cups. Access door has cylinder lock and sight opening. Water dispenser is push back self closing type. Built-in louver covered drain. Cup dispenser contains removable receptor for discarded cups behind self closing door and locked access door.

Wall type, fully recessed, electric refrigerated water cooler with stainless steel louvered ventilating grill.

Unit furnished with hermetically sealed tube-tank cooling unit in undersection. Cooling unit removable without disturbing electrical or drain connections. Condenser, air cooled by fan. Plumbing and electrical connections are concealed. Entire unit does not extend more than 1/2" from wall surface. Flexi-Guard[®] safety bubbler. Control push button located on front panel below stream projector has in-line flow regulator from 20 to 105 psi.

THIS WATER COOLER COMPLIES WITH THE REQUIREMENTS OF A.D.A. (AMERICANS WITH DISABILITIES ACT) PROVIDING PROPER FLOOR SPACE IS AVAILABLE. THIS UNIT COULD ALSO BE CONSIDERED FOR THE REQUIREMENT OF A UNIT WHICH WILL SERVICE A WHEELCHAIR INDIVIDUAL AND PROVIDE SERVICE FOR A PERSON UNABLE TO BEND OVER TO A WHEELCHAIR LEVEL COOLER.

NO LEAD DESIGN

THIS WATER COOLER COMPLIES WITH THE LEAD-FREE DEFINITION IN THE SAFE DRINKING WATER ACT OF 1996.

Elkay Water Coolers are manufactured with a waterway system utilizing copper components and completely lead-free materials. These waterways have no lead because all lead materials, such as leaded brass, have been removed. All joints are brazed using silver solder only. No lead solder is permitted. A strainer with an easily cleanable screen is provided to allow trapping and convenient removal of waterborne particulate of 140 microns or larger prior to their entry into the water cooler.

CAPACITIES CHART

Model Number	Base Rate	*GPH of 50°F Drinking Water			Rated Watts	Full Load Amps	•Pre-Cooler	Ship. Wt. Lbs.
		Room Temperature °F						
		70°F	80°F	90°F				
EFRCM8CDC	8.0	9.2	8.6	8.0	325	3.3	Yes	159
EFRCM12CDC	8.0	15.7	13.8	12.0	325	3.3	Yes	160

*Based on 80°F inlet water temperature. •Pre-cooler capacities based on 60% spill through pre-cooler.

Rated watts shown are based on operational (run) time, in accordance with A.R.I. Standard 1010 conditions. Specific applications will determine the actual watts consumed per hour. Watts consumed will be based on number of people served per hour (usage), ambient temperatures, and inlet water temperature.

COOLING SYSTEM

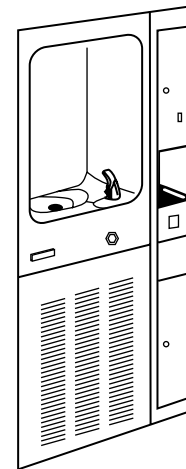
Motor Compressor: Hermetically sealed, reciprocating type, 115V, 60 Hertz single phase. Lubricated for life.

Condenser: Fan cooled. Fan motor is permanently lubricated.

Cooling Unit: Combination tube-tank type. Tube portion is continuous coil of copper tubing. Fully insulated with EPS foam.

Refrigerant Control: Refrigerant HFC-134a is controlled by accurately calibrated capillary tube for positively trouble-free performance.

Temperature Control: Enclosed adjustable thermostat is easily accessible by removing front grill panel.



Model EFRCM8CDC

CONSTRUCTION

Cup Dispenser-Disposer: 18 gauge, type 304 stainless steel designed to fit against side of fully recessed water cooler. Access doors are flush with front surface of frame which contains recessed area containing self closing push back cup filler, louvered cover drain and LK144 lock and key.

Fountain Top: #16 gauge, type 304 one piece stainless steel. Anti-splash design has exclusive Cascade basin, tested most splash-resistant. Fountain has 1-3/4" covered corners. Exposed surfaces polished to a uniform Elkay luster finish.

Exclusive Flexi-Guard[®] Safety Bubbler:** Innovative design utilizes a pliable polyester elastomer to prevent accidental mouth injuries. Flexes on impact, then returns to original position. Strong. Abrasion-resistant. Anti-sweat. Meets UL requirements and all sanitary codes. Keyed in location to prevent rotation.

Front Panel Grill: Made of type 304 stainless steel, polished to a uniform Elkay finish. Removable louvered ventilating grill encloses refrigeration unit and plumbing.

Wall Mounting Box: MB23A mounting box furnished with each unit. Box allows flush mounting to finished wall, plumbing and electrical service holes are prepunched on both right and left side to facilitate installation.

5 YEAR LIMITED WARRANTY on the refrigeration system of the unit. Electrical components and water system are warranted for 12 months from date of installation. Sample Certificate available on request.

Elkay Pressure-Type Water Coolers are designed to operate on 20 psi to 105 psi supply line pressure. If inlet pressure is above 105 psi, a pressure regulator must be installed in the supply line. Any damage caused by reason of connecting this product to supply line pressures lower than 20 psi or higher than 105 psi is not covered by the warranty.

STANDARDS



Elkay Electric Air Cooled Water Coolers are listed by Underwriters Laboratories Inc. and comply with both Canadian and U.S. requirements.



Rated in accordance with A.R.I. Standard 1010 and meets all known federal and state plumbing codes.

** Patent #4,481,971

In keeping with our policy of continuing product improvement, Elkay reserves the right to change product specifications without notice.

This specification describes an Elkay product with design, quality and functional benefits to the user. When making a comparison of other producers' offerings, be certain these features are not overlooked.

No Lead Wall Mount Fully-Recessed
Water Cooler with Cup Filler,
Dispenser and Waste Receptacle
Models EFRCM8CDC and EFRCM12CDC

ELKAY
ROUGH-IN DIMENSIONS

IMPORTANT!

INSTALLER PLEASE NOTE:

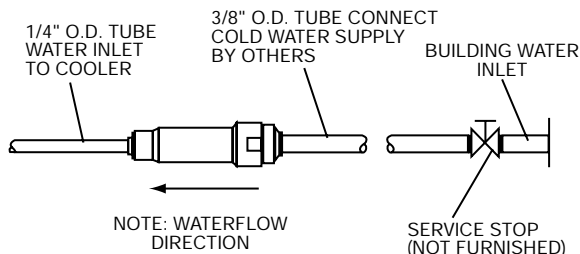
This water cooler has been designed and built to provide water to the user which has not been altered by materials in the cooler waterways.

The grounding of electrical equipment such as telephone, computers, etc., to water lines is a common procedure. This grounding may be in the building but may also occur away from the building. This grounding can cause electrical feedback into a water cooler creating an electrolysis which creates a metallic taste or causes an increase in the metal content of the water. This condition is avoidable by installing the cooler using the proper materials as shown below.

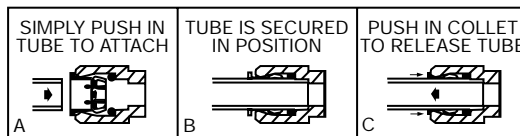
NOTICE

This water cooler must be connected to the water supply using a dielectric coupling. The cooler is furnished with a non-metallic strainer which meets this requirement.

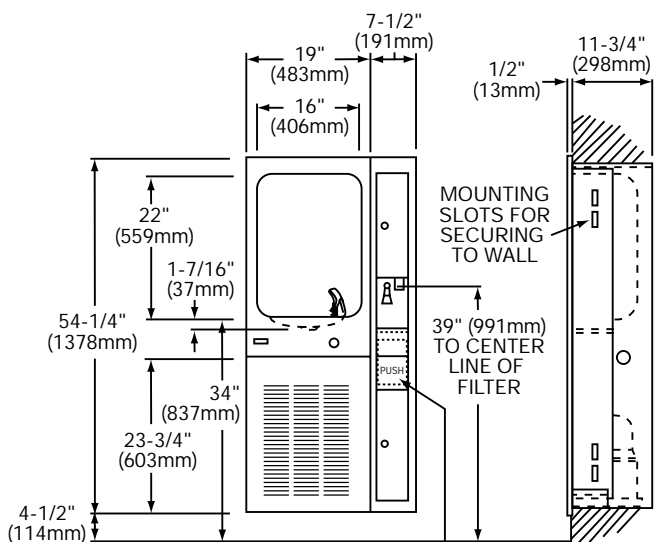
The drain trap which is provided by the installer should also be plastic to completely isolate the cooler from the building plumbing system.



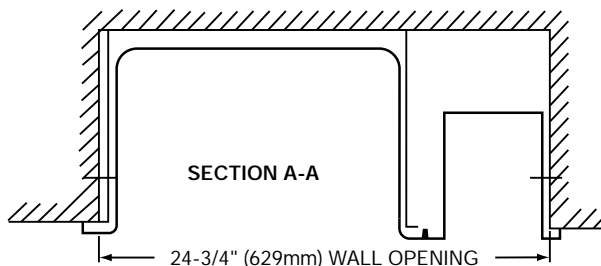
OPERATION OF QUICK CONNECT FITTINGS



PUSHING TUBE IN BEFORE PULLING IT OUT HELPS TO RELEASE TUBE



REMOVABLE PANEL FOR MAKING PLUMBING CONNECTIONS AT CUP FILLER



DISPENSER & DISPOSAL NOT SHOWN

