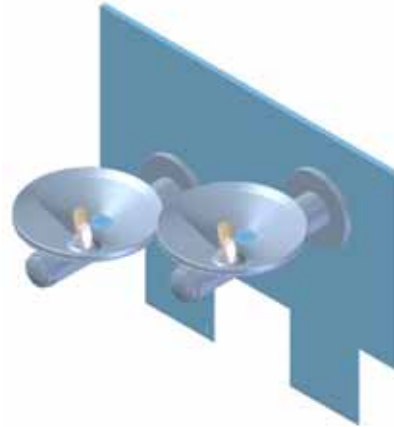


ELKAY With **FLEXI-GUARD** **INSTALLATION, CARE & USE MANUAL**

SWIRLFLO[™] fountains with **FLEXI-GUARD**[™]






EDFPBM(V)117C



EDFPBM(V)117RAC

INSTALLER

-  **CAUTION:** Review these instructions before beginning installation. Be sure that installation conforms to all plumbing, electrical and other applicable codes.
-  **WARNING:** When installation is complete, ensure these instructions are left in the plastic bag provided inside the installed unit for future reference.
-  **WARNING:** Service to be performed by authorized service personnel only.

NOTE: It is common practice to ground electrical hardware such as telephones, computers and other devices to available water lines. This can, however, cause electrical feedback in the plumbing circuit, which results in an “electrolysis” effect occurring in the fountain. This may result in water which has a metallic taste to it or has a noticeable increase in the metallic content of the water.

When inspecting plumbing circuit, remember the line may be grounded some distance from the installation, and may occur outside the building or area in which the unit is being installed.

This condition can be avoided (in most cases) by using recommended materials during installation. Any drain fittings provided by the installer should be made of **plastic** which will electronically isolate the fountain from the remainder of the building’s plumbing circuits.

EDFPB117C, EDFPBM117C, EDFPB117RAC, EDFPBM117RAC, EDFPBV117C,
EDFPBMV117C, EDFPBV117RAC, EBFPMV117RAC

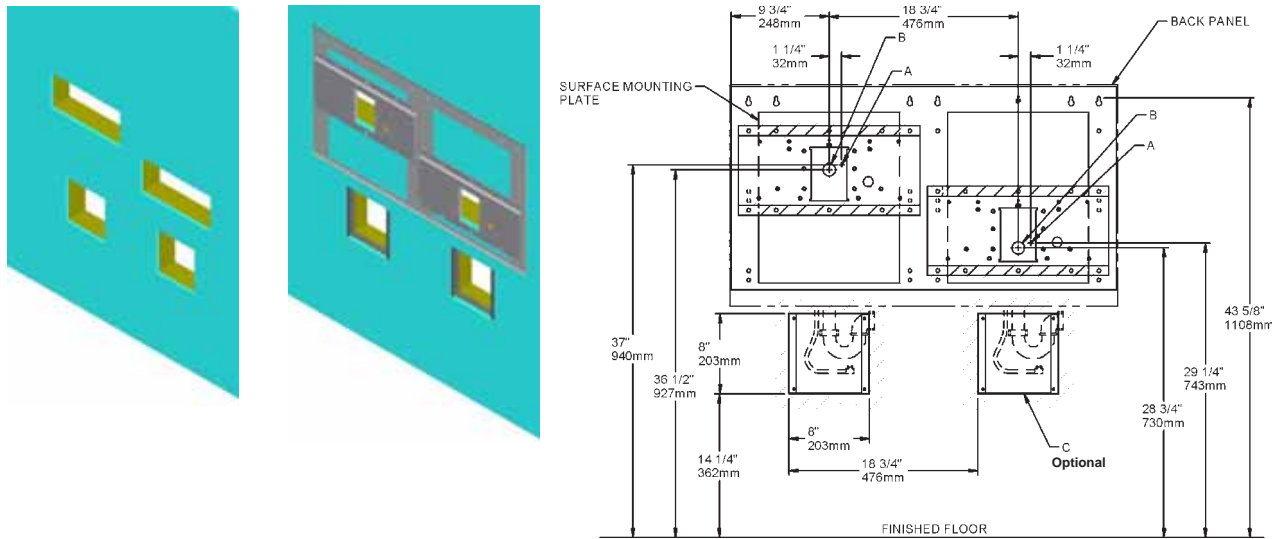


Figure 1 - Rough-in EDFPB(V)117C

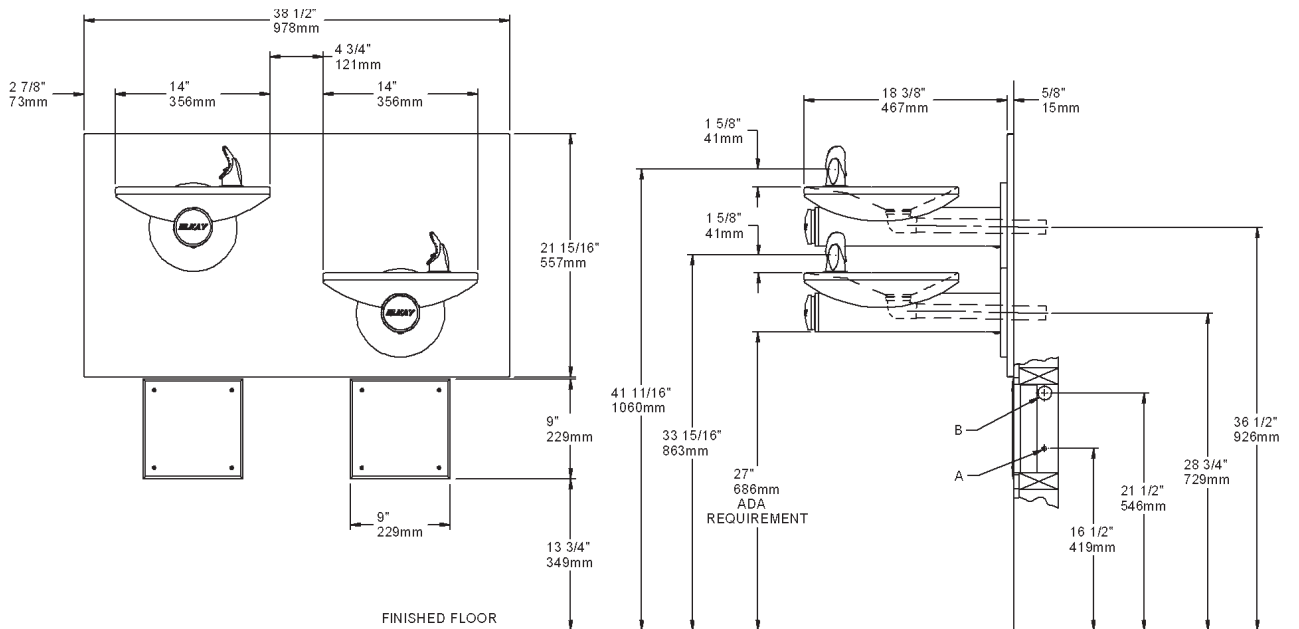


Figure 2 - Rough-in Assembly EDFPB(V)117C

LEGEND

- A = Water Inlet Location Left Or Right Side. 3/8" O.D. Unplated Copper Tube Connect.
- B = Fountain Waste Location Left Or Right Side. Waste Is Shown in Wall But May Be Behind Wall. 1-1/4" O.D. Drain (Trap Not Furnished)
- C = Opening For Optional AP-99 Access Panel

Note: Reinforce The Wall In The Shaded Areas.

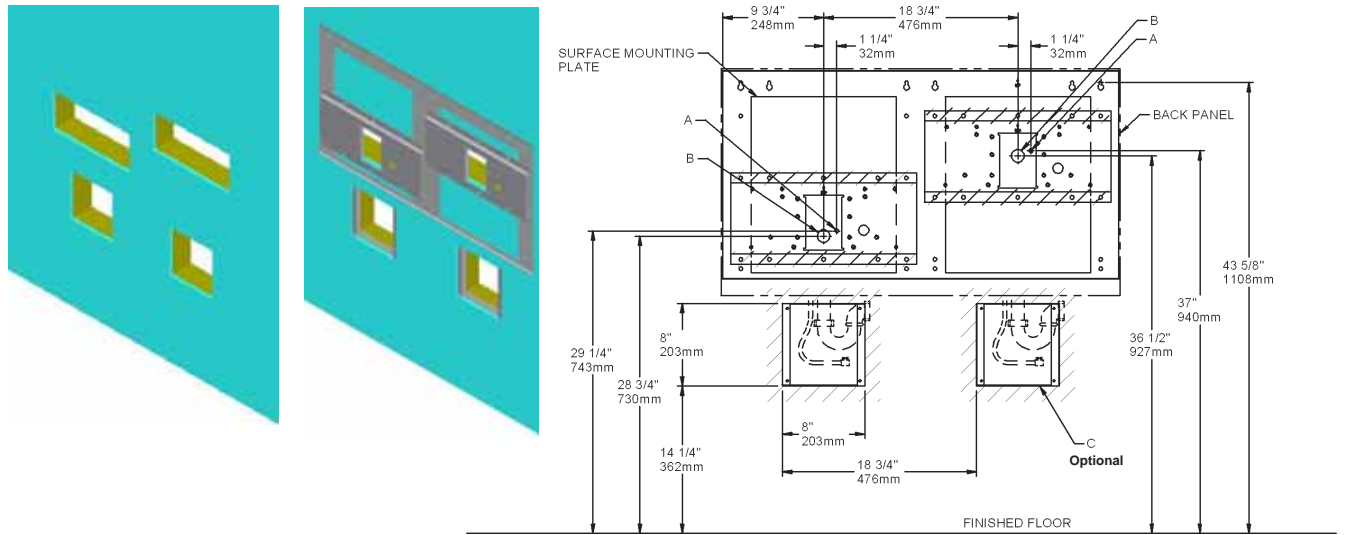


Figure 3 -Rough-in EDFPBM(V)117RAC

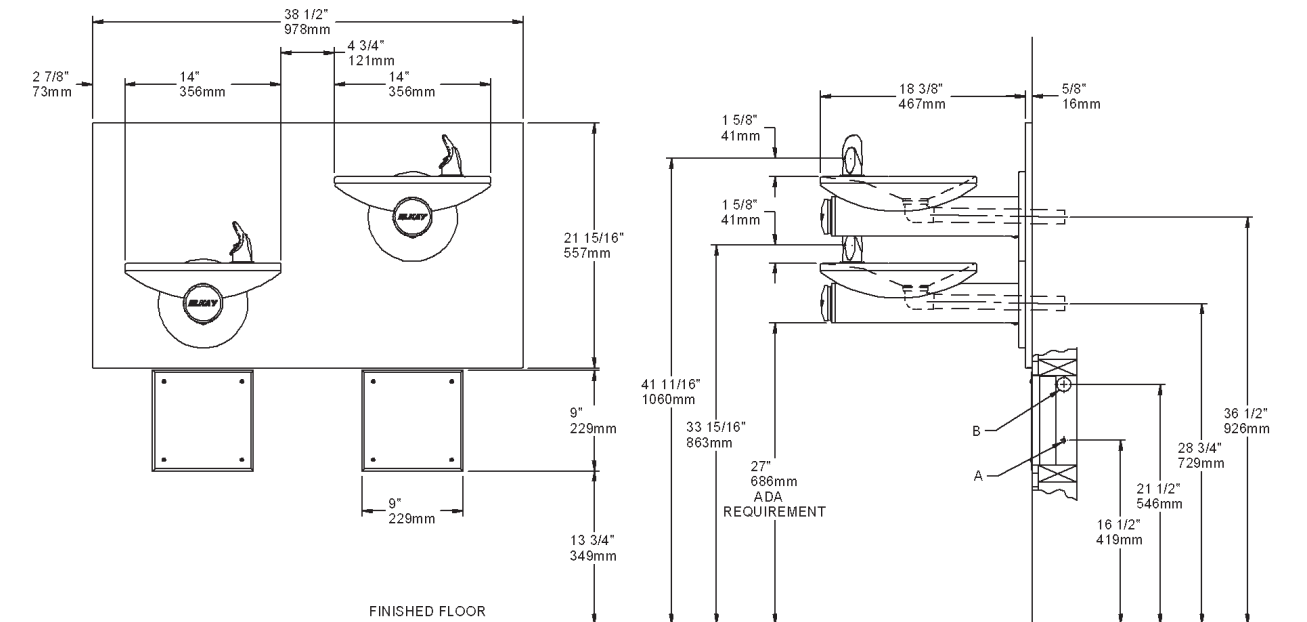


Figure 4 -Rough-in Assembly EDFPBM(V)117RAC

LEGEND

- A = Water Inlet Location Left Or Right Side. 3/8" O.D. Unplated Copper Tube Connect.
- B = Fountain Waste Location Left Or Right Side. Waste Is Shown in Wall But May Be Behind Wall. 1-1/4" O.D. Drain (Trap Not Furnished)
- C = Opening For Optional AP-99 Access Panel

Note: Reinforce The Wall In The Shaded Areas.

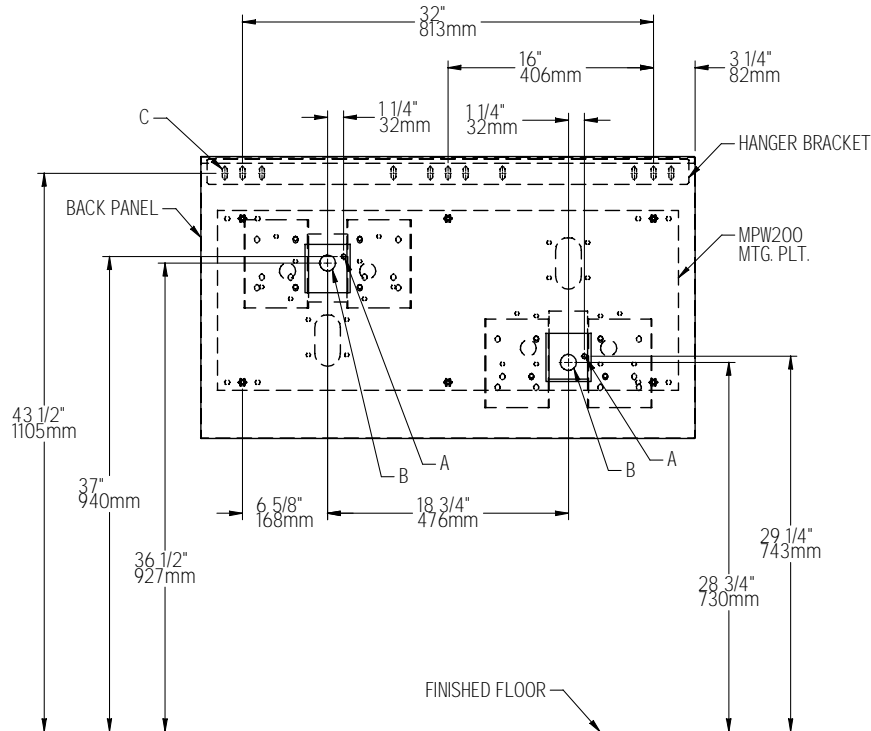


Figure 5 -Rough-in EDFPB(V)117C

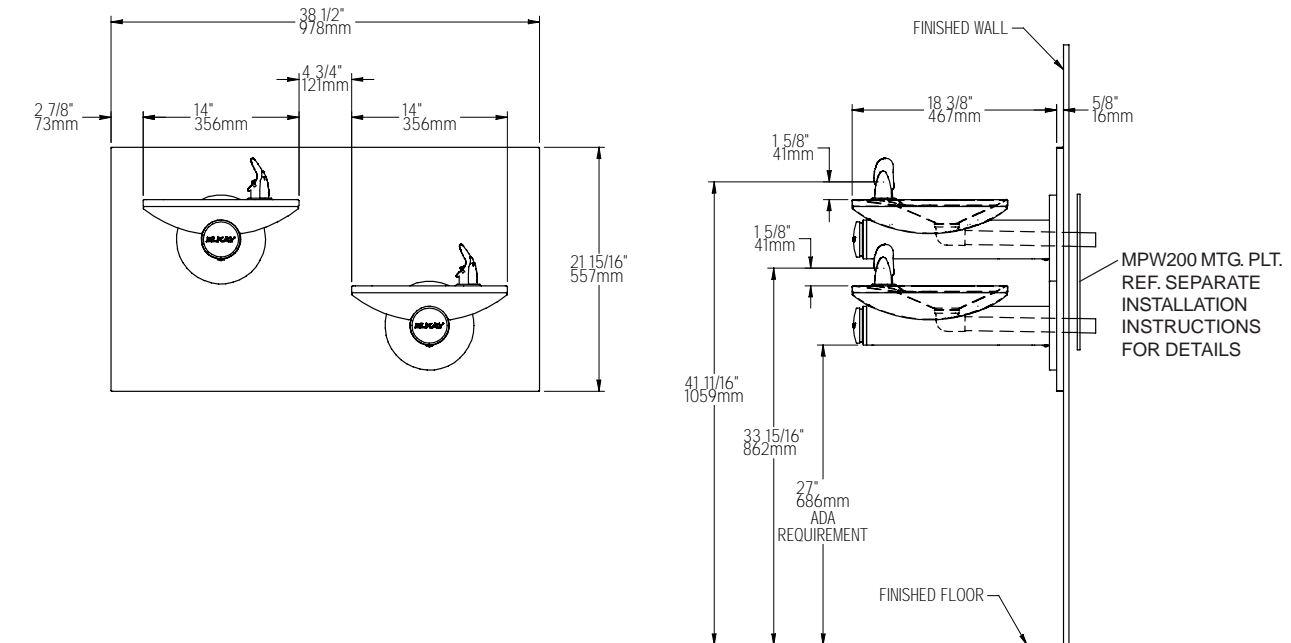


Figure 6 -Rough-in Assembly EDFPB(V)117C

LEGEND

- A = Water Inlet Location Left Or Right Side. 3/8" O.D. Unplated Copper Tube Connect.
- B = Fountain Waste Location Left Or Right Side. Waste Is Shown in Wall But May Be Behind Wall. 1-1/4" O.D. Drain (Trap Not Furnished)
- C = 3/8" (10mm) DIA. Slots For Mounting Hanger Bracket To Wall

EDFPB117C, EDFPBM117C, EDFPB117RAC, EDFPBM117RAC, EDFPBV117C,
EDFPBMV117C, EDFPBV117RAC, EBFPMV117RAC

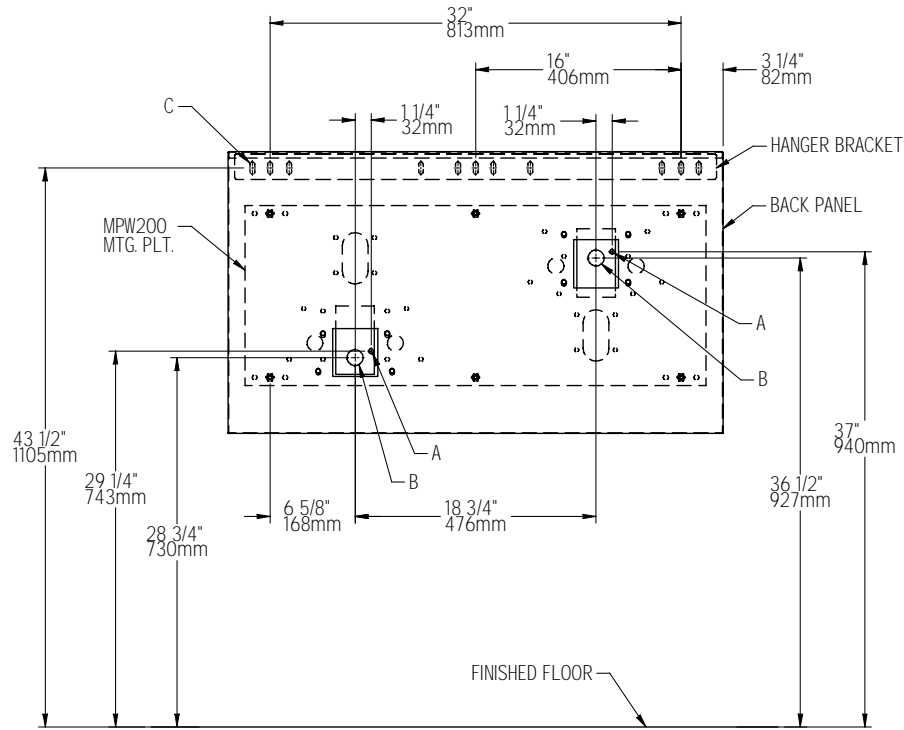


Figure 7 -Rough-in EDFPB(V)117RAC

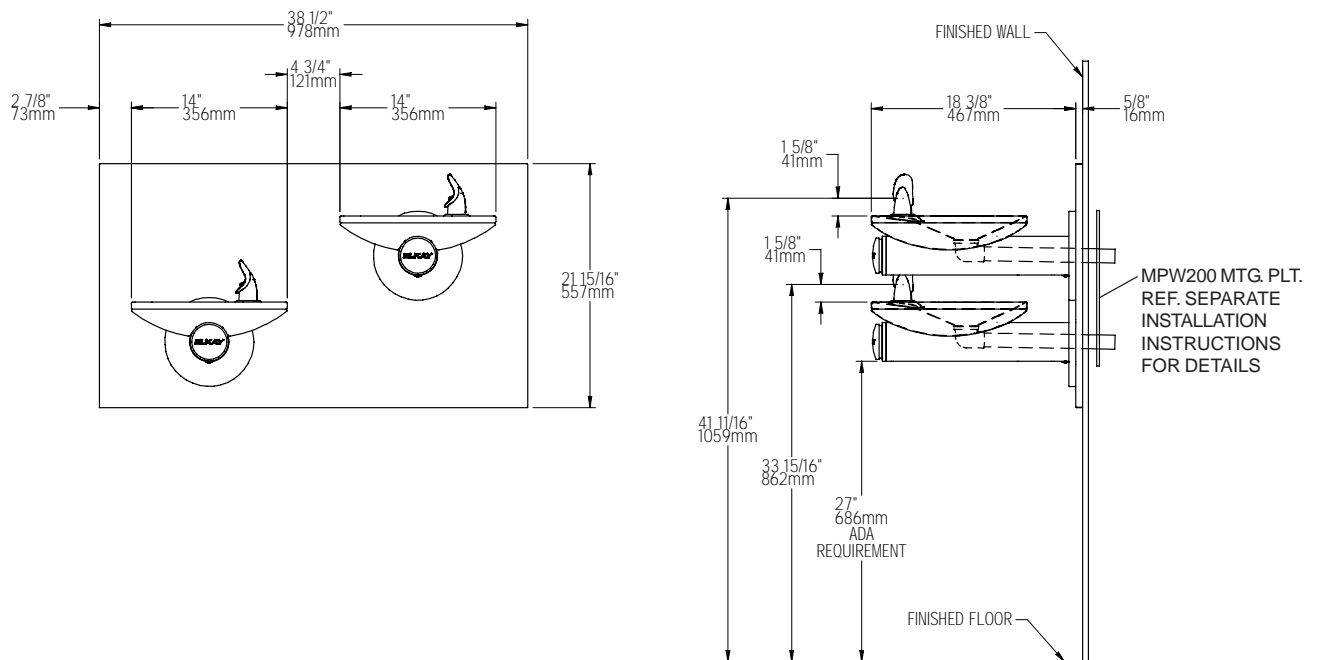


Figure 8 -Rough-in Assembly EDFPB(V)117RAC

LEGEND

- A = Water Inlet Location Left Or Right Side. 3/8" O.D. Unplated Copper Tube Connect.**
- B = Fountain Waste Location Left Or Right Side. Waste Is Shown in Wall But May Be Behind Wall. 1-1/4" O.D. Drain (Trap Not Furnished)**
- C = 3/8" (10mm) DIA. Slots For Mounting Hanger Bracket To Wall**

Installation Instructions:

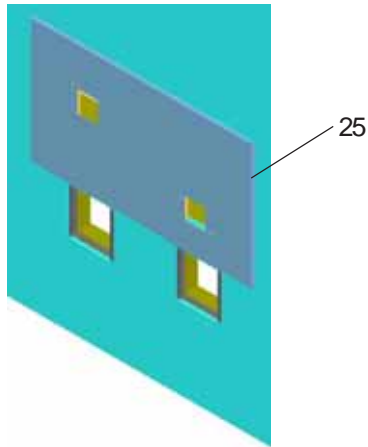


Figure 9 - Panel Installation

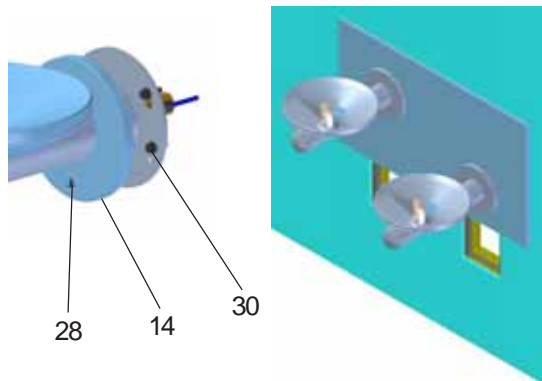


Figure 10 - Fountain Installation

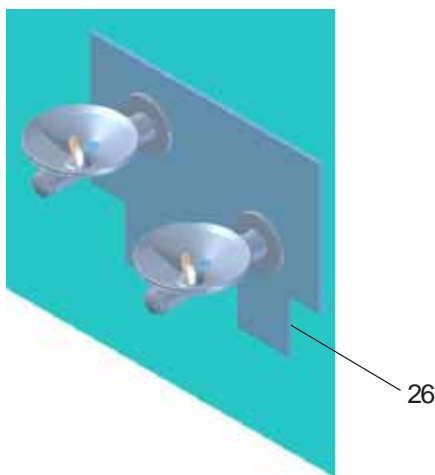
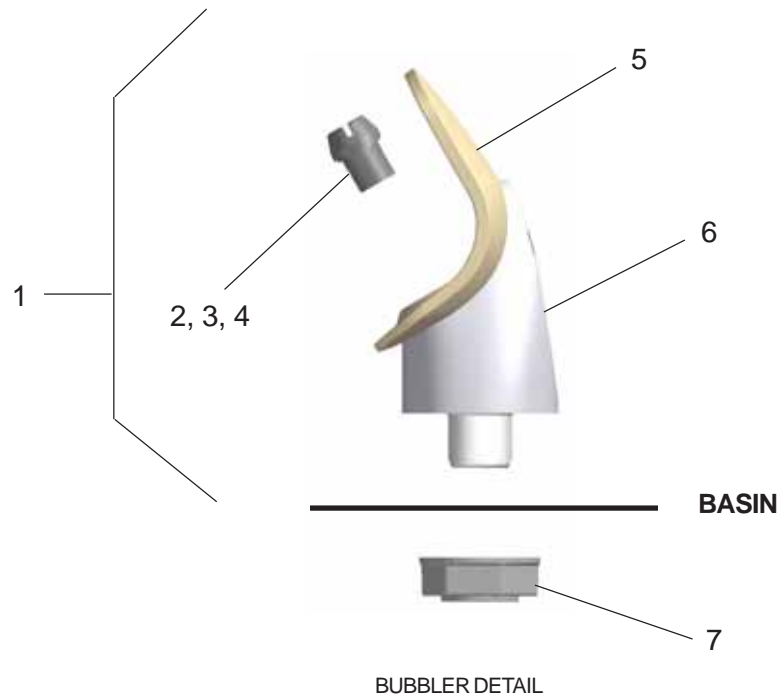


Figure 11 - AP-99 Panel (Optional)

1. **Fountains using the MPW Mounting Plate** refer to Figures 5 or 7 for hanger bracket location and rough-in dimensions.
NOTE: Review separate installation instructions for details of the MPW Mounting Plate.
Fountains using the Wall Plate Assy. refer to Fig's. 1 or 3 for rough-in dimensions.
2. Shown dimensions pertain to installation location (framing must support up to 300 lbs. weight). These dimensions are required for compliance with ANSI Standard A117.0.
3. **Install** rough-in plumbing as shown in Fig's. 1, 3, 5, or 7. Run supply water inlet line through the back panel. Install a service stop (not provided). Turn on supply water and flush thoroughly.
4. **Installing back panel.**
Ftn. w/MPW Mounting Plate: Refer to Fig. 16 for placement of braces onto back panel. Place the upper edge of the panel above the hanger bracket. Slide the panel down until it engages the hanger bracket. Be sure back panel is firmly engaged before releasing it.
Ftn. w/Wall Plate Assy.: Place the upper edge of the panel above mounting plate on the wall. Slide the panel down until it engages the mounting plate. Be sure back panel is firmly engaged before releasing it. (See Figure 9)
5. **Install fountain.** Remove screw (Item 28) from cover plate and slide cover plate (Item 14) toward basin. (See Figure 10)
Ftn. w/MPW Mounting Plate: Mount the fountain to the back panel and wall using (4) 5/16" x 6" long threaded rods, washers, and nuts (provided). Tighten securely.
Ftn. w/Wall Plate Assy.: Mount the fountain to the back panel and wall plate assy. with (4) 5/16" x 1" (25mm) long screws (Item 30 - provided). Tighten securely.
6. **Determine** required length of waste line and cut to appropriate length. 1-1/4" O.D. waste tube furnished. 1-1/4" slip trap, waste elbow and extension not provided.
7. **Make water** supply connections from service stop to the 3/8" O.D. unplated copper tube coming out of the strainer. Turn on water supply and check for leaks (See Figure 17). Newly installed water supply line should be insulated after leak check is completed.

CAUTION: DO NOT SOLDER tubes inserted into the strainer as damage to the o-rings may result.

8. **These** products are designed to operate on 20-105 PSIG supply line pressure. If the inlet pressure is above 105 PSIG, a pressure regulator must be installed in the supply line. Any damage caused by reason of connecting these products to supply line pressures lower than 20 PSIG or higher than 105 PSIG is not covered by warranty.
9. **Check** stream height from bubbler. Stream height is factory set at 35 PSI. If supply pressure varies greatly from this, remove push button (Item 17 - Figure 14) and adjust the screw on the regulator (Item 19 - Figure 14). To remove push button, remove setscrew from bottom of sleeve (Item 15). Insert a small punch in screw hole and push up while grasping the push button and pull forward removing the push button. Clockwise adjustment will raise stream height and counterclockwise movement will lower stream height. For best adjustment stream should hit basin approximately 6-1/2" from the bubbler. Reassemble the push button by pushing in on button until the push button catches in the sleeve. Reinstall the setscrew (Item 31) in the sleeve (Item 15).



NOTE:
When installing replacement bubbler and pedestal, tighten nut (Item 7) only to hold parts snug in position. Do Not Overtighten.

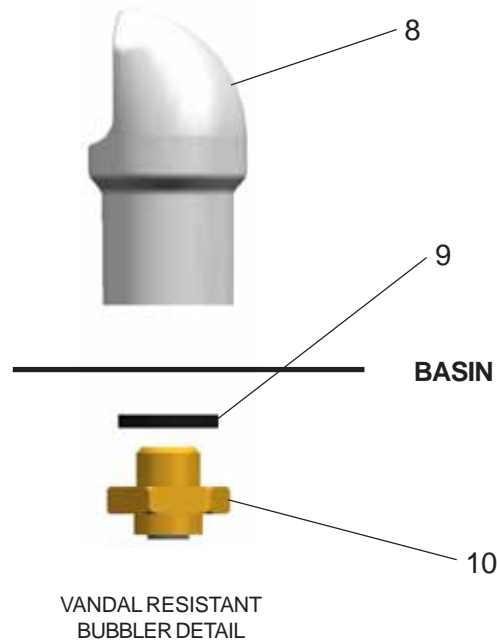


Figure 12 - Bubbler Details

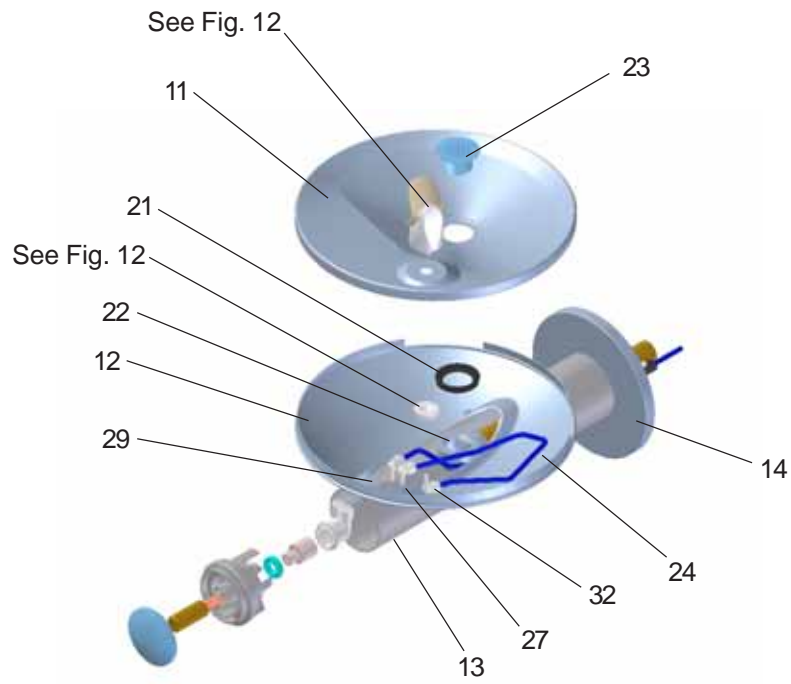


Figure 13 - Fountain Body

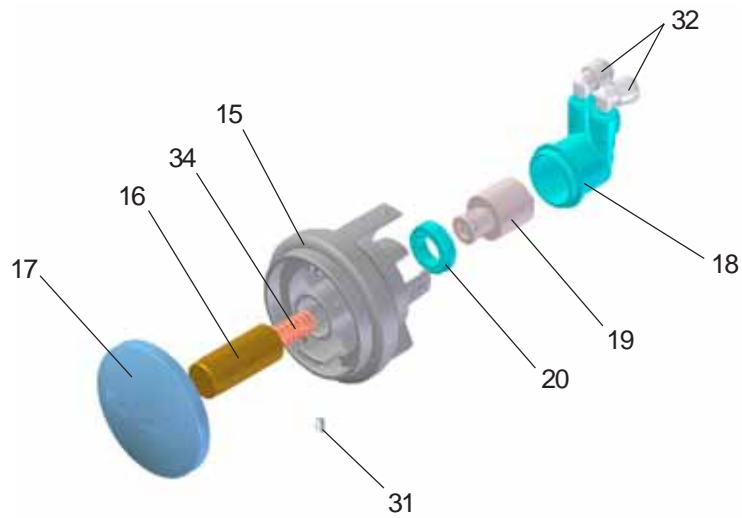


Figure 14 - Push Button

TROUBLESHOOTING & MAINTENANCE

Orifice Assembly: Mineral deposits on orifice can cause water flow to spurt or not regulate. Mineral deposits may be removed from the orifice by poking with a small round file not over 1/8" diameter, or using a small diameter wire.

CAUTION: DO NOT file or cut orifice material.

Stream Regulator: If orifice is clean, regulate flow as in Step 8 of the installation instructions. If replacement is necessary, see parts list for correct regulator part number.

Actuation of Quick Connect Water

Fittings: Cooler is provided with lead-free connectors which utilize an o-ring water seal. To remove tubing from the fitting, relieve water pressure, push in on the gray collar while pulling on the tubing. (See Figure 15) To insert tubing, push tube straight into fitting until it reaches a positive stop (approximately 3/4").

OPERATION OF QUICK CONNECT FITTINGS

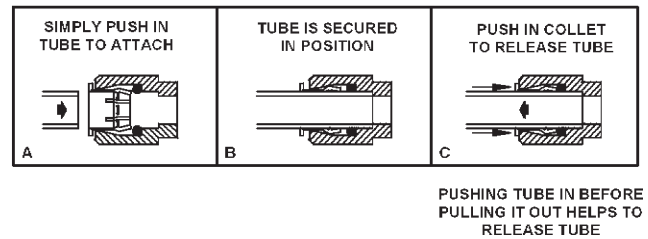


Figure 15 – Quick Connect Fittings

PARTS LIST		
ITEM NO.	PART NO.	DESCRIPTION
1	56073C	Bubbler Assy
2	40319C	Fitting - Orifice
3	50171C	O-Ring
4	50314C	Orifice - Flow Straightener
5	56011C	Housing Assembly
6	55997C	Pedestal
7	75580C	Bubbler Locknut
8	98118C	Bubbler Assembly VR
9	100322740560	Gasket - Black .68 x 1.03 VR
10	15009C	Nipple - Bubbler VR
11	28474C	Basin - Swirlflow
12	28473C	Lower Shell
13	45767C	Fountain Body
14	28343C	Cover Plate
15	45781C	Sleeve
16	45847C	Pin - Push Button
17	45848C	Push Button
18	50986C	Holder - Regulator
19	61313C	Regulator
20	15005C	Retaining Nut
21	56163C	Gasket - Drain
22	45769C	Assy - Drain/Tailpipe
23	45768C	Drain - Plug 1-1/2"
24	56092C	Poly Tubing (Cut To Length)
25	28392C	Back Panel RH ADA
	28393C	Back Panel LH ADA
26	AP99	AP-99 Panel (Optional)
27	111008343890	Screw - #10-24 x .62 HHMS
28	70432C	Screw - #8-32 x .38 THSM
29	38417001	Screw - #8-18 x .37 HHSM
30	75560C	Screw - 5/16-18 x 1.00 HHMS
31	75632C	Setscrew - #10-32 x .31
32	70817C	Ftng - Elbow 1/4 x 1/4
33	55996C	Strainer
34	75671C	Spring - Push Button
35	28844C	Back Panel Assy RH ADA
	28845C	Back Panel Assy LH ADA
NS	27090C	Hanger Bracket

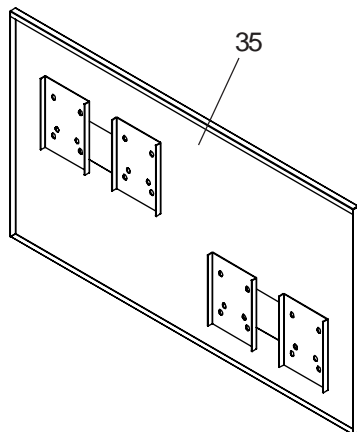


Figure 16 – Back Panel Assembly

Installing Back Panel: When installing back panel assy. (Item 35) with MPW (Mounting Plate), attach channel braces as shown above. Remove the protective backing from the tape installed on the braces. Line up the corresponding holes in the braces and back panel and press firmly in place.

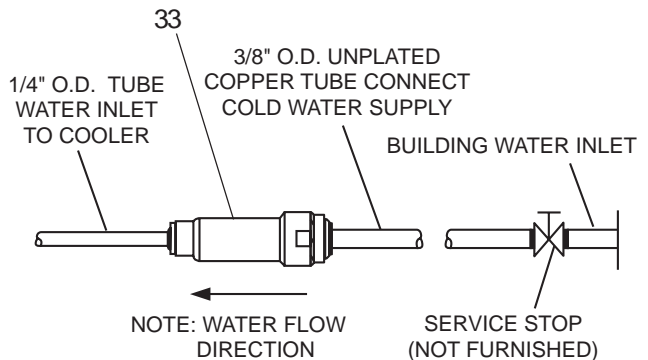


Figure 17 – Water Supply Connections