

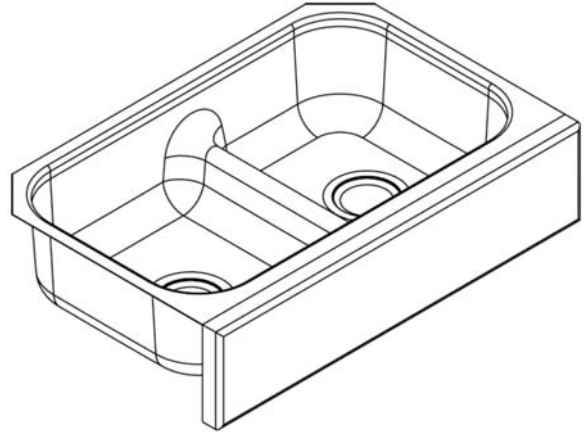
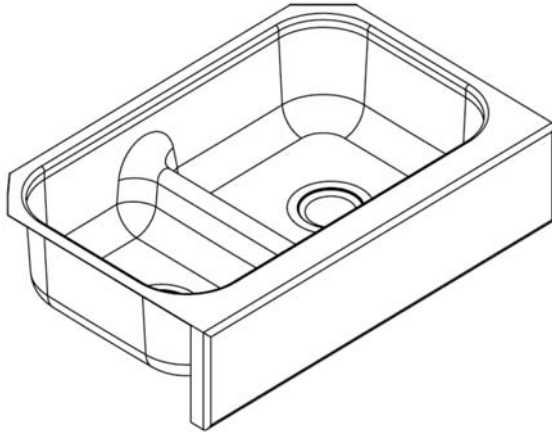
**ELKAY**<sup>®</sup>

sinks + faucets

# Installation Instructions

## Undermount Double Bowl Apron Sinks

### EAQDUHF SERIES

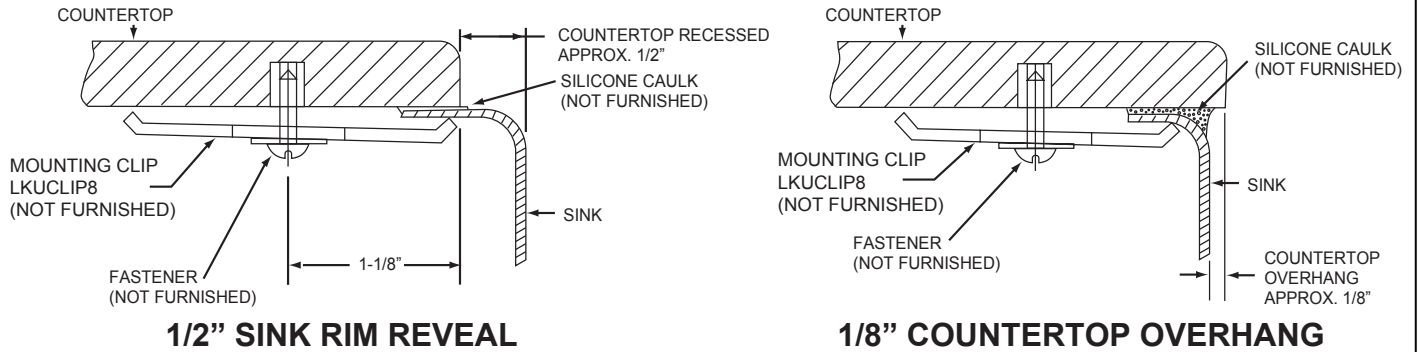


---

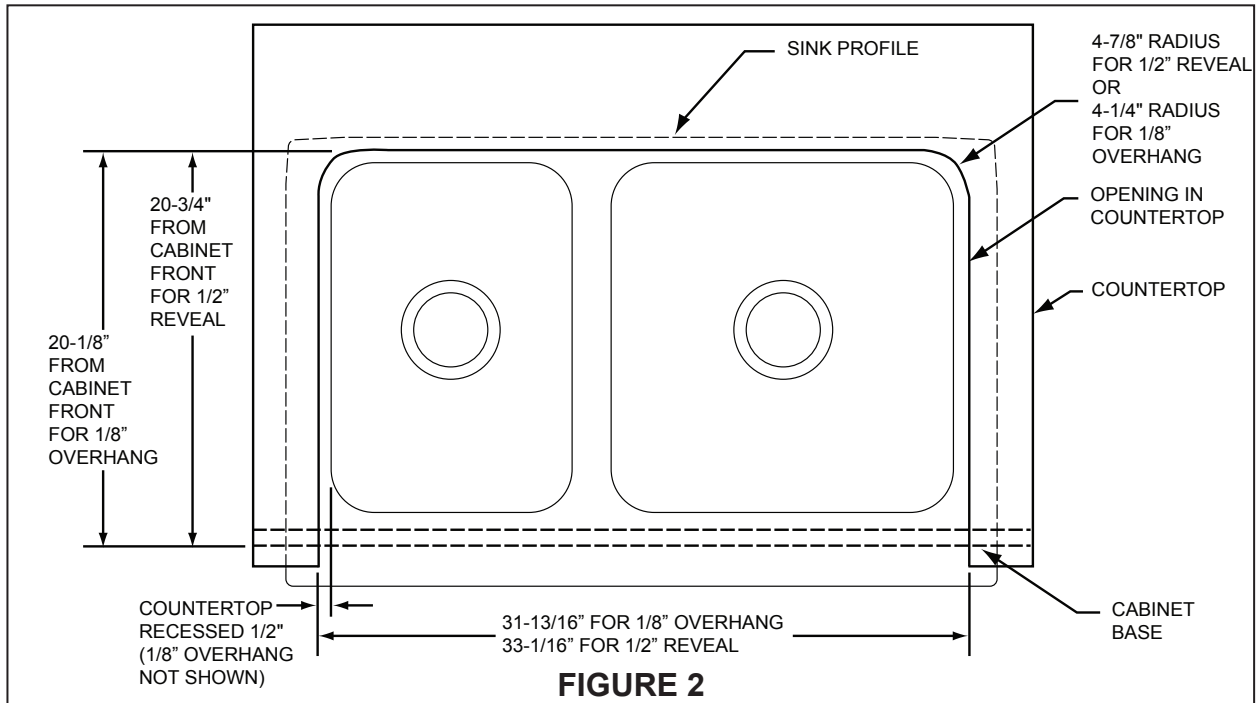
**ATTENTION INSTALLER: CAREFULLY READ THESE INSTRUCTIONS BEFORE YOU BEGIN**

- 1) **ELKAY RECOMMENDS THAT UNDERMOUNT SINKS SHOULD BE INSTALLED BY A PROFESSIONAL EXPERIENCED INSTALLER.**
  - 2) **WARNING: DUE TO THE CUSTOM NATURE OF THIS TYPE OF INSTALLATION, NO CUTOUT TEMPLATE IS INCLUDED. ELKAY RECOMMENDS PROVIDING THE CABINET MAKER WITH THE ACTUAL SINK TO BE INSTALLED PRIOR TO CABINET FABRICATION. IT IS RECOMMENDED THAT THE SINK IS INSTALLED WITH A 1/2" COUNTERTOP REVEAL OR 1/8" OVERHANG AS ILLUSTRATED IN FIGURE 1. IT IS FURTHER RECOMMENDED THAT THE INSTALLER(S) DISCUSS THIS WITH THE CUSTOMER AND AGREE THAT THIS FINISHED APPEARANCE IS THE DESIRED EFFECT. ELKAY MANUFACTURING COMPANY IS NOT RESPONSIBLE FOR IMPROPER SINK OR COUNTERTOP INSTALLATIONS.**
  - 3) **FOR REFERENCE, FIGURE 2 PROVIDES DIMENSIONAL INFORMATION TO ESTABLISH THE CUTOUT POSITION IN RELATIONSHIP TO THE FRONT OF THE CUSTOM CABINET.**
  - 4) **WARNING: FRONT SINK APRON MUST BE SECURED TO THE FRONT OF THE CABINET BY DRIVING FASTENERS (NOT SUPPLIED) THROUGH THE CABINET FRONT AND INTO THE SINK MOUNTING WOOD STRIPS AS ILLUSTRATED (SEE FIGURE 3). FAILURE OF THIS STEP CAN LEAD TO PRODUCT DAMAGE.**
  - 5) **PROPER INSTALLATION REQUIRES A COORDINATED EFFORT INCLUDING ADVANCED DIALOG BETWEEN THE DESIGNER (OR CUSTOMER), THE CABINET MAKER, THE COUNTERTOP FABRICATOR AND THE SINK INSTALLER DURING THE DESIGN AND INSTALLATION PHASE.**
  - 6) **ELKAY UNDERMOUNT SINKS SHOULD ONLY BE FASTENED TO A SOLID SURFACE COUNTERTOP (I.E. GRANITE/CORIAN<sup>®</sup>/SILESTONE<sup>®</sup>).**
  - 7) **A CUSTOM SINK BASE CABINET IS REQUIRED.**
  - 8) **ELKAY IS NOT RESPONSIBLE FOR SINK OR COUNTERTOP IF DAMAGED DURING INSTALLATION.**
  - 9) **METAL EDGES MAY BE SHARP - USE CAUTION WHEN HANDLING.**
  - 10) **FOLLOW ALL LOCAL PLUMBING AND BUILDING CODES.**
  - 11) **INSPECT SINK FOR DAMAGE PRIOR TO BEGINNING INSTALLATION.**
-

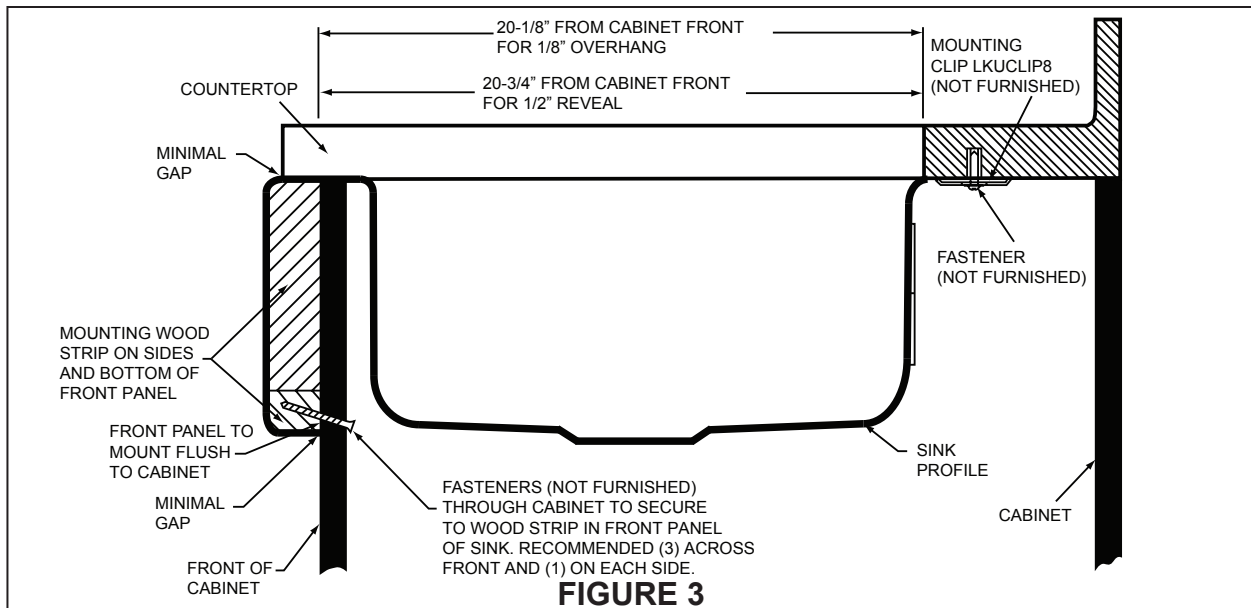
## INSTALLATION PROFILE OPTIONS



**FIGURE 1**



**FIGURE 2**



**FIGURE 3**

## Suggestions for the Care and Cleaning of your Elkay Stainless Steel Sink

### RECOMMENDED CLEANSERS

Elkay has tested general household cleansers to measure their effectiveness in cleaning stainless steel sinks. The most aggressive cleansers consist of Bar Keeper's Friend, Zud and Lawrence Right Work. Other cleansers, which are still effective, but less aggressive include Ajax, Comet, Shiny Sinks Plus, Luneta, Soft Scrub, Mr. Clean, Maas and Flitz. For everyday cleaning we recommend using Elkay's Stainless Butler Stainless Steel Cleaner + Polisher. The non-abrasive formula is safe and effective for day to day cleaning. So to help maintain the beautiful finish of your stainless steel sink, use one of the cleansers that Elkay recommends.

### RECOMMENDATIONS FOR PROPER MAINTENANCE

- **Do...**Rinse thoroughly after each use. "Thorough" rinsing can be done by running water for a few minutes and rubbing the cleaned area with a clean sponge.
- **Do...**Towel dry after each use to prevent mineral deposits from building up on the surface of the sink.
- **Do...**Clean the sink once a week, being sure to rub in the direction of the satin finish grain lines, using an Elkay recommended cleanser.
- **Do...**Use an Elkay bottom grid or rinsing basket to "protect" the finish. Bottom grids and rinsing baskets can remain in the sink and will not cause rusting or pitting.
- **Do Not...**Rub the sink across the satin finish lines. Scouring across the satin finish lines can damage the original sink finish.
- **Do Not...**Allow soap or other household cleansers to dry on the surface of the sink. Most brands contain chemical additives which will affect the original finish.
- **Do Not...**Use solutions of chlorine bleach and water in the sink. Chlorides, which are found in most soaps, detergents, bleaches, and cleansers, are very aggressive to stainless steel. If left on the sink too long they can cause surface pitting.
- **Do Not...**Use a steel wool pad to clean your sink. If a more abrasive product is needed, use a green Scotch Brite pad being sure to rub in the direction of the satin finish grain lines. Steel wool pads have a tendency to break apart and small particles of steel can become embedded in the surface of the sink. The steel particles will rust and will give the appearance that the sink itself is rusting.

- **Do Not...**Use rubber mats or dishpans in the sink. Leaving rubber mats or dishpans in the sink can lead to surface rust or possible pitting. However, if you insist on using mats or dishpans, please remove them after each use and rinse thoroughly.

- **Do Not...**Leave wet sponges, cloths, or cleaning pads on the sink. This can lead to surface rust.

Following these recommendations for the care and cleaning of your stainless steel sink will insure that it will provide you with many years of service.

### CHLORIDES

Today, chlorides are found in most all soap, detergents, bleaches and cleansers; chlorides can be aggressive to stainless steel. However, chlorides are very water soluble. Therefore, THOROUGH RINSING of your sink after each use to remove any chloride residue and a weekly cleaning is all that is required to keep your sink looking bright and shiny.

### SCRATCHES

Like many metallic surfaces, your stainless steel sink will scratch. These are merely usage scratches and over time will blend into the overall finish of your sink with proper cleaning.

### KNIVES

Your sink is designed to serve as many things but not as a cutting board or chopping block. This type of use will lead to deep scratches in the sink finish and will dull your knives. Elkay does offer various cutting boards which will provide an additional work area.

### WATER QUALITY

The quality of your water can affect your sink's appearance. If your water has a high iron content, a brown surface stain can form on the sink giving the appearance of rust. Additionally, in areas with a high concentration of minerals, or with over-softened water, a white film may develop on the sink. To combat these problems, we suggest that the sink be towel dried after use, and again, on a weekly basis, the sink should be cleaned using a recommended cleanser.

### FOODS

Heavy salt concentration or foods containing high levels of salt should not be allowed to dry on the sink surface. Rinse your sink thoroughly after use.

## ELKAY LIMITED LIFETIME SINK WARRANTY

Elkay warrants to the original purchaser of an Elkay stainless steel sink that Elkay will, at its option, replace or repair, without charge, such product if it fails due to a manufacturing defect for a lifetime of normal residential use. Product replacement does not include transportation cost or labor installation cost. This warranty covers only stainless steel self-rimming drop-in sinks installed in a conventional countertop surface and stainless steel undermount sinks installed in a conventional solid surface countertop and applies to residential installations only. Elkay reserves the right to examine product in question and its installation prior to replacement.

### WASTE FITTINGS AND ACCESSORIES ARE NOT WARRANTED OTHER WARRANTY CONDITIONS ON SINKS

This warranty applies to sinks purchased after March 1st 2001 as shown on the purchaser's dated receipt. For sinks purchased prior to March 1st 2001, the applicable warranty at that time will be in effect. Our warranty does not cover product failure or damage caused by the use of optional Elkay accessories, abusive treatment, misuse, environmental factors, normal wear including dents and scratches, improper care and cleaning, use of aggressive and abrasive cleaners, damage due to handling or failure to follow the recommended procedures for installation, care and maintenance as detailed in the installation and care guide provided with every sink. This warranty is extended only to the original consumer purchaser of the product. This warranty does not cover shipping costs, labor costs, or any other charges for such items as installation or replacement of the sink, diagnosis or replacement of any faucet or component part, or any other expense or loss.

**All incidental or consequential damages are specifically excluded. No additional warranties, express or implied are given, including but not limited to, any implied warranty of merchantability or fitness for a particular purpose.**

Some states do not allow the exclusion or limitation of incidental or consequential damages or limitations on how long an implied warranty lasts, so the above limitations or exclusions may not apply to you.

This warranty gives you specific legal rights, and you may also have other rights which vary from state to state.

### TO OBTAIN SERVICE UNDER WARRANTY

1. Write to: Elkay Manufacturing Company  
Attention: Consumer Services  
2222 Camden Court  
Oak Brook, IL 60523
2. Include a letter containing the following information:
  - a. Date of purchase and installation
  - b. Proof of Purchase (copy of original dated invoice)
  - c. Description of nature of defect
  - d. Model number or description of model and/or component part if possible.