

ELKAY[®]

SPECIFICATIONS

Lustertone[®] Single Bowl Classroom Sink and Sink Packages Single Ledge – Models DRKR2217 and DRKRQ2217 Series Models DRKAD2217 and DRKADQ2217 Series – ADA Compliant

GENERAL

Highest quality sink bowl seamlessly formed of #18 gauge, type 304 (18-8) nickel bearing stainless steel. Top Mount.

OTHER

Drain Opening: 3-1/2" (89mm).

Suffix "L" (left) or "R" (right) designates the side of the faucet that the wing handle is mounted.

Slotted holes allow for vandal-resistant faucet and bubbler.

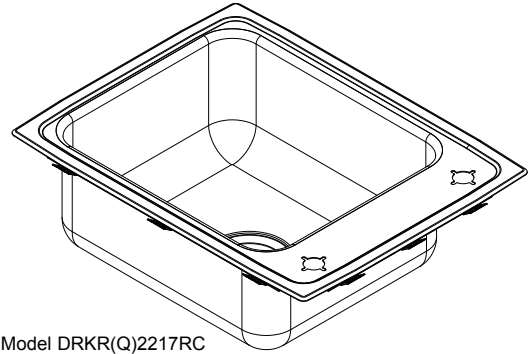
Sink complies with ASME A112.19.3/ CSA B45.4



Sinks are listed by IAPMO[®] as meeting the applicable requirements of the Uniform Plumbing Code[®], International Plumbing Code[®], and National Plumbing Code of Canada.



Both the faucet and the bubbler are classified by Underwriters Laboratories Inc. to NSF/ANSI61 for residential use.



Model DRKR(Q)2217RC

SINK DIMENSIONS (INCHES)*

U-Channel Model Number	Quick-Clip Model Number	Overall		Inside Bowl			3 1/2" Drain Openings	Cutout in Countertop (1 1/2" Radius Corners)		No. of Faucet Holes (see back page)	Minimum Cabinet Size	Ship. Wt. Lbs.
		L	W	L	W	D		L	W			
†DRKR2217	†DRKRQ2217	22 (559mm)	17 (431mm)	16 (406mm)	13 1/2 (343mm)	7 5/8 (194mm)	Centered	21 3/8 (543mm)	16 3/8 (416mm)	1 or 2	27 (686mm)	12 3/4
DRKR2217LC	DRKRQ2217LC	22 (559mm)	17 (431mm)	16 (406mm)	13 1/2 (343mm)	7 5/8 (194mm)	Centered	21 3/8 (543mm)	16 3/8 (416mm)	2	27 (686mm)	19
DRKR2217LVRC	DRKRQ2217LVRC	22 (559mm)	17 (431mm)	16 (406mm)	13 1/2 (343mm)	7 5/8 (194mm)	Centered	21 3/8 (543mm)	16 3/8 (416mm)	2	27 (686mm)	19
DRKR2217RC	DRKRQ2217RC	22 (559mm)	17 (431mm)	16 (406mm)	13 1/2 (343mm)	7 5/8 (194mm)	Centered	21 3/8 (543mm)	16 3/8 (416mm)	2	27 (686mm)	19
DRKR2217RVRC	DRKRQ2217RVRC	22 (559mm)	17 (431mm)	16 (406mm)	13 1/2 (343mm)	7 5/8 (194mm)	Centered	21 3/8 (543mm)	16 3/8 (416mm)	2	27 (686mm)	19
†DRKAD2217	†DRKADQ2217	22 (559mm)	17 (431mm)	16 (406mm)	13 1/2 (343mm)	**	Centered	21 3/8 (543mm)	16 3/8 (416mm)	1 or 2	27 (686mm)	12 3/4

* Length is left to right. Width is front to back.

** Available in 4", 4-1/2", 5", 5-1/2", 6" and 6-1/2" depths. Please consult your sales representative for other depths or modifications.

† Unless otherwise specified, all sinks which do not have suffix "C" are **less fittings** (no faucet, bubbler or drain), but are drilled for faucet, bubbler and drain as illustrated.

CLASSROOM/INSTITUTIONAL SINK PACKAGE

Models DRKR(Q)2217LC and DRKR(Q)2217RC include:

(1) LKD208513LC or LK208513C Faucet

(1) LK1141A No Lead Flexi-Guard[®] Bubbler.

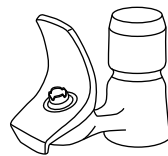
(1) LK35 Duo strainer.

DRKR(Q)2217LVRC or DRKR(Q)2217RVRC Package includes:

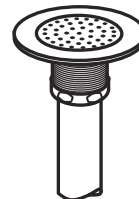
(1) LKDVR208513LC or LKDVR208513C. Same as LKD208513LC or LK208513C faucet, except with vandal-resistant aerator and handle screw and anti-rotation feature.

(1) LKVR1141A Same as LK1141A except vandal-resistant, with metal bubbler guard and anti-rotation feature.

(1) LKVR18 Drain fitting with vandal-resistant 3" perforated grid strainer.



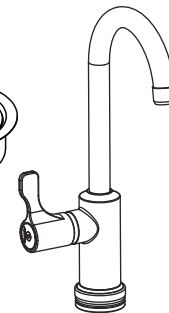
LK1141A



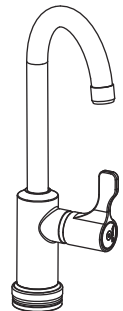
LKVR18



LK35



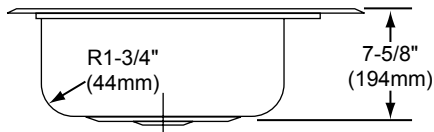
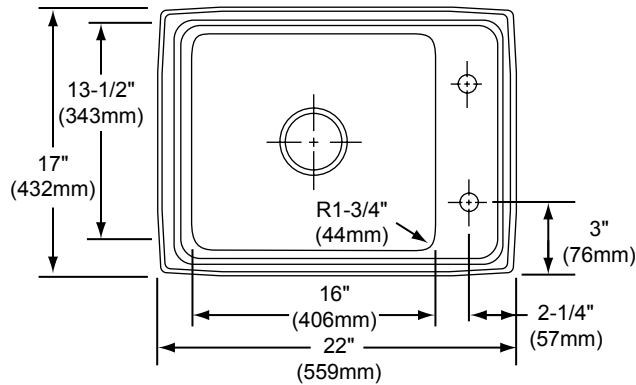
LKD208513LC
LKDVR208513LC



LK208513C
LKDVR208513C

In keeping with our policy of continuing product improvement, Elkay reserves the right to change product specifications without notice. Please visit elkay.com for the most current version of Elkay product specification sheets.

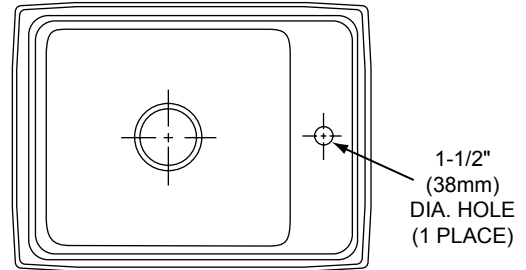
This specification describes an Elkay product with design, quality, and functional benefits to the user. When making a comparison of other producers' offerings, be certain these features are not overlooked.



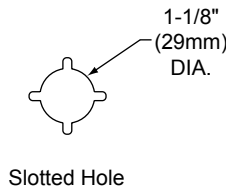
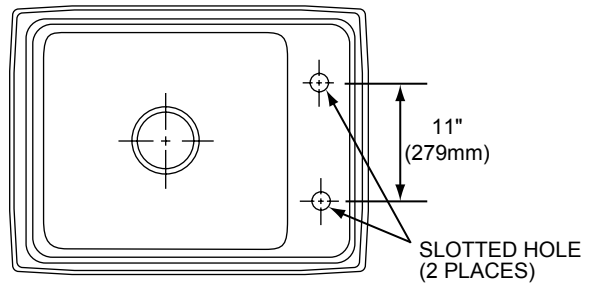
Model DRKRQ22172 Illustrated

HOLE DRILLING CONFIGURATIONS

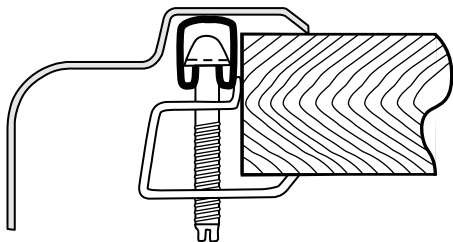
1 HOLE CONFIGURATION



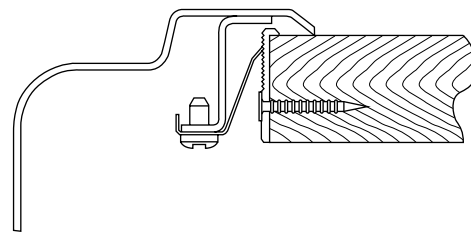
2 HOLE CONFIGURATION



U-Channel Type Mounting System



Quick-Clip® Mounting System



† THIS PRODUCT, AS CONSTRUCTED IS SUBJECT TO INTERPRETATION OF A.D.A. REQUIREMENTS. THE UNOBSTRUCTED KNEE SPACE REQUIRED TO SATISFY A.D.A. STANDARDS MAY NOT BE DESIRABLE.

In keeping with our policy of continuing product improvement, Elkay reserves the right to change product specifications without notice. Please visit elkay.com for the most current version of Elkay product specification sheets.

This specification describes an Elkay product with design, quality, and functional benefits to the user. When making a comparison of other producers' offerings, be certain these features are not overlooked.