

ELKAY[®]

SPECIFICATIONS

Hand Wash-Up Sink with Side Splashes, Sensor Faucet and Pedestal – AC or Battery Powered Model CHSP1716LRSSAC

GENERAL

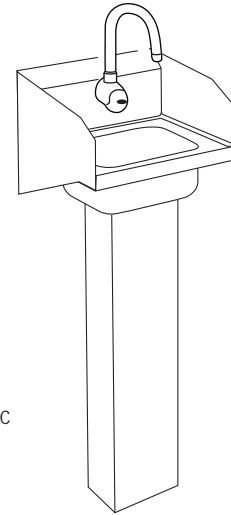
CHSP1716LRS Type 304 (18-8) stainless steel hand wash-up sink with 7" (178mm) high right and left side splashes. Basin has 1-3/4" (45mm) radius coved corners. Full length 7" (178mm) high backsplash. Exposed surfaces have a brushed finish. Furnished with stainless steel pedestal and wall hanger. Carries NSF International Certification.

(CHECK MODEL SPECIFIED)

MODEL	FAUCET	DRAIN	TRAP	MIXING VALVE
CHSP1716LRSSACC	LKB722C	LK8	LK500	NONE
CHSP1716LRSSACMC	LKB722C	LK8	LK500	LK724
CHSP1716LRSSACTMC	LKB722C	LK8	LK500	LK723

LKB722C Sensor-operated, backsplash-mounted, non-mixing gooseneck faucet with adjustable sensor eyes. A continuous beam is emitted from sensor and faucet is activated when hands are placed under the spout. Water will flow as long as hands remain within sensor range. When hands are removed, the water stops automatically based on shut-off delay setting. The sensor then resets for the next user.

Chrome-plated solid brass construction with 2.0gpm laminar flow control on spout end. Includes water-resistant sensor control module and power cables. Features dual power options: AC plug-in and battery holder with four AA batteries. Slow-closing piston operated solenoid valve, in-line filter with clean-out trap and flexible supply hose. Control circuit is solid state, has adjustable sensor range of 7/8" (22mm) to 6-3/4" (171mm), shut-off delay preset to 1 second and field adjustable to 2 seconds (to prevent sink overflow).



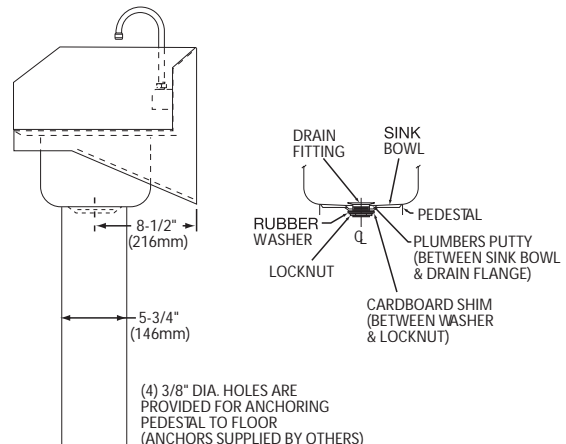
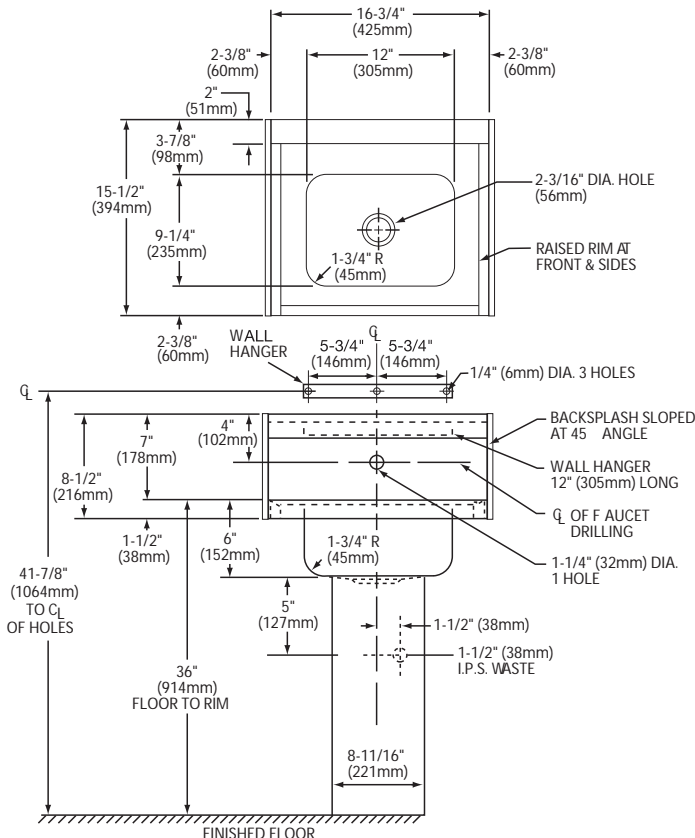
Model CHSP1716LRSSACC
(Pedestal Mount)

LK8 Chrome plated grid strainer with 1-1/2" (38mm) O.D. tailpiece.

LK500 Satin chrome cast brass "P" trap with cleanout, chrome plated 1-1/2" (38mm) O.D. tubing waste arm to wall, and wall flange.

LK723 Anti-scald thermostatic mixing valve with nickel-plated brass body 1/2" (13mm) SWT inlets and outlet connections, check valves on inlets and a mixed temperature range of 80°- 120 °F. Certified under ASSE1016.

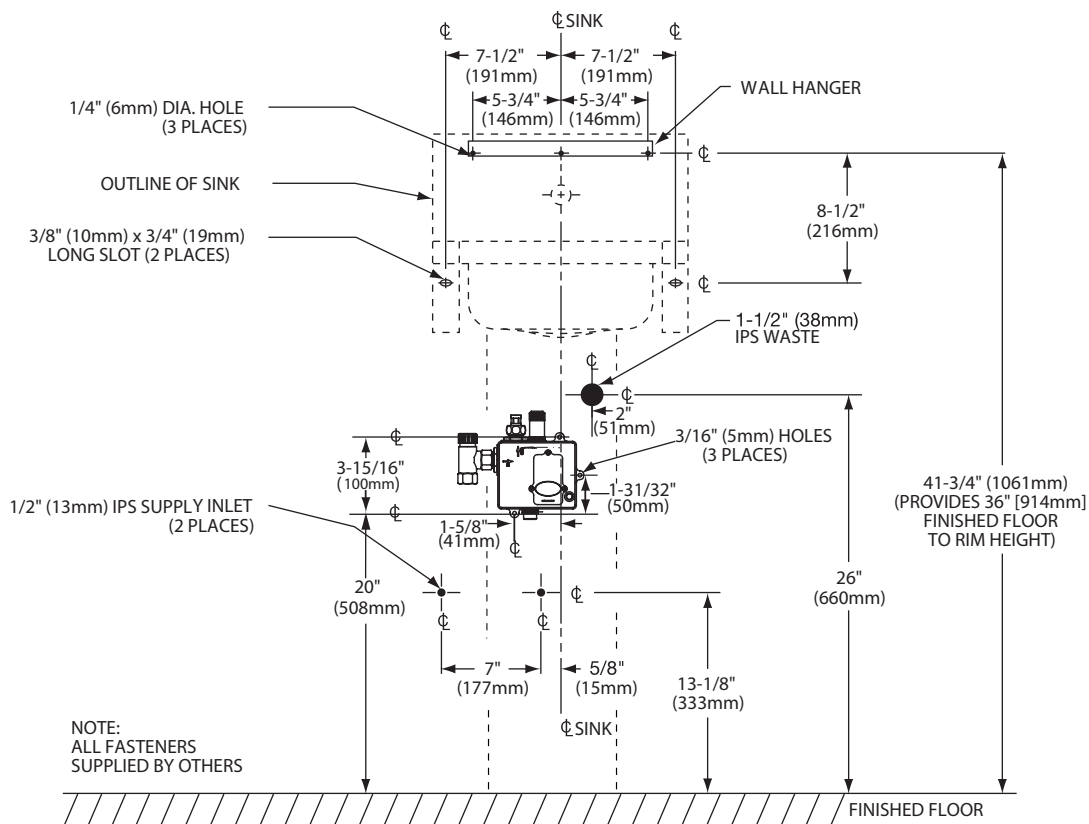
LK724 Mechanical mixing valve with C.P. brass body, 3/8" (10mm) compression inlets and outlet connections, and check valves on inlets.



In keeping with our policy of continuing product improvement, Elkay reserves the right to change product specifications without notice.

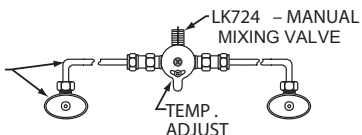
**Hand Wash-Up Sink with Side Splashes,
Sensor Faucet and Pedestal - AC or Battery Powered
Model CHSP1716LRSSAC**

ELKAY
ROUGH-IN DIMENSIONS



FOR CHSP1716LRSSACMC

STOP VALVES,
FITTINGS &
3/8" (10mm)
SUPPLY LINES
(NOT SUPPLIED)



FOR CHSP1716LRSSACTMC

LK723
THERMOSTATIC
MIXING VALVE

