

SPECIFICATIONS

GENERAL

CHS1716LRSC Type 304 (18-8) stainless steel hand wash-up sink with 7" (178mm) high right and left side splashes. Basin has 1-3/4" (45mm) radius coved corners. Full length 7" (178mm) high backsplash. Exposed surfaces have a brushed finish. Furnished with a wall hanger and integral stainless steel support brackets. Carries NSF International Certification.

FURNISHED COMPLETE WITH:

SUPPLY: **LK499A** Chrome plated gooseneck spout faucet with AE13A aerator.

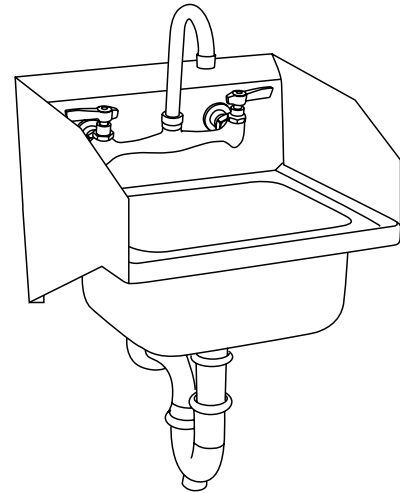
DRAIN: **LK8** Chrome plated stamped brass perforated strainer grid. 1-1/2" (38mm) O.D. x 4" (102mm) tailpiece.

TRAP: **LK500** Chrome plated cast brass 1-1/2" (38mm) O.D. "P" trap with cleanout, 1-1/2" (38mm) O.D. waste arm to wall, and wall flange.

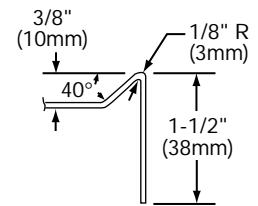
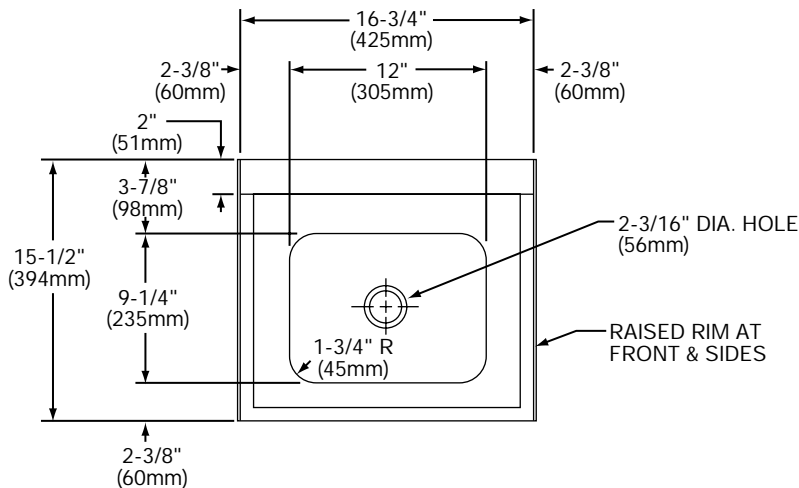
FOLLOWING MODEL DOES NOT INCLUDE FAUCET AND FITTINGS:

CHS1716LRS

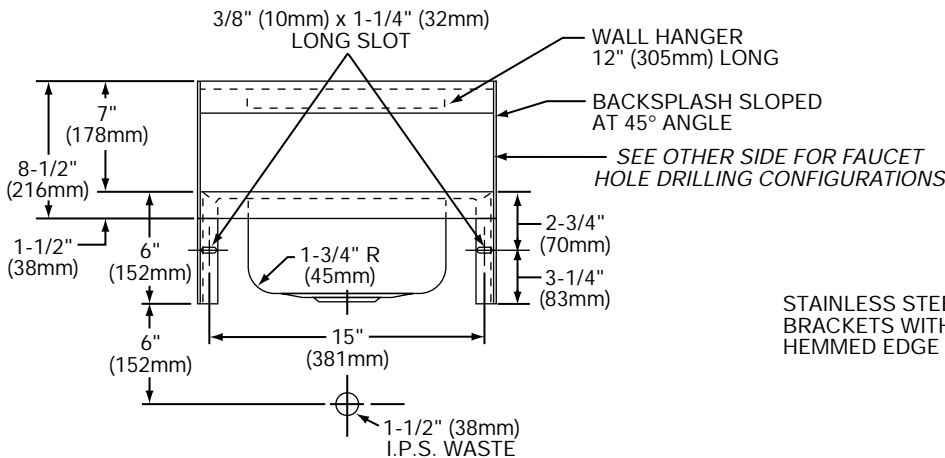
SPECIFY FAUCET DRILLINGS AND LOCATION.
 (See other side for standard faucet hole drilling configurations.)



Model CHS1716LRSC



SECTION THROUGH RIM

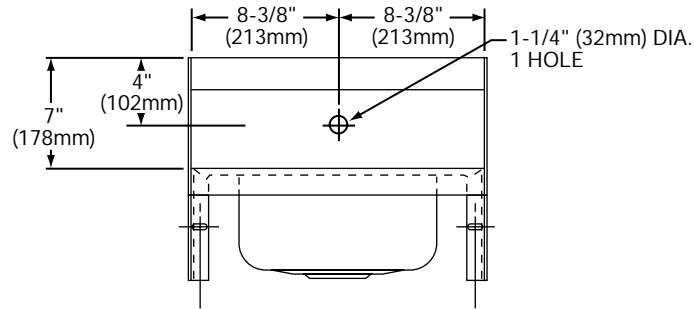


Model CHS1716LRSC Illustrated

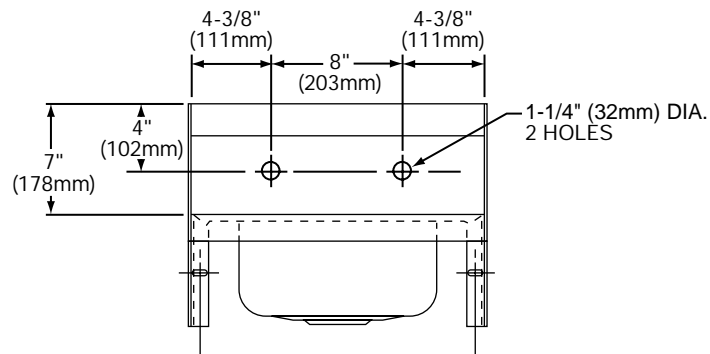
In keeping with our policy of continuing product improvement, Elkay reserves the right to change product specifications without notice.

SPECIFICATIONS

HOLE DRILLING CONFIGURATIONS



CHS1716LRS1



CHS1716LRS2