

# ELKAY<sup>®</sup>

## SPECIFICATIONS

### Celebrity<sup>®</sup> Classroom Sink and Sink Packages Models CDKR2517, CDKAD2517, and CDKRC2517 Series

#### GENERAL

Good quality sink formed of #20 gauge, type 304 (18-8) nickel bearing stainless steel. Top Mount.

#### DESIGN FEATURES

Sink Bowl Depth: 6-7/8" (175mm) (CDKR2517 series), 6-1/2" (165mm) (CDKAD2517 series).

Coved Corners: 3" (76mm) vertical and 2-1/4" (57mm) horizontal radius.

Bowl and Faucet Deck Recess: 3/16" (5mm) below outside edge of sink.

Finish: Exposed surfaces are polished to a highlighted Celebrity bright finish.

Underside: Fully undercoated to dampen sound and reduce condensation.

#### OTHER

Drain Opening: 3-1/2" (89mm).

Select faucet and bubbler holes are slotted to allow for vandal-resistant faucet and bubbler. See side 2 for illustration.

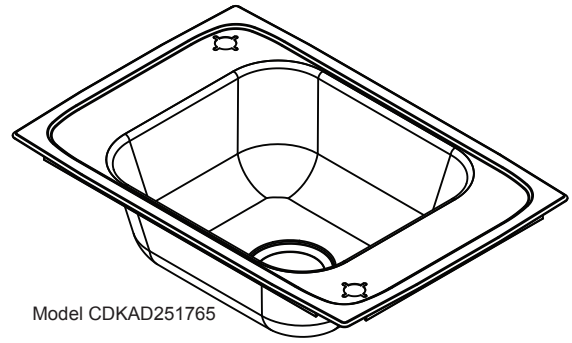
NOTE: Unless otherwise specified, sink is furnished with 2 faucet holes as illustrated.

Package model numbers include all components shipped in a single carton. VRC suffix represents packages that have vandal-resistant components.

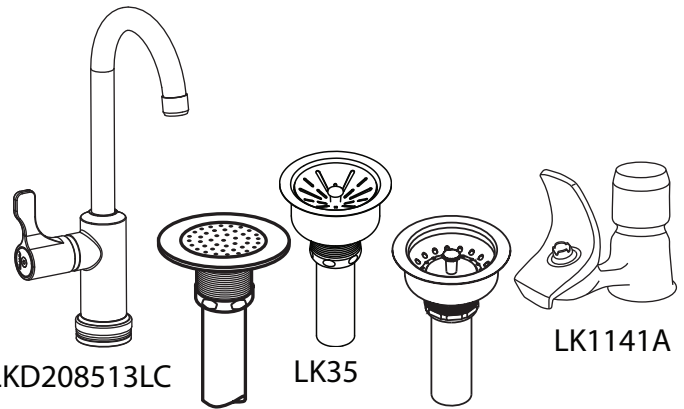
Sink complies with ASME A112.19.3/ CSA B45.4



Sinks are listed by IAPMO<sup>®</sup> as meeting the applicable requirements of the Uniform Plumbing Code<sup>®</sup>, International Plumbing Code<sup>®</sup>, and National Plumbing Code of Canada.



Model CDKAD251765



#### SINK DIMENSIONS (INCHES)\*

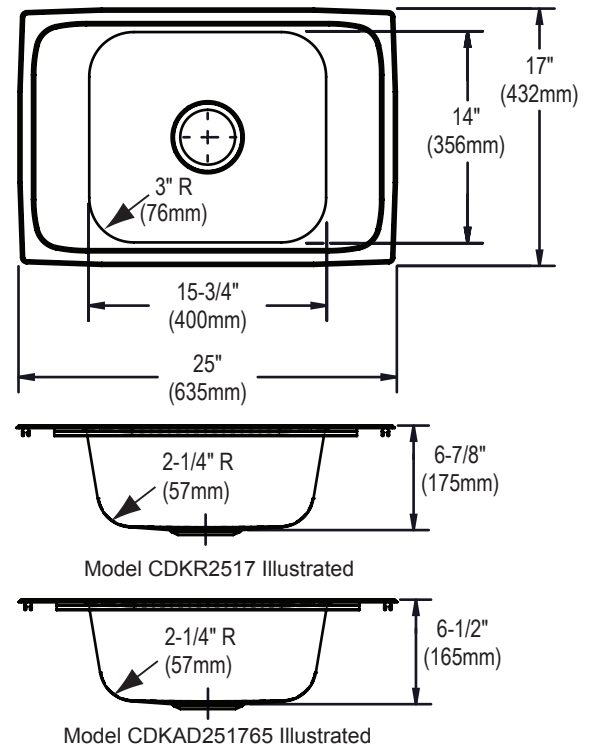
Model Number	Overall		Inside Bowl			Cutout in Countertop (1-1/2" Radius Corners)		No. of Faucet Holes	Minimum Cabinet Size
	L	W	L	W	D	L	W		
CDKR2517	25 (635mm)	17 (431mm)	15 3/4 (400mm)	14 (356mm)	6 7/8 (175mm)	24 3/8 (619mm)	16 3/8 (416mm)	2, 2LM or 4	30
CDKAD251765	25 (635mm)	17 (431mm)	15 3/4 (400mm)	14 (356mm)	6 1/2 (165mm)	24 3/8 (619mm)	16 3/8 (416mm)	2, 2LM or 4	30

\*Length is left to right. Width is front to back.

#### PACKAGE DETAILS

Package Model Number	Sink Model Number	Faucet Model Number	Bubbler Model Number	Drain Model Number
CDKAD2517C	CDKAD2517652	LKD208513LC	LK1141A	LK35
CDKAD2517VRC	CDKAD2517652	LKDVR208513LC	LKVR1141A	LKVR18
CDKR2517C	CDKR25172	LKD208513LC	LK1141A	LK35
CDKR2517VRC	CDKR25172	LKDVR208513LC	LKVR1141A	LKVR18
CDKRC2517C	CDKR25172	LKD20858C	LK1141A	LKJ35
CDKRC2517VRC	CDKR25172	LKD20858LC	LKVR1141A	LKVR18

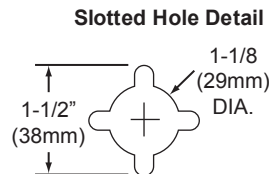
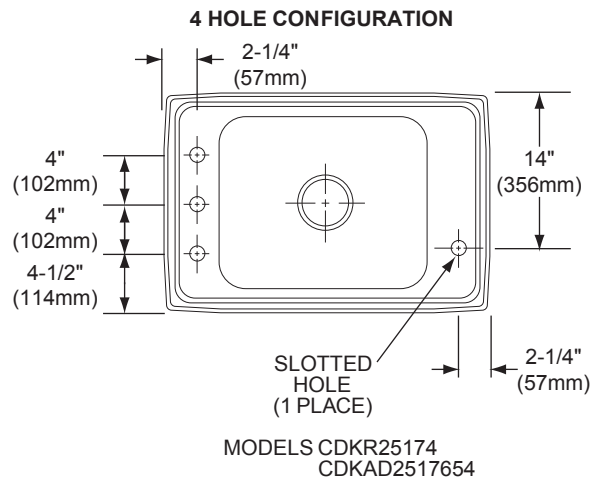
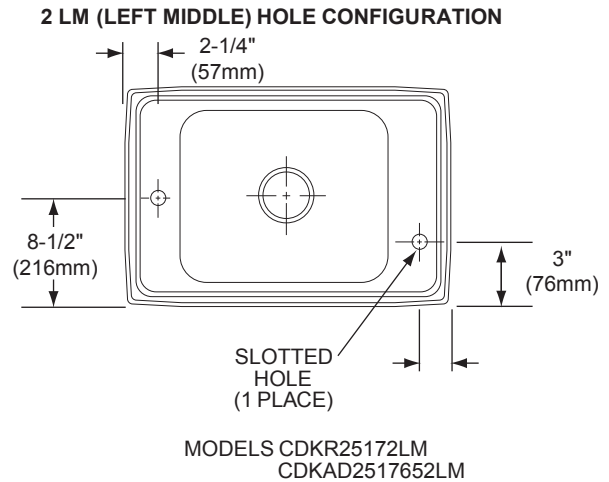
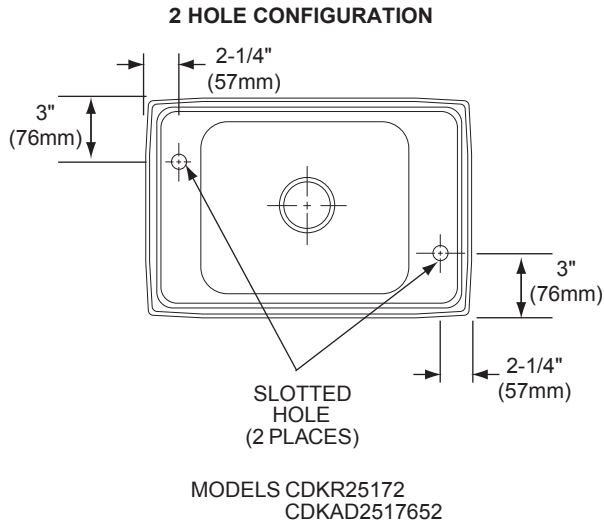
THIS PRODUCT, AS CONSTRUCTED IS SUBJECT TO INTERPRETATION OF A.D.A. REQUIREMENTS. THE UNOBSTRUCTED KNEE SPACE REQUIRED TO SATISFY A.D.A. STANDARDS MAY NOT BE DESIRABLE.



In keeping with our policy of continuing product improvement, Elkay reserves the right to change product specifications without notice. Please visit [elkay.com](http://elkay.com) for the most current version of Elkay product specification sheets.

This specification describes an Elkay product with design, quality, and functional benefits to the user. When making a comparison of others producers offerings, be certain these features are not overlooked.

**HOLE DRILLING CONFIGURATIONS**



*In keeping with our policy of continuing product improvement, Elkay reserves the right to change product specifications without notice. Please visit [elkay.com](http://elkay.com) for the most current version of Elkay product specification sheets.*

*This specification describes an Elkay product with design, quality, and functional benefits to the user. When making a comparison of others producers offerings, be certain these features are not overlooked.*