

# ELKAY® SPECIFICATIONS

## Accessory Apron Model 98234C

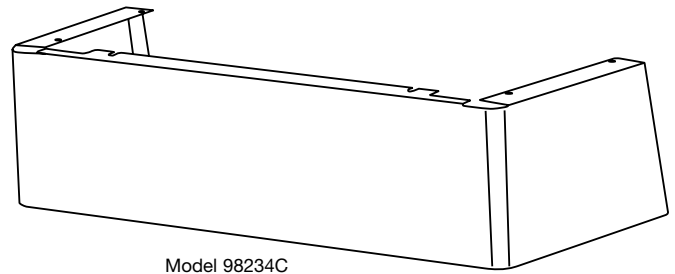
### GENERAL

Accessory apron designed to bring Elkay VRC series vandal-resistant water coolers in compliance with the Americans with Disabilities Act (A.D.A.) when units are mounted on an exposed wall. This apron provides the mandatory 27" (686mm) floor to underside requirement when properly installed.\*

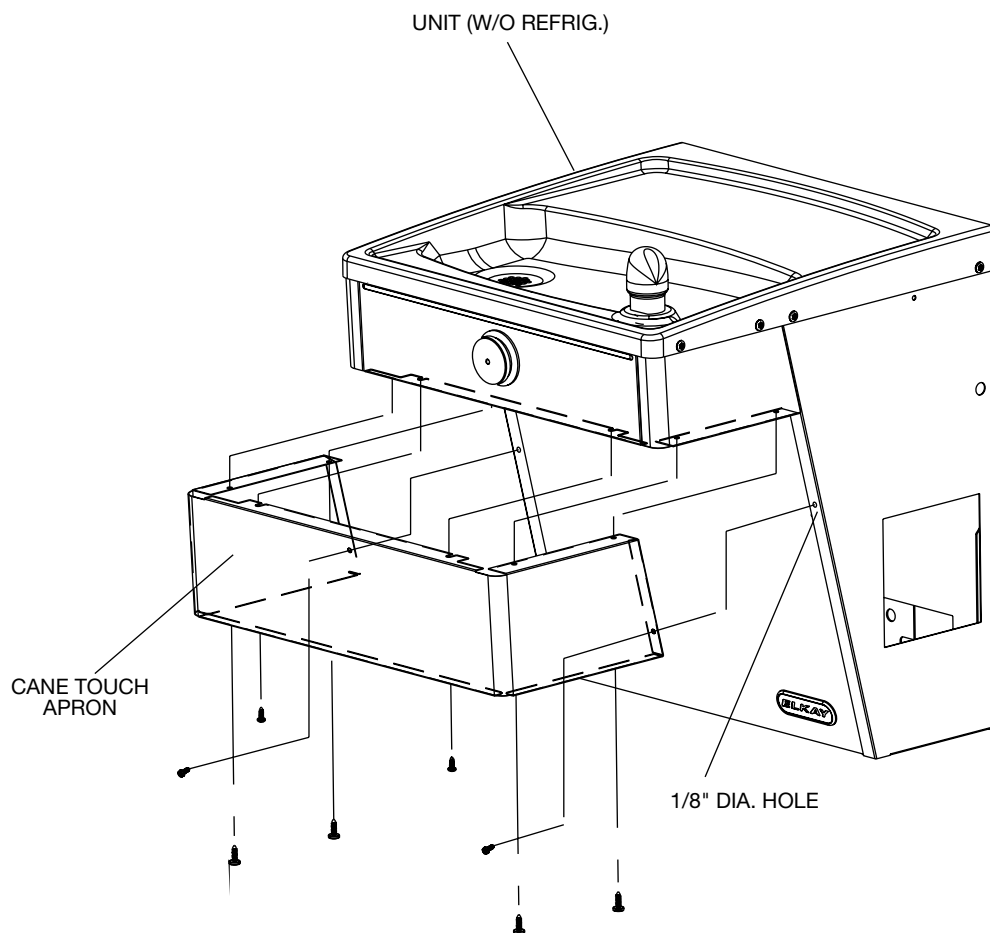
### CONSTRUCTION

300 Series stainless steel construction.

\*Adult ADA requirement. 24" (609mm) for child ADA requirement. Adjust all other measurements accordingly.



Model 98234C



*In keeping with our policy of continuing product improvement, Elkay reserves the right to change product specifications without notice.*

*This specification describes an Elkay product with design, quality and functional benefits to the user. When making a comparison of other producers' offerings, be certain these features are not overlooked.*