

PRODUCT SPECIFICATIONS

Circuit Chef[®] Stainless Steel 17-3/4" x 8" x 4-1/2" Colander with Black Polymer Handles. Overall dimensions are 17-3/4" x 8" x 4-1/2".

Made of Stainless Steel

Custom designed colanders are:

- Ideal for straining or draining fruits and vegetables.
- Custom designed to fit your sink.

Material:	Stainless Steel
Finish:	Stainless Steel
Dimensions:	17-3/4" x 8" x 4-1/2"

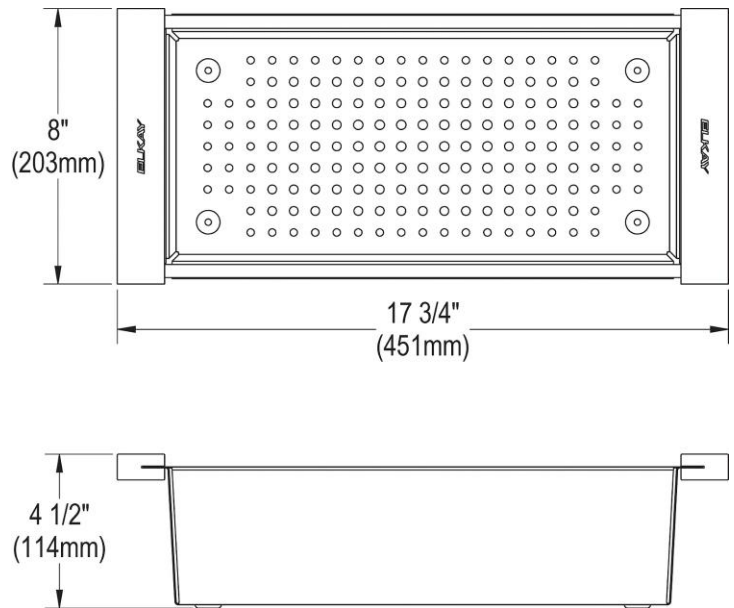


A Century of Tradition and Quality.

For more than 100 years, Elkay has been making innovative products and providing exceptional customer care. We take pride in offering plumbing products that make life easier, inspire change and leave the world a better place.

[Clean and Care Manual \(PDF\)](#)

[Warranty \(PDF\)](#)



PART: _____ QTY: _____

PROJECT: _____

CONTACT: _____

DATE: _____

NOTES: _____

APPROVAL: _____

In keeping with our policy of continuing product improvement, Elkay reserves the right to change product specifications without notice. Please visit elkay.com for the most current version of Elkay product specification sheets. This specification describes an Elkay product with design, quality, and functional benefits to the user. When making a comparison of other producers' offerings, be certain these features are not overlooked.

In keeping with our policy of continuing product improvement, Elkay reserves the right to change product specifications without notice. Please visit elkay.com for the most current version of Elkay product specification sheets. This specification describes an Elkay product with design, quality, and functional benefits to the user. When making a comparison of other producers' offerings, be certain these features are not overlooked.

PRODUCT SPECIFICATIONS

Circuit Chef[®] Stainless Steel 17-3/4" x 8" x 4-1/2" Colander with
Cherry Wood Handles. Overall dimensions are 17-3/4" x 8" x 4-1/2".

Made of Stainless Steel

Custom designed colanders are:

- Ideal for straining or draining fruits and vegetables.
- Custom designed to fit your sink.

Material:	Stainless Steel
Finish:	Stainless Steel
Dimensions:	17-3/4" x 8" x 4-1/2"



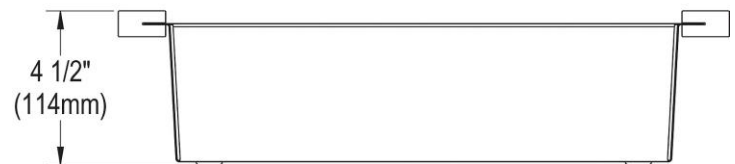
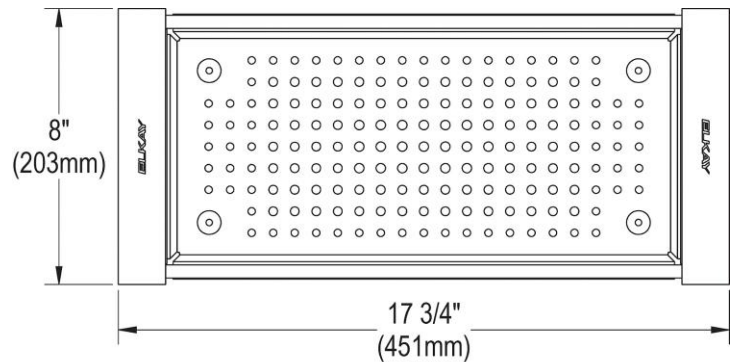
A Century of Tradition and Quality.

For more than 100 years, Elkay has been making innovative products and providing exceptional customer care. We take pride in offering plumbing products that make life easier, inspire change and leave the world a better place.

[Clean and Care Manual \(PDF\)](#)

[Clean and Care Manual \(PDF\)](#)

[Warranty \(PDF\)](#)



PART: _____ QTY: _____

PROJECT: _____

CONTACT: _____

DATE: _____

NOTES: _____

APPROVAL: _____

In keeping with our policy of continuing product improvement, Elkay reserves the right to change product specifications without notice. Please visit elkay.com for the most current version of Elkay product specification sheets. This specification describes an Elkay product with design, quality, and functional benefits to the user. When making a comparison of other producers' offerings, be certain these features are not overlooked.

In keeping with our policy of continuing product improvement, Elkay reserves the right to change product specifications without notice. Please visit elkay.com for the most current version of Elkay product specification sheets. This specification describes an Elkay product with design, quality, and functional benefits to the user. When making a comparison of other producers' offerings, be certain these features are not overlooked.

PRODUCT SPECIFICATIONS

Circuit Chef[®] Stainless Steel 17-3/4" x 8" x 4-1/2" Colander with White Polymer Handles. Overall dimensions are 17-3/4" x 8" x 4-1/2".

Made of Stainless Steel

Custom designed colanders are:

- Ideal for straining or draining fruits and vegetables.
- Custom designed to fit your sink.

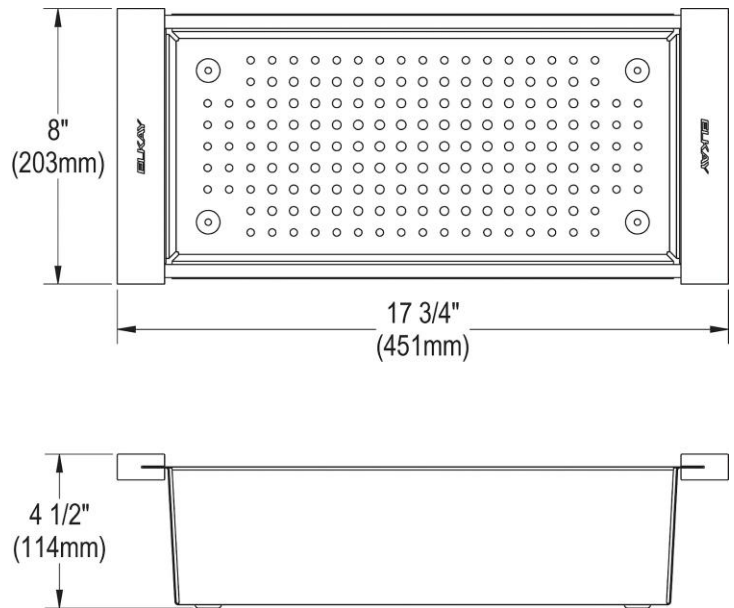
Material:	Stainless Steel
Finish:	Stainless Steel
Dimensions:	17-3/4" x 8" x 4-1/2"



A Century of Tradition and Quality.

For more than 100 years, Elkay has been making innovative products and providing exceptional customer care. We take pride in offering plumbing products that make life easier, inspire change and leave the world a better place.

[Clean and Care Manual \(PDF\)](#)
[Warranty \(PDF\)](#)



PART: _____ QTY: _____

PROJECT: _____

CONTACT: _____

DATE: _____

NOTES: _____

APPROVAL: _____

In keeping with our policy of continuing product improvement, Elkay reserves the right to change product specifications without notice. Please visit elkay.com for the most current version of Elkay product specification sheets. This specification describes an Elkay product with design, quality, and functional benefits to the user. When making a comparison of other producers' offerings, be certain these features are not overlooked.

In keeping with our policy of continuing product improvement, Elkay reserves the right to change product specifications without notice. Please visit elkay.com for the most current version of Elkay product specification sheets. This specification describes an Elkay product with design, quality, and functional benefits to the user. When making a comparison of other producers' offerings, be certain these features are not overlooked.