

SEDIMENT PRE-FILTER KIT

EWFPF5M & EFPF5MVRBC Kits

IMPORTANT NOTE - To avoid danger of an electric shock hazard, disconnect power to your unit before installing or replacing the filter.

This sediment pre filter kit is universal and can be paired with any water filtration system when sediment reduction is needed.

NOTICE: Do not use with water that is microbiologically unsafe or of unknown quality without adequate disinfection before or after the system.

General Installation Instructions

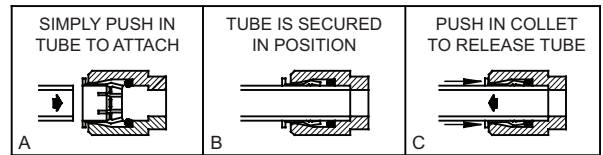
1. **These filter kits** must be installed in compliance with all state and local laws and regulations governing the installation and use of this product. Maximum inlet water temperature 100°F (38°C).
2. **Mount filter head** in a suitable location, using the filter mounting bracket and screws supplied. Allow enough room under the filter head for installation and removal of filter cartridge (14" minimum).
3. **Connect the cold water supply valve** to the filter through the shut-off valve and 3/8" O.D. tubing (supplied). If mounting a vandal resistant metal box, SKU # EFPF5MVRBC, find suitable place to mount box for connecting 3/8" O.D. tubing to bottle filler or water filtration system. For ease of servicing, the shut-off valve should be located within easy reach of the filter.
NOTE: The inlet and outlet fitting supplied as part of the filter head are John Guest fittings that accept 3/8" O.D. tubing. They may be used with copper, semirigid nylon or polypropylene tubing, with a rated working pressure equal or greater than encountered in application. Do not use soft or braided tubing.
4. **CAUTION:** If supply pressure will ever exceed 100 psi, install a pressure regulator to limit the inlet pressure to the filter to 100 psi or below. **DO NOT ATTACH HOT WATER LINE TO FILTER.**
5. **Connect 3/8" O.D. tubing** from outlet of pre-filter to inlet of downstream carbon filter.
6. **Replace with** new carbon filter before flushing.

RATED OPERATING CONDITIONS

| | |
|--------------------|-------------------|
| Pressure (Max.) | 100 PSI (689 KPa) |
| Flow Rate | 1.5 GPM (5.7 LPM) |
| Temperature (Max.) | 100° F (38° C) |
| Temperature (Min.) | 40° F (5° C) |
| Micron Rating | 5 micron Nominal |

NOTE: Pre-filter performance will vary depending on local water conditions.

OPERATION OF QUICK CONNECT FITTINGS



PUSHING TUBE IN BEFORE PULLING IT OUT HELPS TO RELEASE TUBE

FIG. 1

Universal Bottle Filler and Water Cooler

- 7a. **Turn on water supply** and hold open the bubbler on cooler and flush filter to purge air and fine carbon particles from filter before use, Visit elkay.com/filtration for additional details. Carefully inspect all water connections for leaks.

In Wall Bottle Filler, pre-filter may fit inside for mounting

- 7b. **Turn on water supply and activate** the electric eye on In-Wall Bottle Filler and flush filter to purge air and fine carbon particles from filter before use, Visit elkay.com/filtration for additional details. Carefully inspect all water connections for leaks.

Filter Replacement

1. **Turn inlet water** valve off.
2. **Open bubbler** or activate the electric eye to relieve pressure build-up in the system.
3. **Remove used filter** from head by rotating filter counterclockwise.
4. **Remove new filter** from carton, remove protective cap; cap may be placed on old filter to reduce the chance of water spilling from filter housing.
5. **Attach filter** to filter head by firmly inserting into head and rotating filter clockwise.

NOTE: The pre-filter head does not contain a shut-off valve. Failure to turn off the inlet valve (supplied) before replacement will result in water flowing from the head. The filter head in the bottle filler contains an automatic shut-off valve that stops the flow of water, if the filter is removed inadvertently without shutting off the incoming water.

NOTE: This system and installation shall comply with applicable state and local regulations.

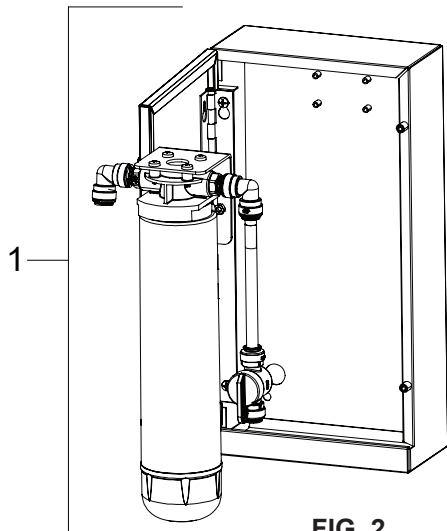


FIG. 2

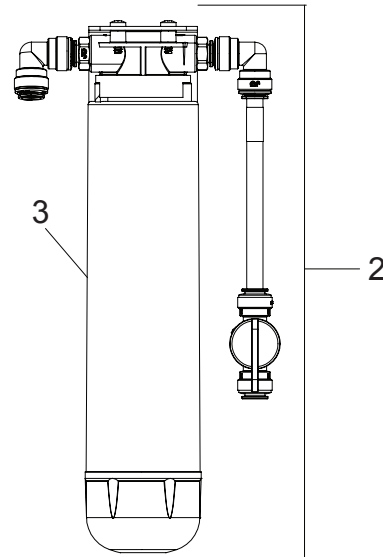


FIG. 3

| Item No. | Part No. | Description |
|----------|------------|---|
| 1 | EFPF5MVRBC | Elkay 5-micron Stage 1 Sediment Pre-filter, VR (vandal resistant, Box, Complete) |
| 2 | EWFPF5M | Pre-filter Kit - 5 micron Nominal Assy - Filter & Bracket Includes Filter Head/ Mtg Bracket/John Guest Ftgs/Screws/ 3/8" O.D. Tubing/Shut-off valve |
| 3 | PF5M | Elkay 5-micron Stage 1 Sediment Pre-filter, (Replacement Filter) |

LZS*

SEDIMENT PRE-FILTER
VANDAL RESISTANT METAL BOX
SKU# EFPF5MVRBC

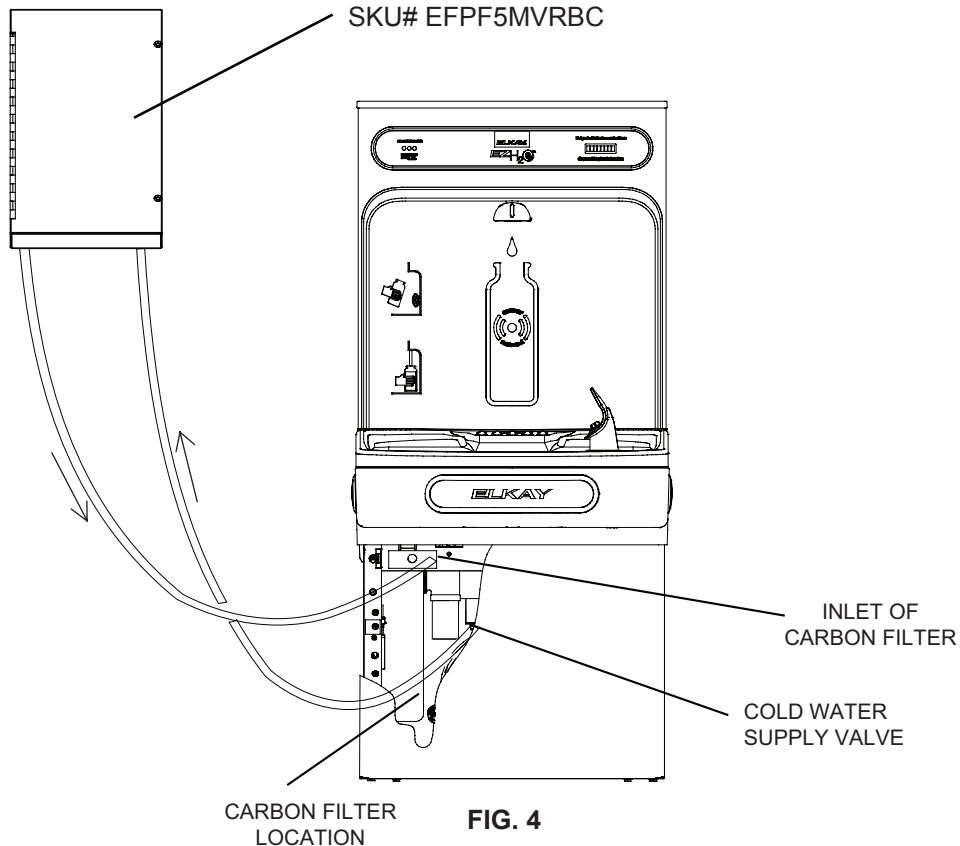


FIG. 4

LZSTL*

CARBON FILTER
LOCATION

EWFPF5M may be installed
inside of dummy unit

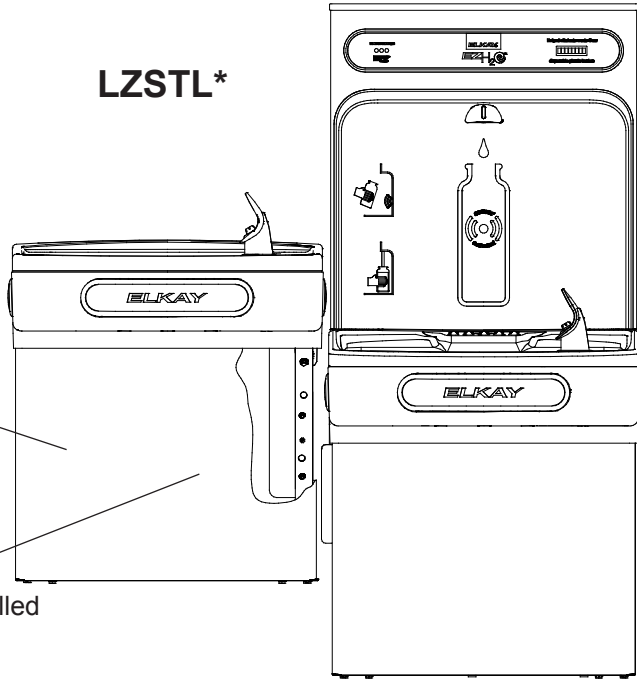


FIG. 5

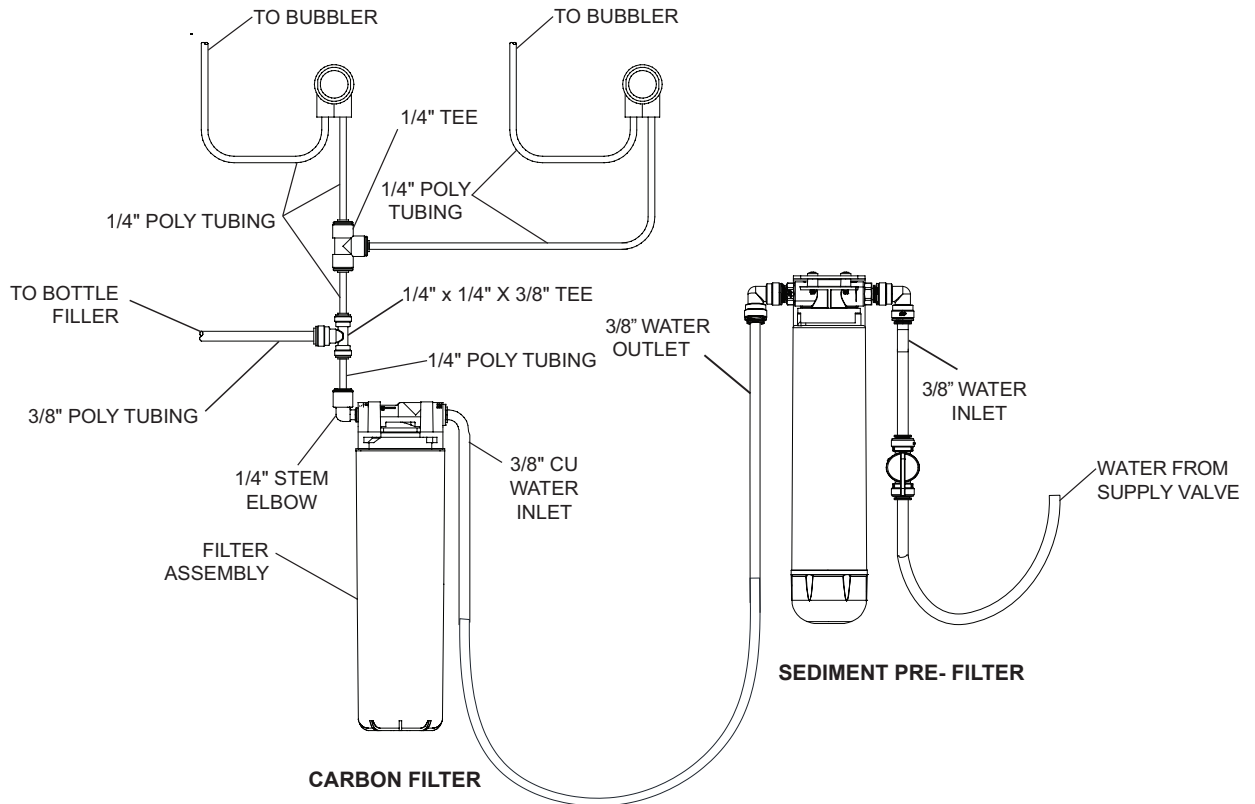


FIG. 6
PLUMB FILTER OUTLET DIRECTLY
TO IN-WALL BOTTLE FILLER
IF NO CHILLER IS USED

NOTICE

To receive maximum benefit from your Genuine ELKAY® filters, note the installation dates below and change according to the following guidelines.

REPLACEMENT FILTER OPTIONS

ELKAY Part No. PF5M — Sediment Pre-Filter, Replacement Filter

Change when flow rate slows or every 6 months. Pre-filter performance will vary depending on local water conditions.

– KEEP THIS SHEET IN A HANDY LOCATION –

| DATE INSTALLED | MODEL (TYPE OF FILTER) | SERVICE PERSON | DATE INSTALLED | MODEL (TYPE OF FILTER) | SERVICE PERSON |
|---------------------------|-----------------------------------|---------------------------|---------------------------|-----------------------------------|---------------------------|
| | | | | | |
| | | | | | |
| | | | | | |
| | | | | | |
| | | | | | |
| | | | | | |
| | | | | | |
| | | | | | |
| | | | | | |
| | | | | | |
| | | | | | |
| | | | | | |
| | | | | | |
| | | | | | |
| | | | | | |
| | | | | | |
| | | | | | |
| | | | | | |