

PRODUCT SPECIFICATIONS

Quartz Classic 33" x 22" x 9-1/2" Equal Double Bowl Undermount Workstation Sink 4pc Kit. Sink is molded with up to 80% natural quartz and high performance acrylic resins that are non-porous providing superior heat, scratch, fade and stain resistance. Naturally sound deadening and Rear Center drain placement.

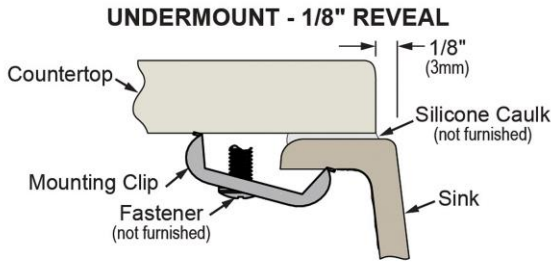
Installation Type:	Undermount
Material:	Quartz
Special Features:	Workstation
Finish:	Graphite (GT), Greystone (GS), Matte Black (MB), White (WH)
Number of Bowls:	2
Sink Dimensions:	32-1/2" x 20" x 9-11/16"
Bowl 1 Dimensions:	14-3/4" x 16-3/16" x 9-7/16"
Bowl 2 Dimensions:	14-3/4" x 16-3/16" x 9-7/16"
Drain Size:	3-5/8" (92mm)
Drain Location:	Rear Center
Minimum Cabinet Size:	36"
Mounting Hardware:	No
Template Included:	No
Cutout Template #:	2000001751

Template is available for download at [elkay.com](#). CAD software will be required to open the template.

Cutout Dimensions for Drop-in Installation:
30-3/4" X 17-3/4" W/ 3/8" RADIUS

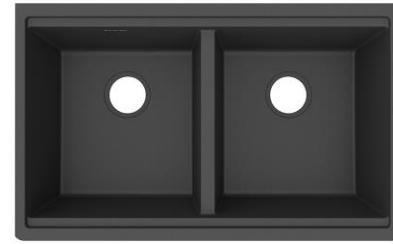


Installation Profile:



Designed to affix to the underside of any solid surface countertop.

PART: _____ QTY: _____
 PROJECT: _____
 CONTACT: _____
 DATE: _____
 NOTES: _____
 APPROVAL: _____



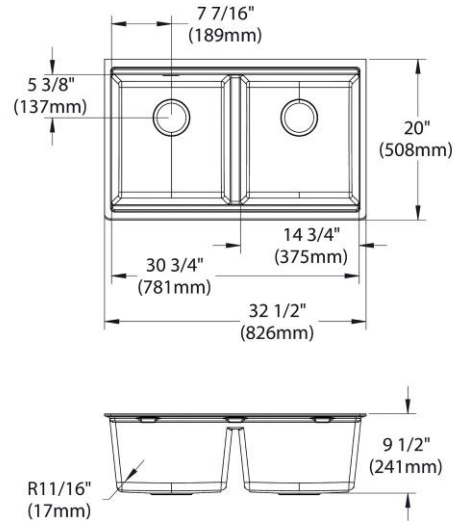
Included with Product: LKQCCB1217AC Cutting Board,
LKQCDR1217RU Roll-up Rack,
(2) LKQCS35 Strainers

A Century of Tradition and Quality. For more than 100 years, Elkay has been making innovative products and providing exceptional customer care. We take pride in offering plumbing products that make life easier, inspire change and leave the world a better place.



Product Compliance: CSA B45.5/IAPMO Z124
Accessory: ASME A112.18.2/CSA B125.2

[Clean and Care Manual \(PDF\)](#)
[Installation Instructions \(PDF\) - 1000005238](#)
[Warranty \(PDF\)](#)



In keeping with our policy of continuing product improvement, Elkay reserves the right to change product specifications without notice. Please visit [elkay.com](#) for the most current version of Elkay product specification sheets. This specification describes an Elkay product with design, quality, and functional benefits to the user. When making a comparison of other producers' offerings, be certain these features are not overlooked. Latest version of the spec sheet available: https://www.elkayfiles.com/spec-sheets/ELGU3322WO_spec.pdf

Optional Accessories		
LKQCBG1213SS	Quartz Classic Workstation Stainless Steel 12-1/2" x 14" x 1-1/8" Bottom Grid Spec Sheet (PDF)	
LKQCC0717SS	Quartz Classic Workstation Stainless Steel 17-5/8" x 6-3/4" x 3" Colander Spec Sheet (PDF)	
LKQD35	Elkay® Polymer 3-1/2" Disposer Flange with Removable Basket Strainer and Rubber Stopper Spec Sheet (PDF)	
LKQCBG1213SS	Quartz Classic Workstation Stainless Steel 12-1/2" x 14" x 1-1/8" Bottom Grid Spec Sheet (PDF)	
LKQCC0717SS	Quartz Classic Workstation Stainless Steel 17-5/8" x 6-3/4" x 3" Colander Spec Sheet (PDF)	
LKQCDR0717SS	Quartz Classic Workstation Stainless Steel 17-5/8" x 6-3/4" x 4-1/4" Drying Rack Spec Sheet (PDF)	
LKQD35	Elkay® Polymer 3-1/2" Disposer Flange with Removable Basket Strainer and Rubber Stopper Spec Sheet (PDF)	

In keeping with our policy of continuing product improvement, Elkay reserves the right to change product specifications without notice. Please visit elkay.com for the most current version of Elkay product specification sheets. This specification describes an Elkay product with design, quality, and functional benefits to the user. When making a comparison of other producers' offerings, be certain these features are not overlooked. Latest version of the spec sheet available: https://www.elkayfiles.com/spec-sheets/ELGU3322WO_spec.pdf