

**PRODUCT SPECIFICATIONS**

Gourmet E-Granite™ Single Bowl Undermount Sink. Overall dimensions are 25" x 18-1/2" x 9-1/2". Sink is molded with up to 80% natural quartz and high performance acrylic resins that are non-porous providing superior heat, scratch, fade and stain resistance. Naturally sound deadening and Rear Center drain placement.

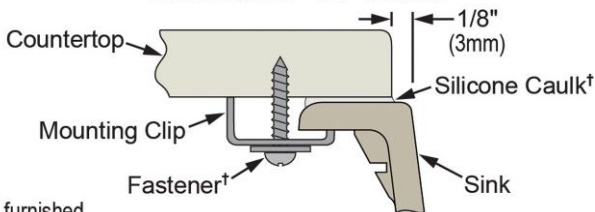
|                              |   |
|------------------------------|---|
| <b>Installation Type:</b>    | Undermount  |
| <b>Material:</b>             | E-Granite   |
| <b>Finish:</b>               | Bisque (BQ), Black (BK), Dusk Gray (GY), Greige (GR), Greystone (GS), Mocha (MC), Pecan (PC), Putty (PT), Sand (SD), White (WH) |
| <b>Number of Bowls:</b>      | 1   |
| <b>Sink Dimensions:</b>      | 25" x 18-1/2" x 9-1/2"  |
| <b>Bowl 1 Dimensions:</b>    | 22-1/4" x 16-3/8" x 9-1/2"  |
| <b>Drain Size:</b>           | 3-1/2" (89mm)   |
| <b>Drain Location:</b>       | Rear Center   |
| <b>Minimum Cabinet Size:</b> | 30"   |
| <b>Mounting Hardware:</b>    | Part # 54300404 included  |
| <b>Template Included:</b>    | Yes   |
| <b>Cutout Template #:</b>    | <a href="#">0000001437</a>  |

Template is available for download at [elkay.com](#)



**Installation Profile:**

**Undermount - 1/8" Reveal**



†Not furnished

Designed to affix to the underside of any solid surface countertop.



**AMERICAN PRIDE. A LIFETIME TRADITION.**

Like your family, the Elkay family has values and traditions that endure. For almost a century, Elkay has been a family-owned and operated company, providing thousands of jobs that support our families and communities.



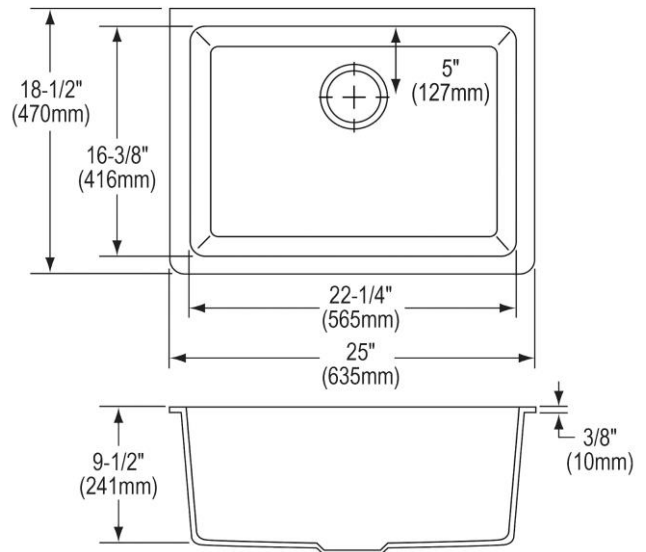
Sinks are listed by IAPMO® as meeting the applicable requirements of the Uniform Plumbing Code®, International Plumbing Code®, and National Plumbing Code of Canada.

**Product Compliance:** CSA B45.5/IAPMO Z124

[Clean and Care Manual \(PDF\)](#)

[Installation Instructions \(PDF\)](#)

[Limited Lifetime Warranty \(PDF\)](#)



PART: \_\_\_\_\_ QTY: \_\_\_\_\_

PROJECT: \_\_\_\_\_

CONTACT: \_\_\_\_\_

DATE: \_\_\_\_\_

NOTES: \_\_\_\_\_

APPROVAL: \_\_\_\_\_

In keeping with our policy of continuing product improvement, Elkay reserves the right to change product specifications without notice. Please visit [elkay.com](#) for the most current version of Elkay product specification sheets. This specification describes an Elkay product with design, quality, and functional benefits to the user. When making a comparison of other producers' offerings, be certain these features are not overlooked.

**OPTIONAL ACCESSORIES**

|                        |                       |
|------------------------|-----------------------|
| <b>Bottom Grid:</b>    | LKWOBG2217SS          |
| <b>Cutting Board:</b>  | LKCBEG2217HW          |
| <b>Drain:</b>          | LKD35, LKS35          |
| <b>Faucet:</b>         | LKGT1041, LKGT2041    |
| <b>Rinsing Basket:</b> | LKWRB2217SS, LKWERBSS |
| <b>Soap Dispenser:</b> | LKGT1054              |

*In keeping with our policy of continuing product improvement, Elkay reserves the right to change product specifications without notice. Please visit [elkay.com](http://elkay.com) for the most current version of Elkay product specification sheets. This specification describes an Elkay product with design, quality, and functional benefits to the user. When making a comparison of other producers' offerings, be certain these features are not overlooked.*