

**PRODUCT SPECIFICATIONS**

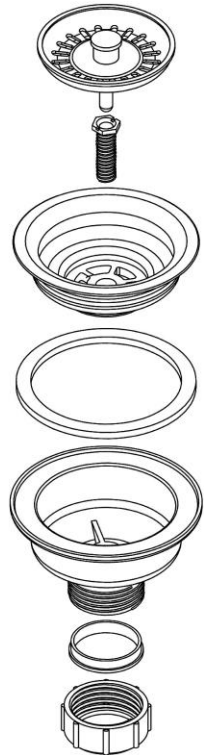
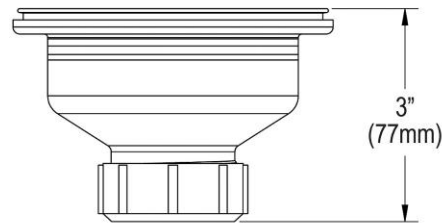
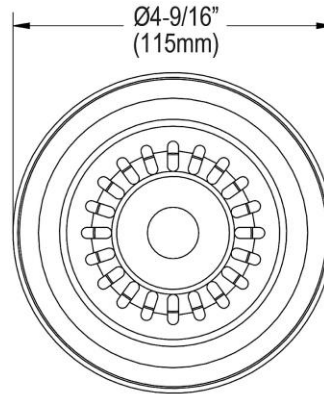
Elkay Polymer Drain Fitting with Removable Basket Strainer and Rubber Stopper. Overall dimensions are 4-1/2" x 4-1/2" x 3-1/16". Made of Polymer.

<b>Material:</b>	Polymer
<b>Finish:</b>	Bisque (BQ), Black (BLK), Caviar (CA), Charcoal (CH), Chestnut (CN), Dusk Gray (GY), Greige (GR), Greystone (GS), Maraschino (MA), Mocha (MC), Parchment (PA), Pecan (PC), Putty (PT), Ricotta (RT), White (WHT)
<b>Dimensions:</b>	4-1/2" x 4-1/2" x 3-1/16"



**AMERICAN PRIDE. A LIFETIME TRADITION.**  
Like your family, the Elkay family has values and traditions that endure. For almost a century, Elkay has been a family-owned and operated company, providing thousands of jobs that support our families and communities.

[Clean and Care Manual \(PDF\)](#)  
[Installation Instructions \(PDF\)](#)



PART: \_\_\_\_\_ QTY: \_\_\_\_\_  
 PROJECT: \_\_\_\_\_  
 CONTACT: \_\_\_\_\_  
 DATE: \_\_\_\_\_  
 NOTES: \_\_\_\_\_  
 APPROVAL: \_\_\_\_\_

*In keeping with our policy of continuing product improvement, Elkay reserves the right to change product specifications without notice. Please visit [elkay.com](http://elkay.com) for the most current version of Elkay product specification sheets. This specification describes an Elkay product with design, quality, and functional benefits to the user. When making a comparison of other producers' offerings, be certain these features are not overlooked.*