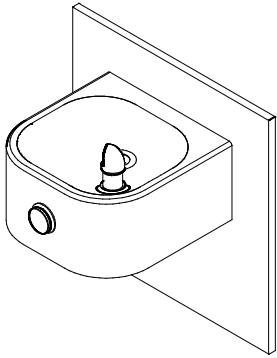
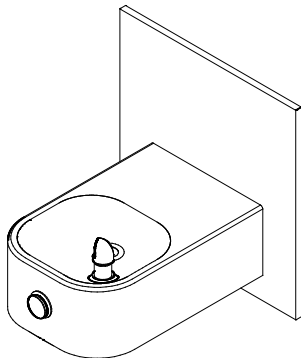


# Halsey Taylor Owners Manual

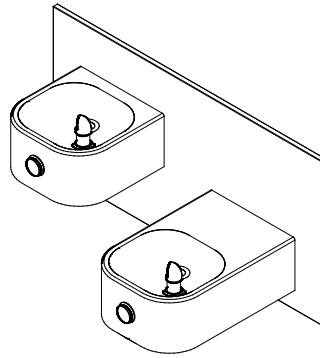
HRFSBP-FR HRFEBP-FR HRFSEBP-FR HRFESBP-FR  
Freeze Resistant Fountains



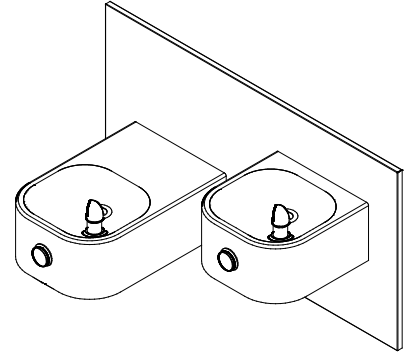
HRFSBP-FR



HRFEBP-FR



HRFSEBP-FR



HRFESBP-FR

## INSTALLER

Halsey Taylor Fountains are among the easiest to install Fountains on the market today. To assure you install these models easily and correctly, PLEASE READ THESE SIMPLE INSTRUCTIONS BEFORE STARTING THE INSTALLATION. CHECK YOUR INSTALLATION FOR COMPLIANCE WITH PLUMBING, ELECTRICAL, AND OTHER APPLICABLE CODES. After installation, leave these instructions with the Fountain for future reference. This Freeze Resistant Fountain is shipped in two separate cartons. The second carton(s) contains the Freeze Resistant Package(s) **HTFRB1** that are installed on an interior heated wall. The interior space must maintain a minimum temperature of 50° F (10° C). Refer to the Freeze Resistant Package for the rough-in dimensions for installation.

## IMPORTANT

**ALL SERVICE TO BE PERFORMED BY AN AUTHORIZED SERVICE PERSON.**

## IMPORTANT! INSTALLER PLEASE NOTE.

THE GROUNDING OF ELECTRICAL EQUIPMENT SUCH AS TELEPHONE, COMPUTERS, ETC. TO WATER LINES IS A COMMON PROCEDURE. THIS GROUNDING MAY BE IN THE BUILDING OR MAY OCCUR AWAY FROM THE BUILDING. THIS GROUNDING CAN CAUSE ELECTRICAL FEEDBACK INTO A FOUNTAIN, CREATING AN ELECTROLYSIS WHICH CAUSES A METALLIC TASTE OR AN INCREASE IN THE METAL CONTENT OF THE WATER. THIS CONDITION IS AVOIDABLE BY USING THE PROPER MATERIALS AS INDICATED. ANY DRAIN FITTINGS PROVIDED BY THE INSTALLER SHOULD BE MADE OF PLASTIC TO ELECTRICALLY ISOLATE THE FOUNTAIN FROM THE BUILDING PLUMBING SYSTEM.

The freeze resistant package must be mounted on an interior wall in a heated area. The room temperature of the interior heated area must be 50° F (10° C) or higher. The freeze resistant package may be surface or recessed mounted. If recess mounted the surface of the cover must be flush with the interior wall surface. The package is furnished with screws for mounting the cover to the box. If the box is recess mounted, do not fasten the top and bottom of the cover to the box. Use the holes on the front only.

1a. Fountains using the MPW Mounting Plate refer to Fig's. 7, 11, or 15 for hanger bracket location and rough-in dimensions.

NOTE: Review separate installation instructions for details of the MPW Mounting Plate.

1b. Fountains using the Wall Plate Assy. refer to Fig's. 3, 5, 9, or 13 for rough-in dimensions. Install Wall Plate Assy on wall using (4) 1/4" x 2.00" long lag bolts and washers (NOT PROVIDED).

2. Shown dimensions pertain to installation location (framing must support up to 150 lbs. weight for single fountain and 300 lbs. for dual fountains). These dimensions are required for compliance with ANSI Standard A117.0.

Installing back panel.

3a. Ftn. w/MPW Mounting Plate: Refer to Fig. 24 for placement of braces onto back panel. Place the upper edge of the panel above hanger bracket. Slide the panel down until it engages the hanger bracket. Be sure back panel is firmly engaged before releasing it.

3b. Ftn. w/Wall Plate Assy: Place the upper edge of the panel above mounting plate on the wall. Slide the panel down until it engages the hanger. Be sure back panel is firmly engaged before releasing it.

Remove bottom access panel from fountain basin and save the screws.

4a. Ftn. w/MPW Mounting Plate: Install the fountain to the back panel using (4) 5/16 " x 6" long threaded rods, washers, and nuts (provided). Tighten securely.

4b. Ftn. w/Wall Plate Assy: Install the fountain to the back panel and Wall Plate Assy using (4) 5/16" x 3/4" long bolts and washers (provided) thru holes in back panel. A washer is used on the bottom two (2) holes only. Tighten securely.

5. Assemble the operating cable to the fountain bracket. (Fountain should be mounted to exterior wall). The adjustment nuts should be in the middle of threaded area on the operating cable. See Figure 17. Create a loop in the cable and thread the free end of the cable through the wall into the freeze resistant box.

6. Connect free end of operating cable to the valve-operating bracket in the freeze resistant box. Remove cable free play by adjusting the jam nuts on the ends of the operating cable. See Figure 18.

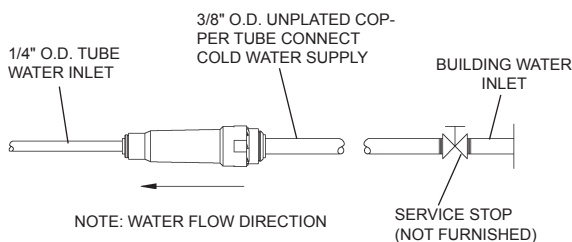
7. Connect water line from fountain bubbler into freeze resistant box. The connection to the box uses a quick connect water fitting. Position the water line, in the fountain, to drain back into interior mounted box. Any water left standing, in the exterior line, can freeze. See Fig. 21.

To insert tubing, push tube straight into fitting until it reaches a positive stop. To remove tubing from the fittings, relieve water pressure, push in on dark gray collar while pulling out on the tubing. See Figure 2.

8. Connect drain and water supply lines to the freeze resistant fountain. Refer to Figure's 3 thru 16 for component positions. Inline strainer must be used on the inlet water line. See Figure 1.

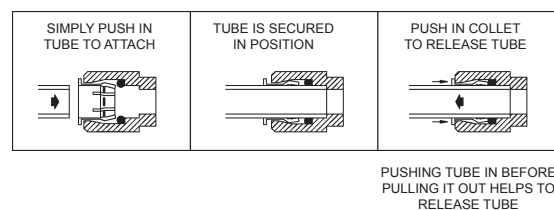
**Start-up**

1. Turn on building water supply and check all connections for leaks. Repair as required.
2. Stream height is factory set at 35 PSI. If stream height needs to be changed adjust the regulator in the freeze resistant package. Clockwise adjustment raises stream height, counter clockwise adjustment will lower stream.
- 3 Adjust operating cable as required. Cable system should have a minimal amount of free play to allow for proper valve operation. If the system is too tight the valve will stay in the on position creating constant water flow. Too much free play will result in non-operation of the valve with the push-buttons.
4. Note: Water from the drain back tube in the freeze resistant package, will continue to run while the valve is actuated.
5. After cable system is adjusted properly stuff flexible insulation into any openings between the outside wall and the interior box.
6. Recheck all connections. If all connections are leak free replace cover(s) on the freeze resistant box(es) and fountain(s).



**FIG. 1**

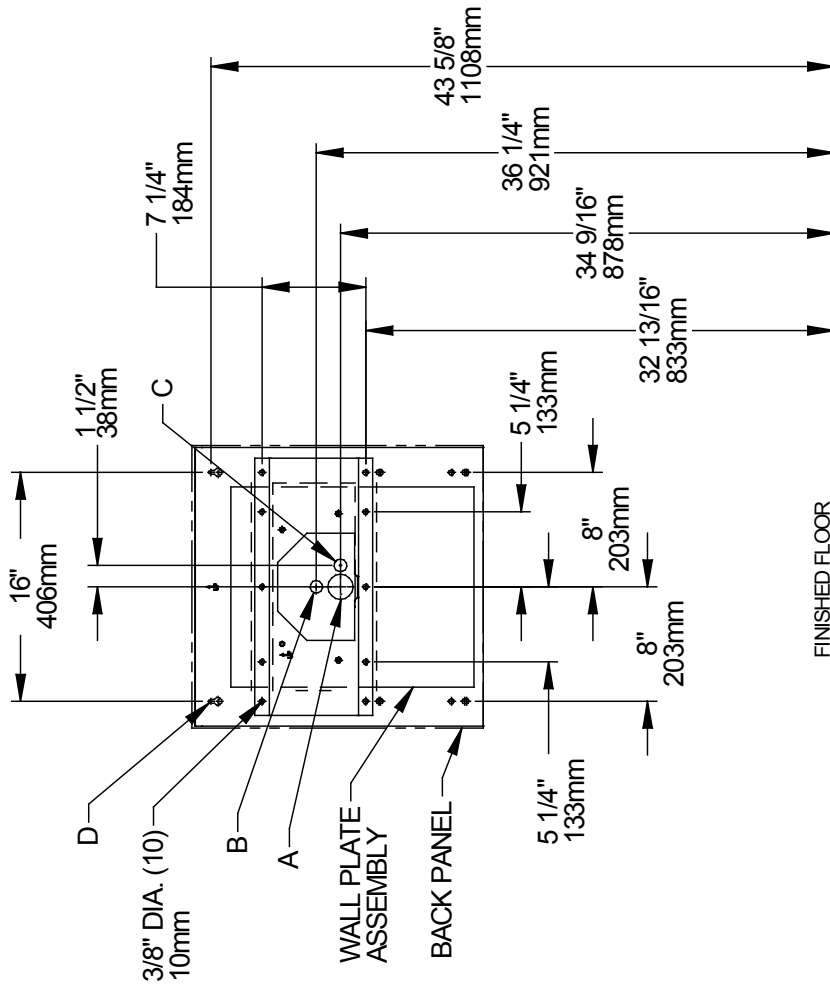
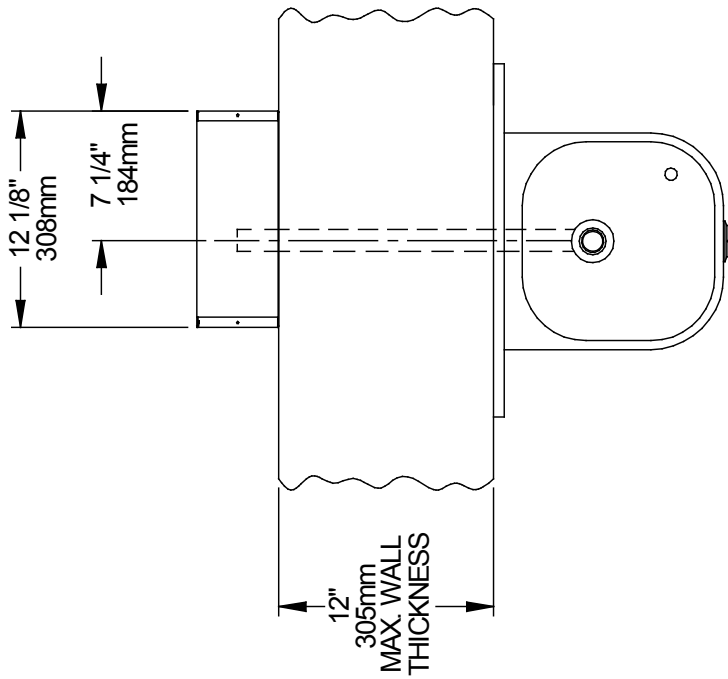
**OPERATION OF QUICK CONNECT FITTINGS**



**FIG. 2**

**HRFSBP - FR WITH WALL PLATE ASSY.  
MOUNTING BOLT AND ACCESS HOLE LAYOUT**

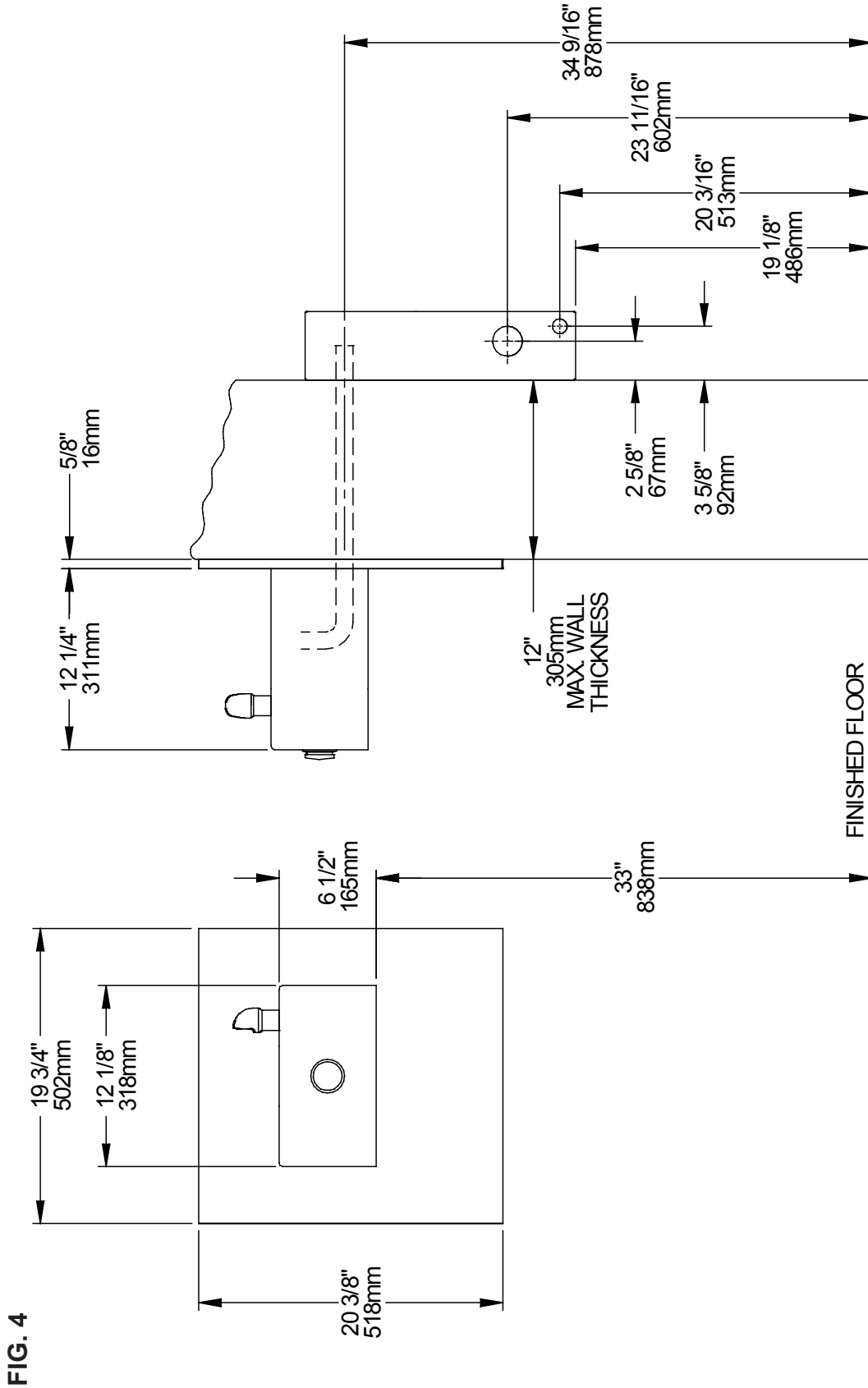
**FIG. 3**



**LEGEND**

- A = 1-3/4" DIA. (44 mm) HOLE FOR WASTE LINE
- B = 7/8" DIA. (22 mm) HOLE FOR WATER SUPPLY TUBE
- C = 7/8" DIA. (22 mm) HOLE FOR OPERATING CABLE
- D = 1/4" DIA. (6mm) HOLES FOR MOUNTING PLATE TO WALL

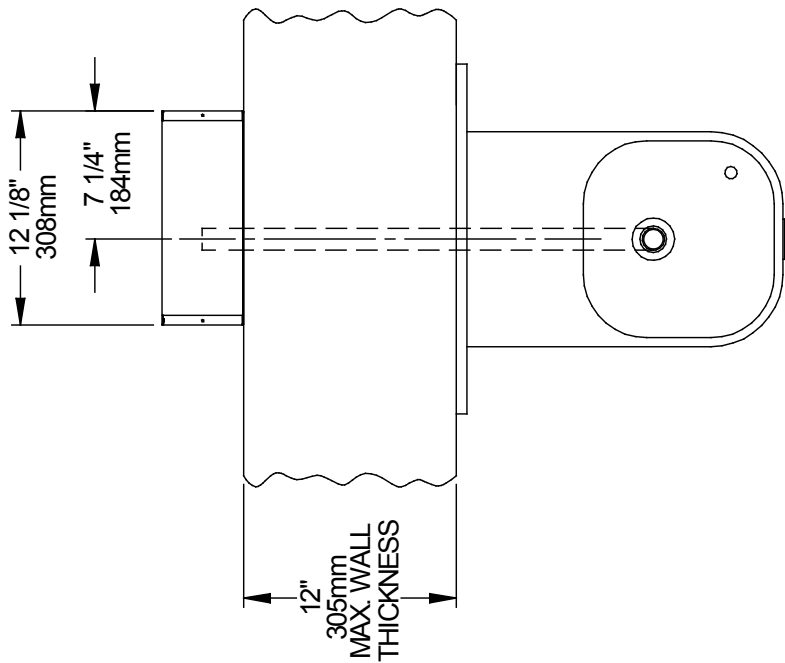
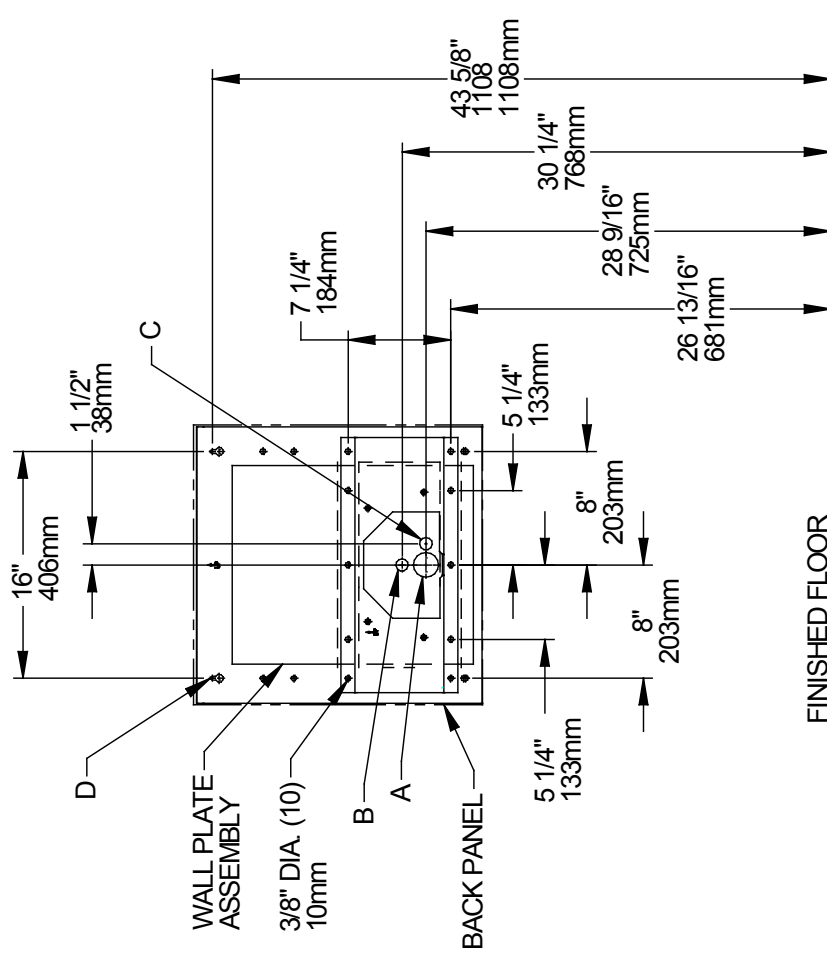
**HRFSBP - FR WITH WALL PLATE ASSY.  
ROUGH-IN DRAWINGS**



1. Wall should already be framed for the fountain using dimensions shown in Fig. 3. Shown dimensions pertain to installation location. These dimensions are required for compliance with ANSI Standard A117.1. and ADA (Framing shown for reference only).
2. Remove bottom cover from fountain and save the screws.
3. Install the fountain using bolts and washers (not provided). Tighten securely.
4. Attach drain tube to fountain and cut to required length using the freeze resistant box as a guide.
5. Install freeze-resistant box - see box instructions.
6. Replace bottom cover.

**HRFEBP - FR WITH WALL PLATE ASSY.  
MOUNTING BOLT AND ACCESS HOLE LAYOUT**

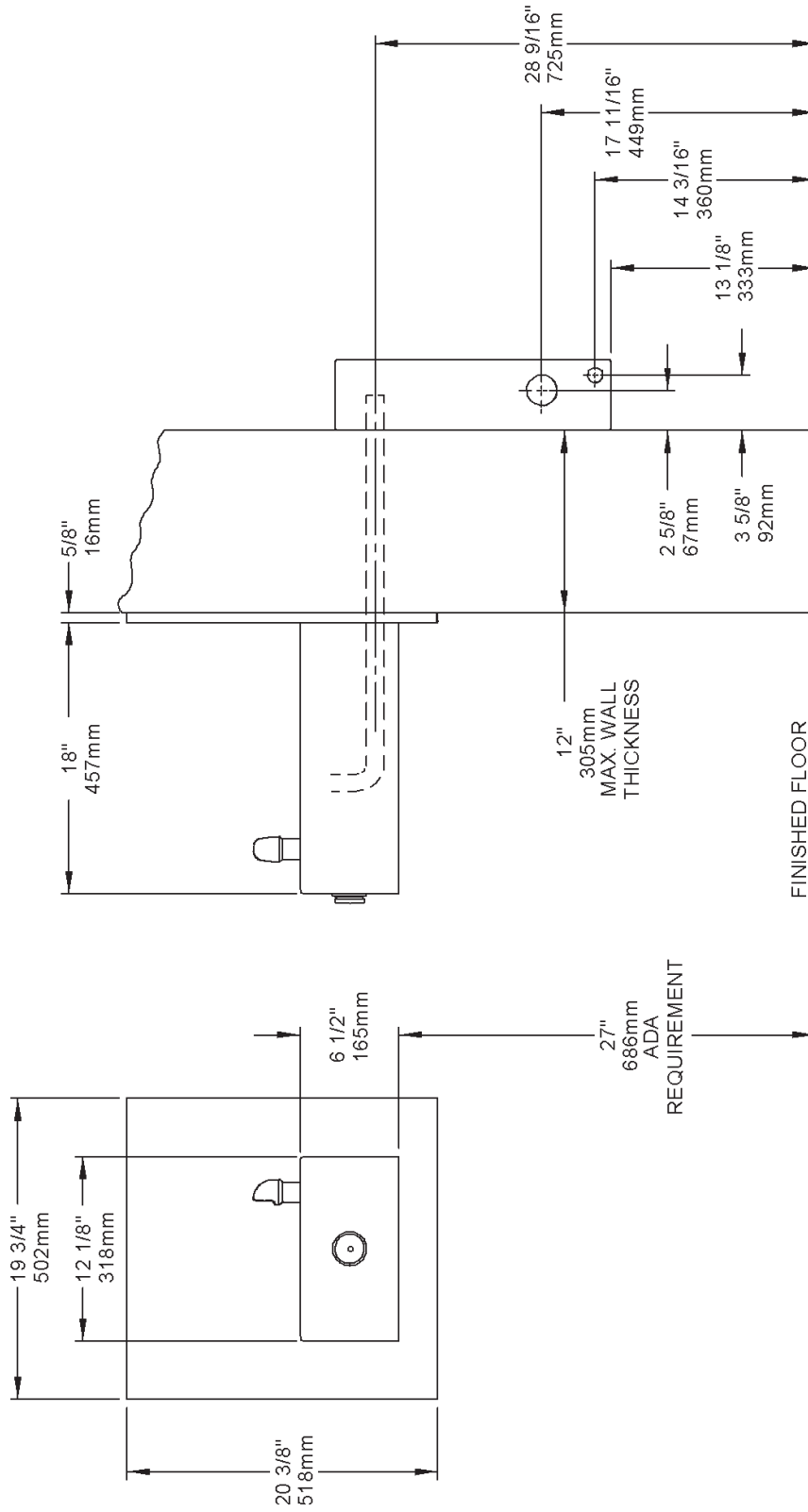
**FIG. 5**



**LEGEND**  
 A = 1-3/4" DIA. (44 mm) HOLE FOR WASTE LINE  
 B = 7/8" DIA. (22 mm) HOLE FOR WATER SUPPLY TUBE  
 C = 7/8" DIA. (22 mm) HOLE FOR OPERATING CABLE  
 D = 1/4" DIA. (6 mm) HOLES FOR MOUNTING PLATE TO WALL

**HRFEBP - FR WITH WALL PLATE ASSY.  
ROUGH-IN DRAWINGS**

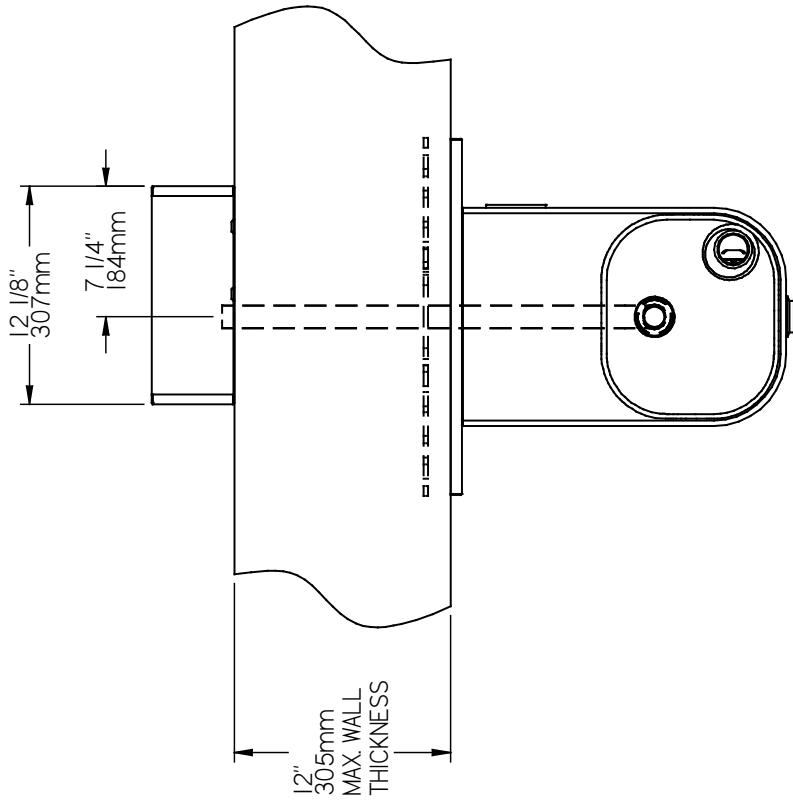
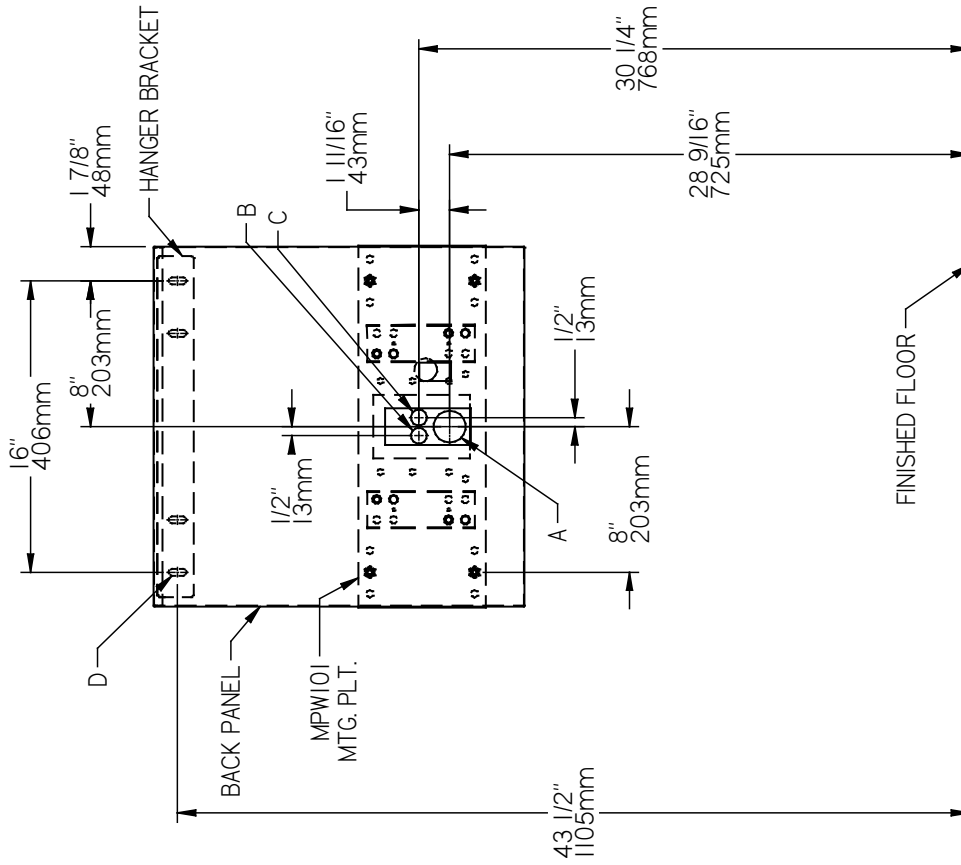
**FIG. 6**



1. **Wall should already be framed for the fountain using dimensions shown in Fig. 5.** Shown dimensions pertain to installation location. These dimensions are required for compliance with ANSI Standard A117.1. and ADA (Framing shown for reference only).
2. **Remove bottom cover from fountain and save the screws.**
3. **Install the fountain** using bolts and washers (not provided). Tighten securely.
4. **Attach drain tube** to fountain and cut to required length using the freeze resistant box as a guide.
5. **Install freeze-resistant box** - see box instructions.
6. **Replace** bottom cover.

**HRFEBP - FR WITH MPW101 MOUNTING PLATE  
MOUNTING BOLT AND ACCESS HOLE LAYOUT**

**FIG. 7**

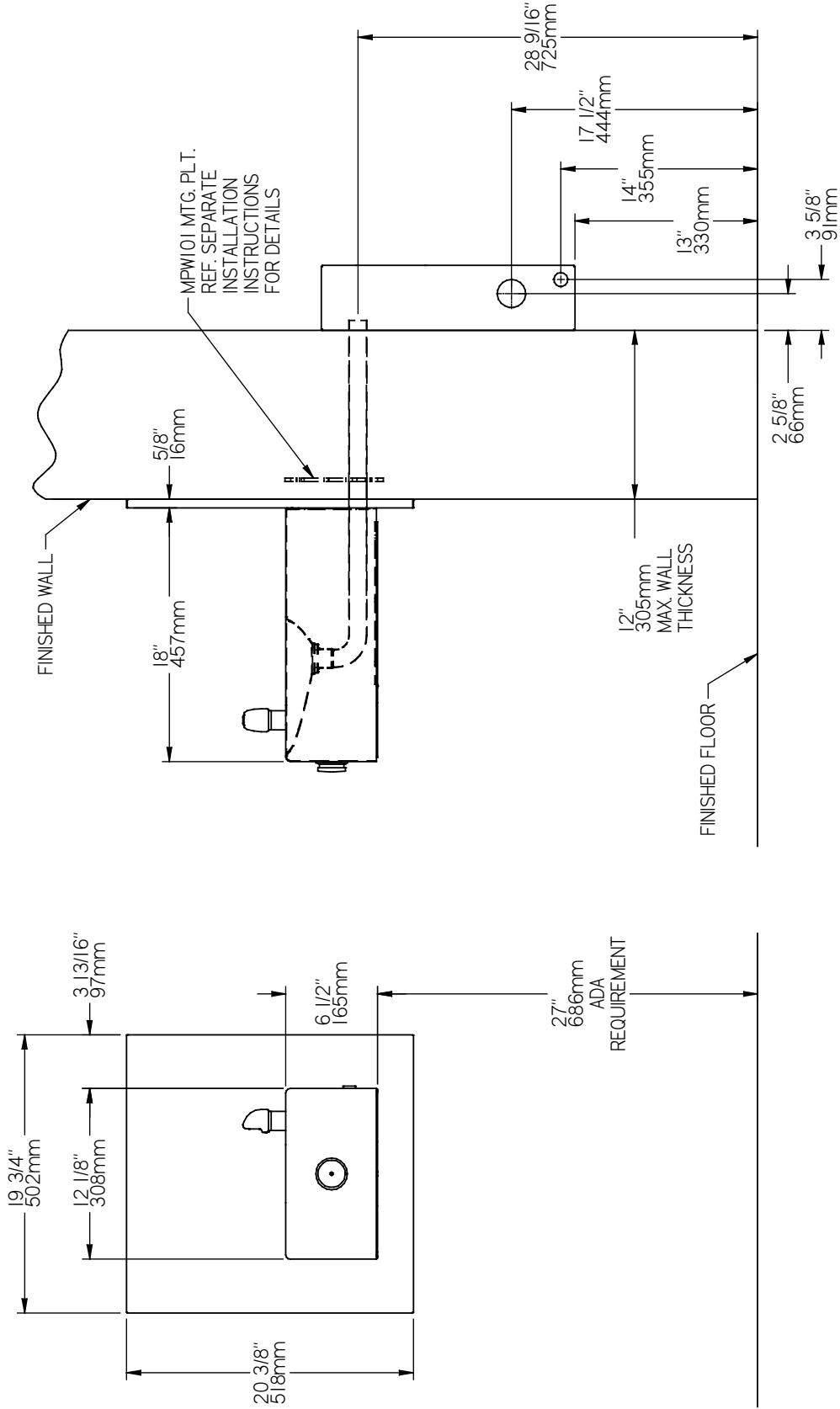


**LEGEND**

- A = 1-3/4" DIA. (44 mm) HOLE FOR WASTE LINE
- B = 7/8" DIA. (22 mm) HOLE FOR WATER SUPPLY TUBE
- C = 7/8" DIA. (22 mm) HOLE FOR OPERATING CABLE
- D = 3/8" DIA. (10 mm) HOLES FOR MOUNTING PLATE TO WALL

**HRFEBP - FR WITH MPW101 MOUNTING PLATE  
ROUGH-IN DRAWINGS**

**FIG. 8**



**1. Wall should already be framed for the fountains using dimensions shown in Fig. 7.** Shown dimensions pertain to installation location. These dimensions are required for compliance with ANSI Standard A117.1. and ADA (Framing shown for reference only).

**2. Remove bottom covers from fountains and save the screws.**

**3. Install the fountains** using bolts and washers (provided). Tighten securely.

**4. Attach drain tubes** to fountains and cut to required length using the freeze resistant boxes as guides.

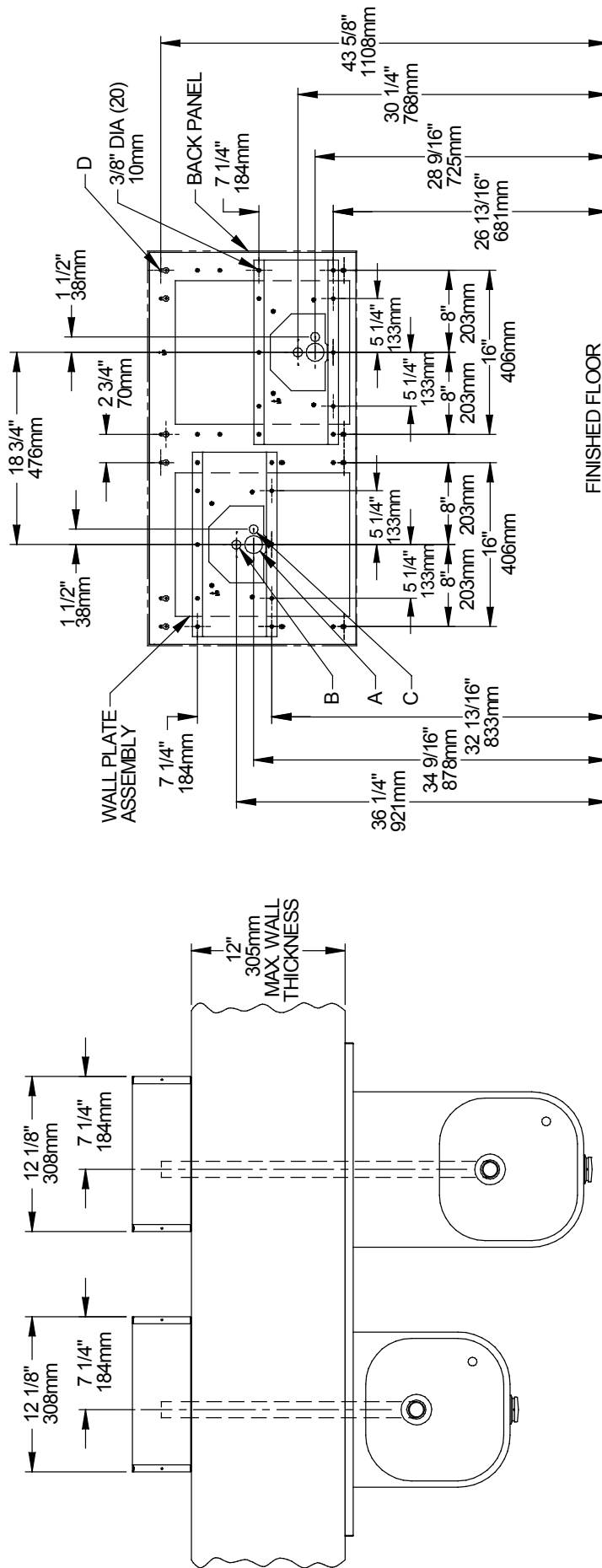
**5. Install freeze-resistant boxes** - see box instructions.

**6. Replace** bottom covers.



**HRFSEBP - FR WITH WALL PLATE ASSY.  
MOUNTING BOLT AND ACCESS HOLE LAYOUT**

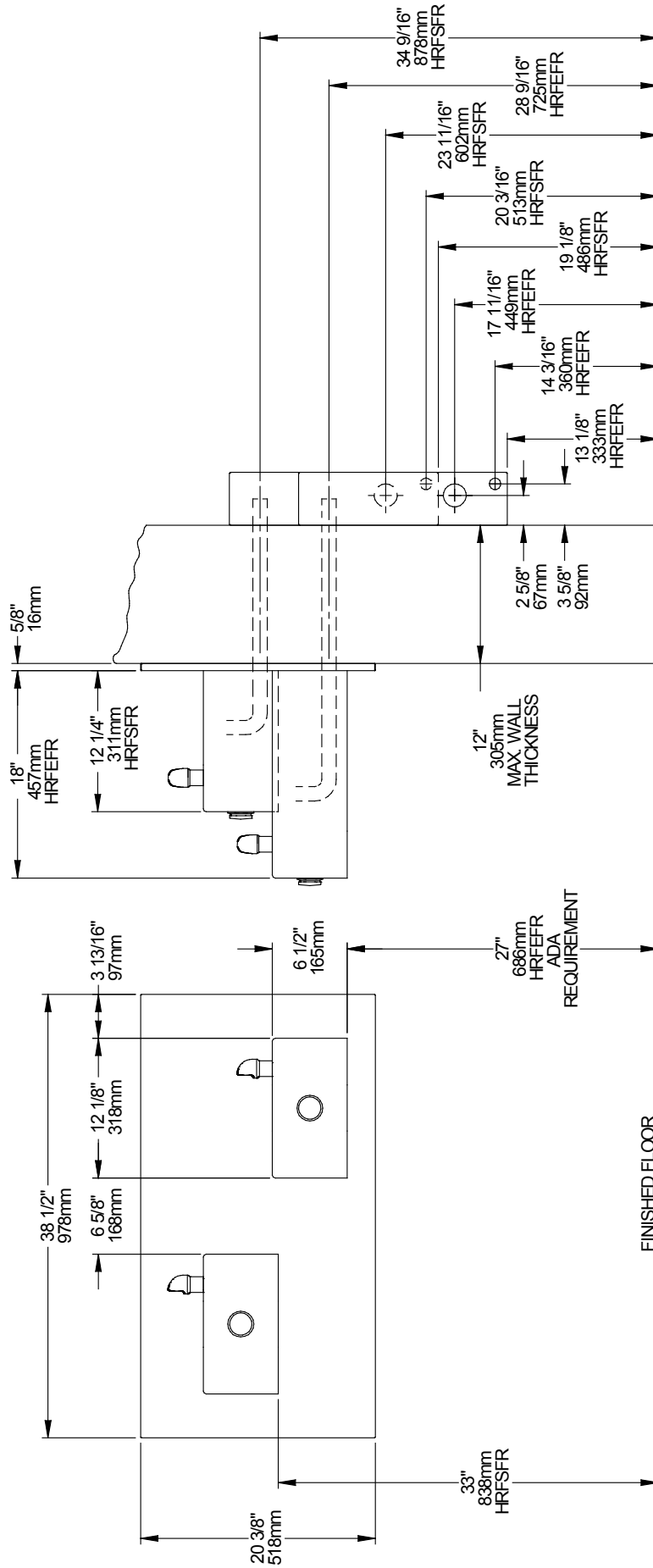
**FIG. 9**



- LEGEND**
- A = 1-3/4" DIA. (44 mm) HOLE FOR WASTE LINE
  - B = 7/8" DIA. (22 mm) HOLE FOR WATER SUPPLY TUBE
  - C = 7/8" DIA. (22 mm) HOLE FOR OPERATING CABLE
  - D = 1/4" DIA. (6 mm) HOLES FOR MOUNTING PLATE TO WALL

**HRFSEBP - FR WITH WALL PLATE ASSY.  
ROUGH-IN DRAWINGS**

**FIG. 10**



**1. Wall should already be framed for the fountains using dimensions shown in Fig. 9.** Shown dimensions pertain to installation location.  
These dimensions are required for compliance with ANSI Standard A117.1. and ADA (Framing shown for reference only).

**2. Remove bottom covers from fountains and save the screws.**

**3. Install the fountains** using bolts and washers (provided). Tighten securely.

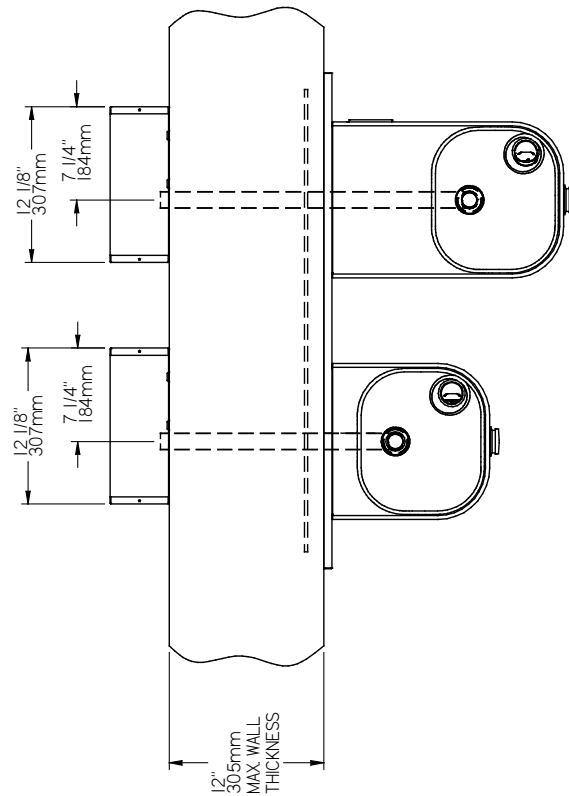
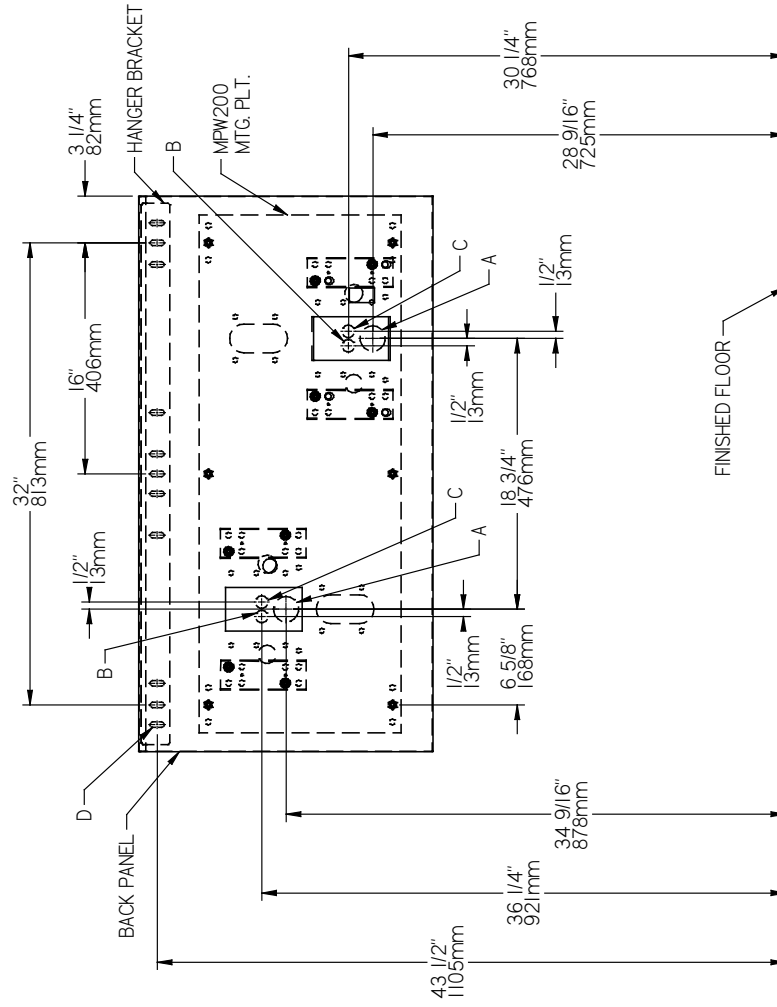
**4. Attach drain tubes** to fountains and cut to required length using the freeze resistant boxes as guides.

**5. Install freeze-resistant boxes** - see box instructions.

**6. Replace** bottom covers.

**HRFSEBP - FR WITH MPW200 MOUNTING PLATE  
MOUNTING BOLT AND ACCESS HOLE LAYOUT**

**FIG. 11**

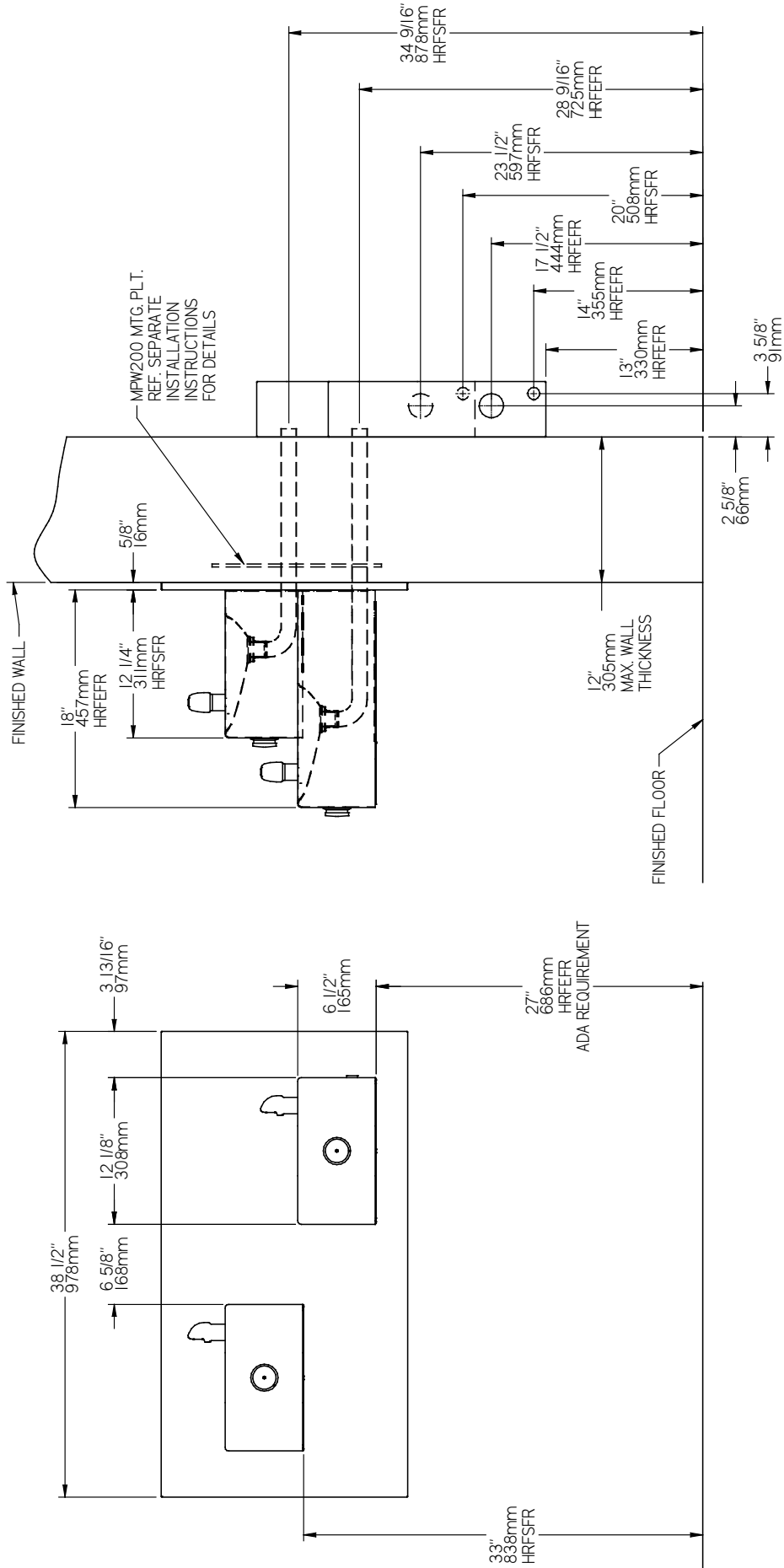


**LEGEND**

- A = 1-3/4" DIA. (44 mm) HOLE FOR WASTE LINE
- B = 7/8" DIA. (22 mm) HOLE FOR WATER SUPPLY TUBE
- C = 7/8" DIA. (22 mm) HOLE FOR OPERATING CABLE
- D = 3/8" DIA. (10 mm) HOLES FOR MOUNTING PLATE TO WALL

**HRFEBP - FR WITH MPW200 MOUNTING PLATE  
ROUGH-IN DRAWINGS**

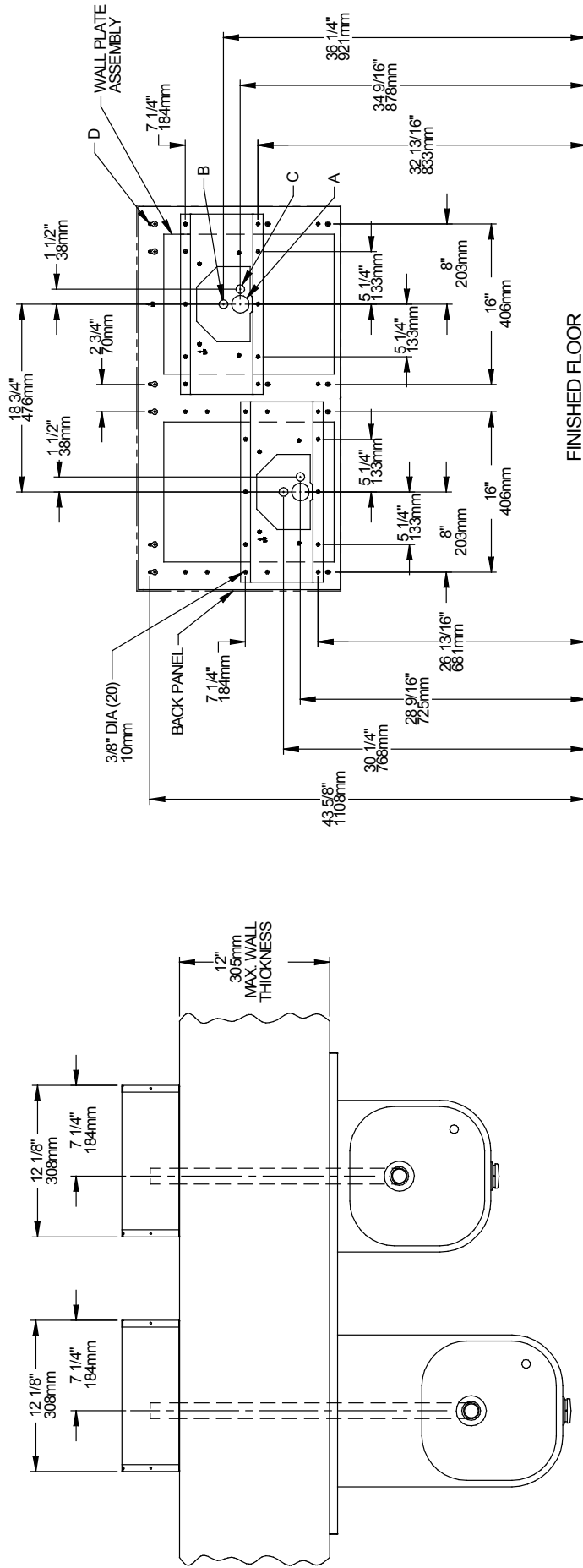
**FIG. 12**



1. **Wall should already be framed for the fountains using dimensions shown in Fig. 11.** Shown dimensions pertain to installation location. These dimensions are required for compliance with ANSI Standard A117.1. and ADA (Framing shown for reference only).
2. **Remove bottom covers from fountains and save the screws.**
3. **Install the fountains** using bolts and washers (provided). Tighten securely.
4. **Attach drain tubes** to fountains and cut to required length using the freeze resistant boxes as guides.
5. **Install freeze-resistant boxes** - see box instructions.
6. **Replace bottom covers.**

**HRFESBP - FR WITH WALL PLATE ASSY.  
MOUNTING BOLT AND ACCESS HOLE LAYOUT**

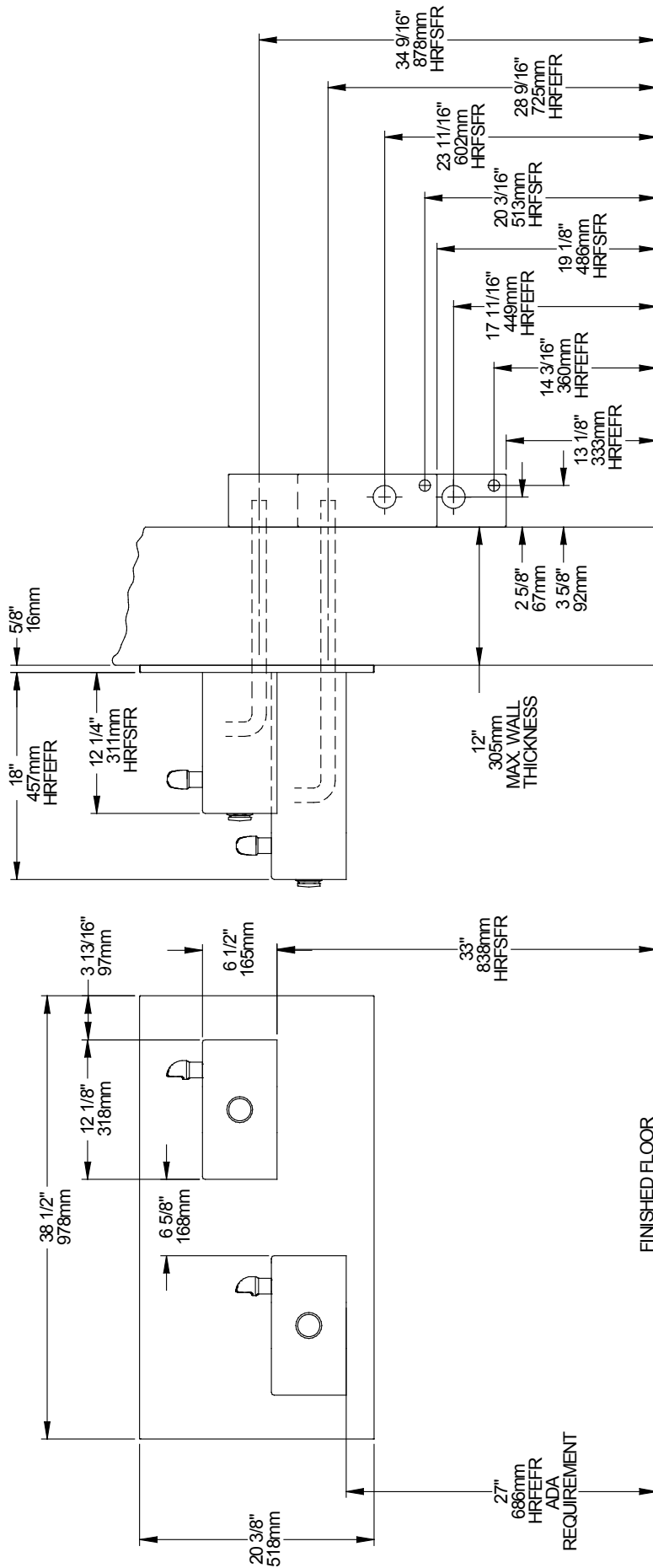
**FIG. 13**



- LEGEND**  
**A = 1-3/4" DIA. (44 mm) HOLE FOR WASTE LINE**  
**B = 7/8" DIA. (22 mm) HOLE FOR WATER SUPPLY TUBE**  
**C = 7/8" DIA. (22 mm) HOLE FOR OPERATING CABLE**  
**D = 1/4" DIA. (6 mm) HOLES FOR MOUNTING PLATE TO WALL**

**HRFESBP - FR WITH WALL PLATE ASSY  
ROUGH-IN DRAWINGS**

**FIG. 14**



**1. Wall should already be framed for the fountains using dimensions shown in Fig.13.** Shown dimensions pertain to installation location.

These dimensions are required for compliance with ANSI Standard A117.1. and ADA (Framing shown for reference only).

**2. Remove bottom covers from fountains and save the screws.**

**3. Install the fountains** using bolts and washers (provided). Tighten securely.

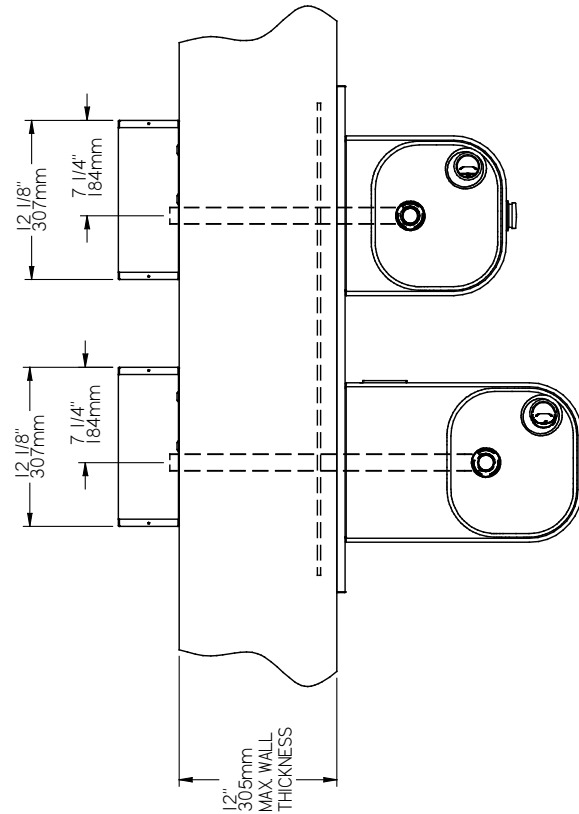
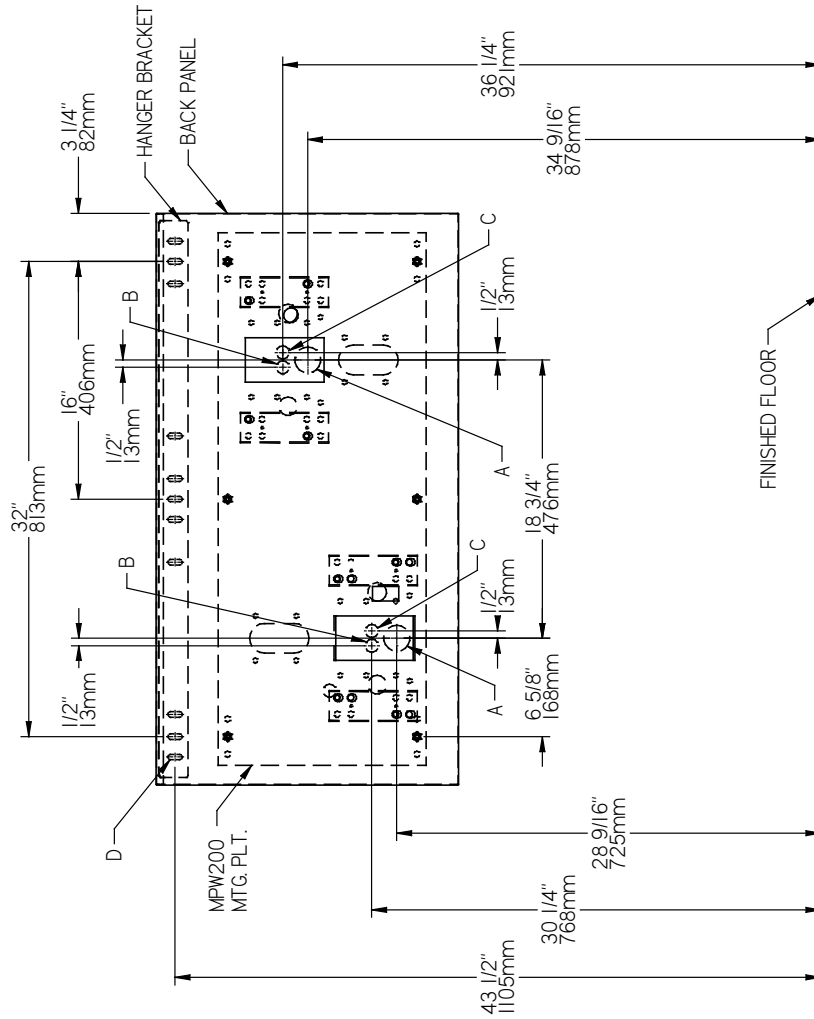
**4. Attach drain tubes** to fountains and cut to required length using the freeze resistant boxes as guides.

**5. Install freeze-resistant boxes** - see box instructions.

**6. Replace** bottom covers.

**HRFESBP - FR WITH MPW200 MOUNTING PLATE  
MOUNTING BOLT AND ACCESS HOLE LAYOUT**

**FIG. 15**

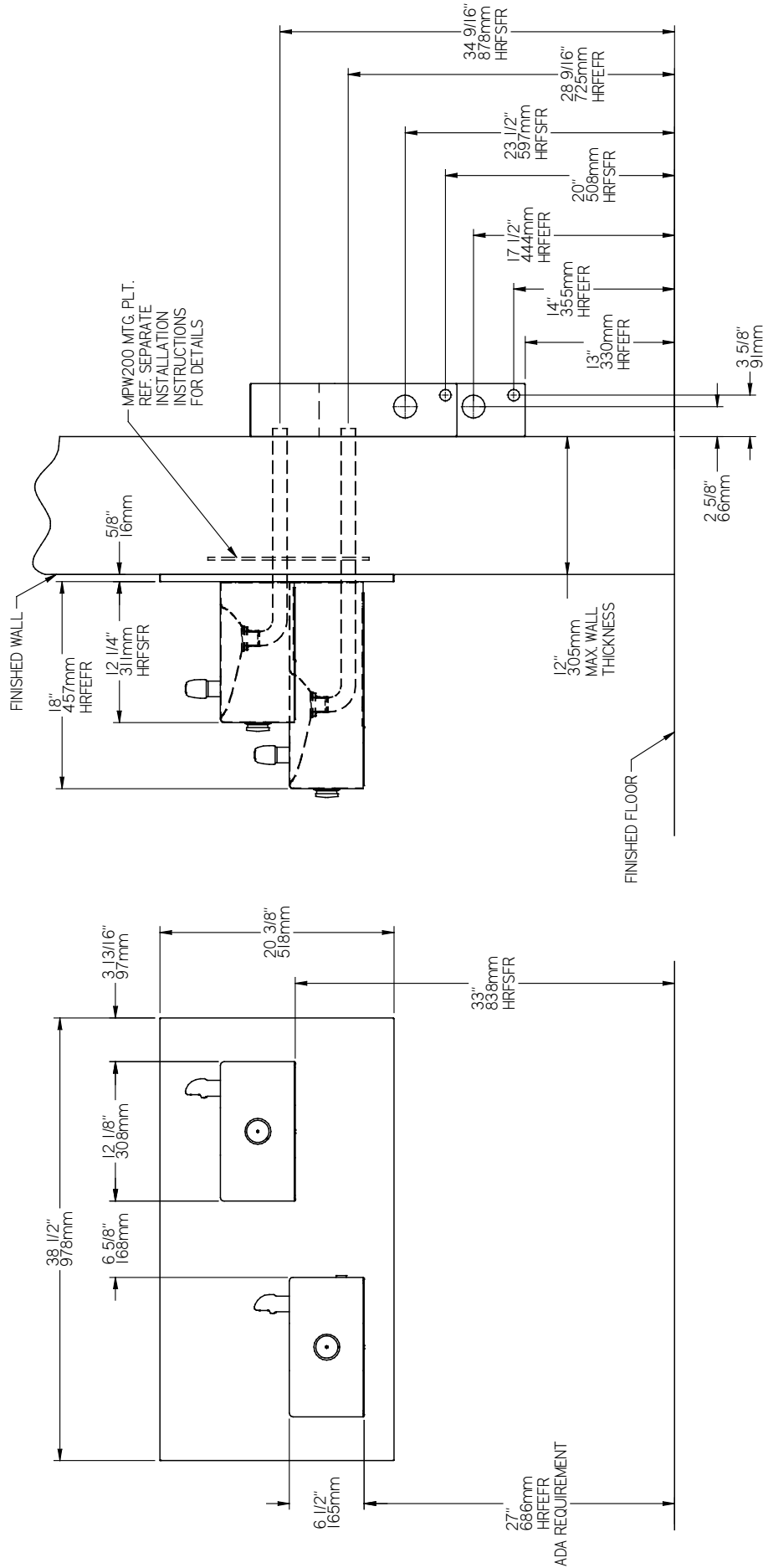


**LEGEND**

- A = 1-3/4" DIA. (44 mm) HOLE FOR WASTE LINE**
- B = 7/8" DIA. (22 mm) HOLE FOR WATER SUPPLY TUBE**
- C = 7/8" DIA. (22 mm) HOLE FOR OPERATING CABLE**
- D = 1/4" DIA. (6 mm) HOLES FOR MOUNTING PLATE TO WALL**

**HRFESBP - FR WITH MPW200 MOUNTING PLATE  
ROUGH-IN DRAWINGS**

**FIG. 16**



**1. Wall should already be framed for the fountains using dimensions shown in Fig. 15.** Shown dimensions pertain to installation location. These dimensions are required for compliance with ANSI Standard A117.1. and ADA (Framing shown for reference only).

**2. Remove bottom covers from fountains and save the screws.**

**3. Install the fountains** using bolts and washers (provided). Tighten securely.

**4. Attach drain tubes** to fountains and cut to required length using the freeze resistant boxes as guides.

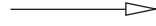
**5. Install freeze-resistant boxes** - see box instructions.

**6. Replace** bottom covers.

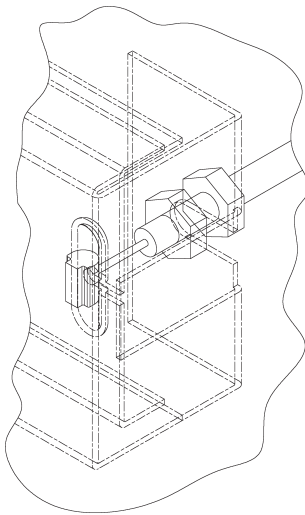


**CABLE SHEATH ADJUSTMENT**

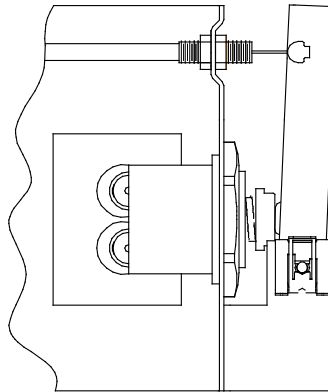
To Increase Free Play



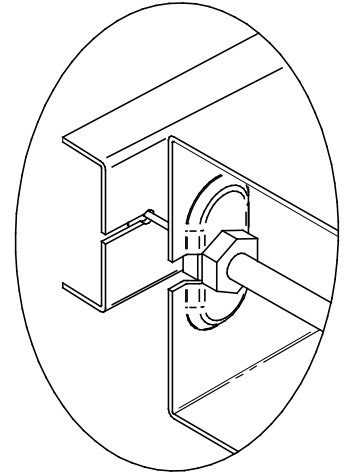
To Reduce Free Play



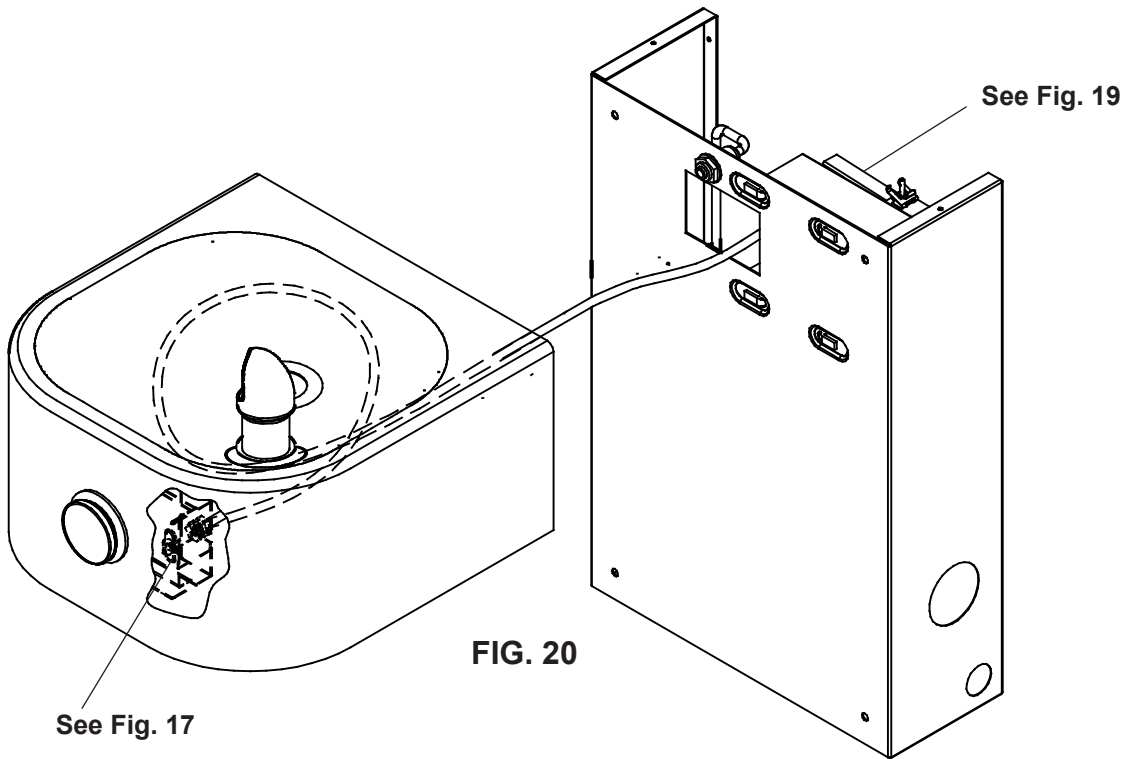
**FIG. 17**



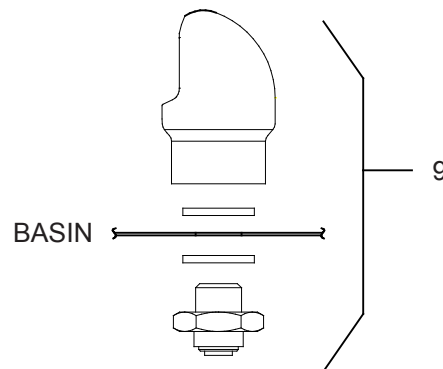
**FIG. 18**



**FIG. 19**



**FIG. 20**



**FIG. 21**

PARTS LIST

ITEM NO.	PART NO.	DESCRIPTION
1	56092C	POLY TUBING (CUT TO LENGTH)
2	112627543890	SCREW - #10 - 24 X .50 PHTC
3	56369C	EDGE TRIM
4	28823C	BRACKET-REGULATOR MOUNTING
5	27945C	BRACKET-BASIN
6	27946C	BRACKET-BASIN PIVOT
7	40045C	HEX NUT 1-5/16
8	40206000	RETAINER
9	98118C	BUBBLER ASSEMBLY
10	45662C	PUSH BUTTON
11	45663C	SLEEVE-PUSH BUTTON GUIDE
12	50198C	SNAP BUSHING
13	51667C	BUMPER-REG. VALVE ASSY
14	55919C	PUSH BUTTON (EXTENSION)
15	70425C	PIVOT ROD
16	28782C	FOUNTAIN ARM - SHORT
	28783C	FOUNTAIN ARM - LONG
17	55000661	BOTTOM COVER PLATE - SHORT
	55000665	BOTTOM COVER PLATE - LONG
18	23187C	BACK PANEL - HRFSBP
	23189C	BACK PANEL - HRFEBP
	27043C	BACK PANEL - HRFSEBP
	27261C	BACK PANEL - HRFESBP
19	75672C	CAP SCREW
20	72000833	WASTE ARM ASSY
21	28158C	WALL PLATE ASSEMBLY - HRFSBP
	28170C	WALL PLATE ASSEMBLY - HRFEBP
	28159C	WALL PLATE ASSEMBLY - HRFSEBP
	28178C	WALL PLATE ASSEMBLY - HRFESBP
22	28846C	BACK PANEL ASSEMBLY-HRFEBP
	28848C	BACK PANEL ASSEMBLY-HRFSEBP
	28849C	BACK PANEL ASSEMBLY-HRFESBP
NS	27089C	HANGER BRACKET-HRFEBP
NS	27090C	HANGER BRACKET-HRFSEBP/ESBP

NS = NOT SHOWN

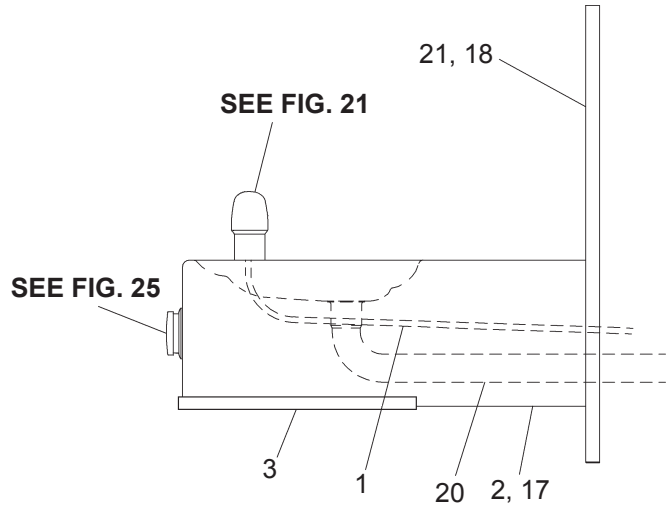
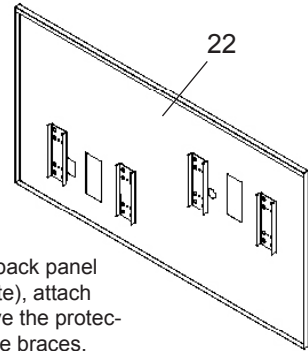


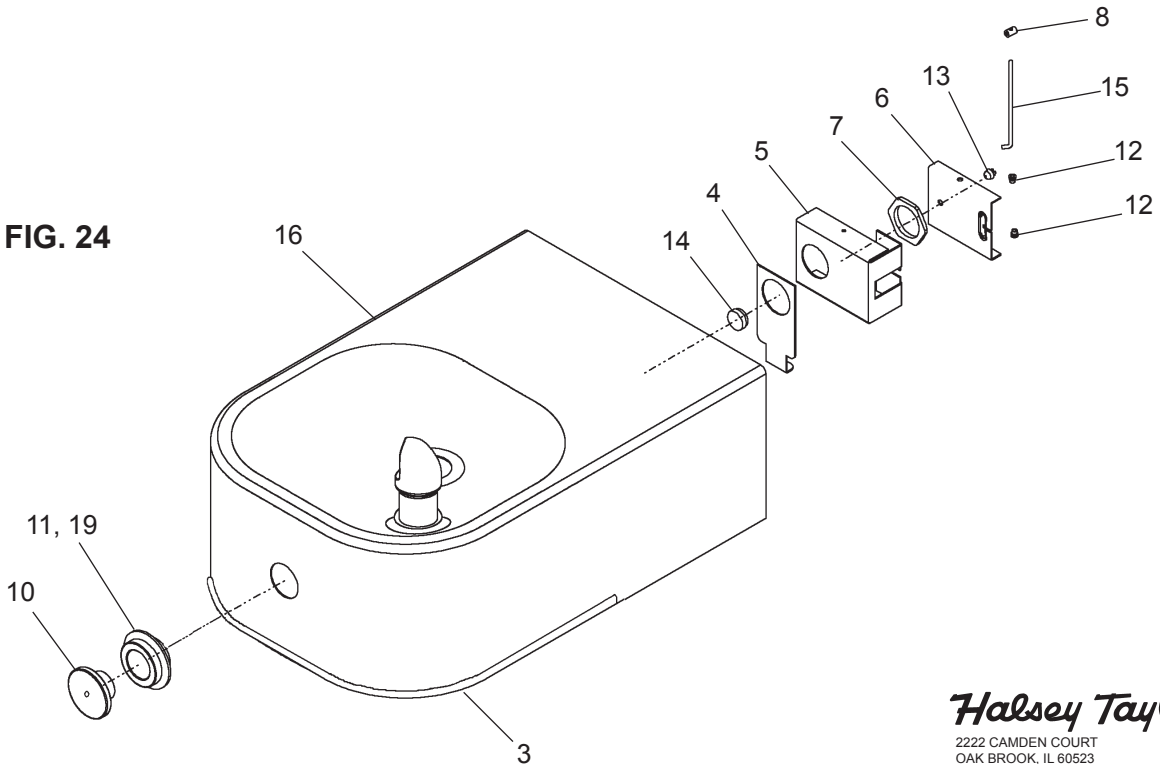
FIG. 22

FIG. 23



**Installing Back Panel:** When installing back panel assy. (Item 22) with MPW (Mounting Plate), attach channel braces as shown above. Remove the protective backing from the tape installed on the braces. Line up the corresponding holes in the braces and back panel and press firmly in place.

FIG. 24



**Halsey Taylor**  
 2222 CAMDEN COURT  
 OAK BROOK, IL 60523  
 630.574.3500  
 www.halseytaylor.com

For parts, contact your local distributor or call 1.800.834.4816

PRINTED IN U.S.A.