

**PRODUCT SPECIFICATIONS**

Elkay Crosstown® Stainless Steel 32-1/2" x 20-1/2" x 9", Offset Double Bowl Undermount Sink with Water Deck. Sink is manufactured from 18 gauge 304 Stainless Steel with a Polished Satin finish, Rear Center drain placement, and Sound Guard.

<b>Installation Type:</b>	Undermount
<b>Material:</b>	304 Stainless Steel
<b>Special Features:</b>	Water Deck
<b>Finish:</b>	Polished Satin
<b>Gauge:</b>	18
<b>Sound Deadening:</b>	Sound Guard
<b>Number of Bowls:</b>	2
<b>Sink Dimensions:</b>	32-1/2" x 20-1/2" x 9"
<b>Bowl 1 Dimensions:</b>	14" x 16" x 9"
<b>Bowl 2 Dimensions:</b>	16" x 19" x 9"
<b>Drain Size:</b>	3-1/2" (89mm)
<b>Drain Location:</b>	Rear Center
<b>Minimum Cabinet Size:</b>	36"
<b>Mounting Hardware:</b>	Part # 1000003505 included
<b>Template Included:</b>	Yes
<b>Cutout Template #:</b>	<a href="#">1000003458</a>

Template is available for download at [elkay.com](http://elkay.com)



**AMERICAN PRIDE. A LIFETIME TRADITION.**  
Like your family, the Elkay family has values and traditions that endure. For almost a century, Elkay has been a family-owned and operated company, providing thousands of jobs that support our families and communities.

**Product Compliance:** ASME A112.19.3/CSA B45.4



Sinks are listed by IAPMO® as meeting the applicable requirements of the Uniform Plumbing Code®, International Plumbing Code®, and

c UPC® National Plumbing Code of Canada.

[Clean and Care Manual \(PDF\)](#)

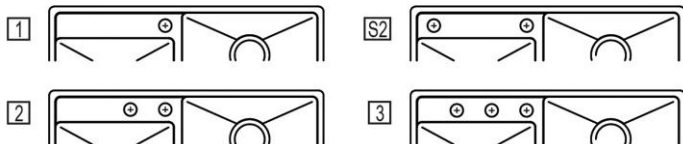
[Installation Instructions \(PDF\)](#)

[Warranty \(PDF\)](#)

**Similar models are available with:** bowl on the opposite side, included accessories (kit)

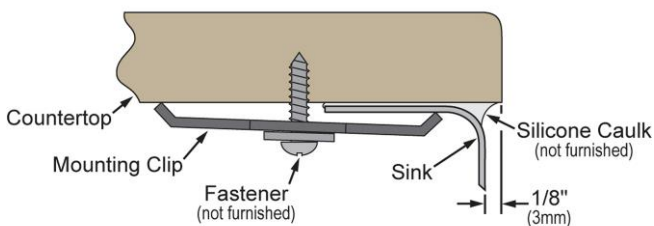
**Hole Drilling Configurations:**

1-1/2" (38mm) Diameter Faucet Holes

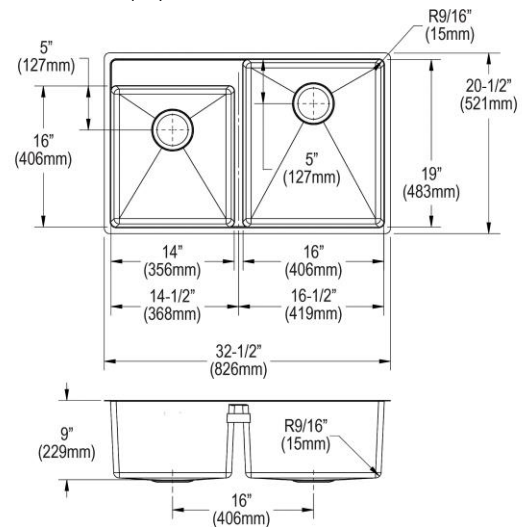


**Installation Profile:**

1/8" OVERHANG



Designed to affix to the underside of any solid surface countertop.



PART: \_\_\_\_\_ QTY: \_\_\_\_\_

PROJECT: \_\_\_\_\_

CONTACT: \_\_\_\_\_

DATE: \_\_\_\_\_

NOTES: \_\_\_\_\_

APPROVAL: \_\_\_\_\_

*In keeping with our policy of continuing product improvement, Elkay reserves the right to change product specifications without notice. Please visit [elkay.com](http://elkay.com) for the most current version of Elkay product specification sheets. This specification describes an Elkay product with design, quality, and functional benefits to the user. When making a comparison of other producers' offerings, be certain these features are not overlooked.*

**OPTIONAL ACCESSORIES**

<b>Drain:</b>	LKDD, LK35
<b>Faucet:</b>	LK3000CR, LK3001CR, LK5000CR, LK5000LS
<b>Soap Dispenser:</b>	LK320

*In keeping with our policy of continuing product improvement, Elkay reserves the right to change product specifications without notice. Please visit [elkay.com](http://elkay.com) for the most current version of Elkay product specification sheets. This specification describes an Elkay product with design, quality, and functional benefits to the user. When making a comparison of other producers' offerings, be certain these features are not overlooked.*