

PRODUCT SPECIFICATIONS

Ferguson Exclusive Elkay Crosstown 33" x 22" x 9" Stainless Steel Double Bowl Dual Mount Sink Kit w/ Aqua Divide. Sink is manufactured from 18 gauge 304 Stainless Steel with a Polished Satin finish, Rear Center drain placement, and Sound Guard.

| | |
|------------------------------|---|
| Installation Type: | Top Mount, Undermount |
| Material: | 304 Stainless Steel |
| Special Features: | Aqua Divide |
| Finish: | Polished Satin |
| Gauge: | 18 |
| Sound Deadening: | Sound Guard |
| Number of Bowls: | 2 |
| Sink Dimensions: | 33" x 22" x 9" |
| Bowl 1 Dimensions: | 17-1/2" x 16-3/4" x 9" |
| Bowl 2 Dimensions: | 12" x 16-3/4" x 9" |
| Drain Size: | 3-1/2" (89mm) |
| Drain Location: | Rear Center |
| Minimum Cabinet Size: | 36" |
| Mounting Hardware: | Part # 64090022 included for top mount installation for countertops up to 3/4" (19mm) thick |
| Template Included: | Yes |
| Cutout Template #: | 1000001180 |

Template is available for download at [elkay.com](#)

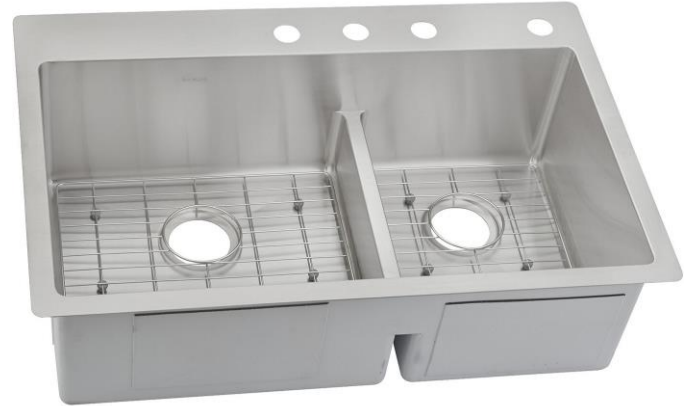
Cutout Dimensions for Top Mount Installation:

32-3/8" x 21-3/8" (822mm x 543mm) with 1/2" (38mm) corner radius

Special Note: Available exclusively at Ferguson and Build.com.

Hole Drilling Configurations:

1-1/2" (38mm) Diameter Faucet Holes on 4" (102mm) Centers



Included with Product: ECTSRAO33229 sink, one GFOBG1615SS bottom grid, one GFOBG1115SS bottom grid

AMERICAN PRIDE. A LIFETIME TRADITION. Like your family, the Elkay family has values and traditions that endure. For almost a century, Elkay has been a family-owned and operated company, providing thousands of jobs that support our families and communities.



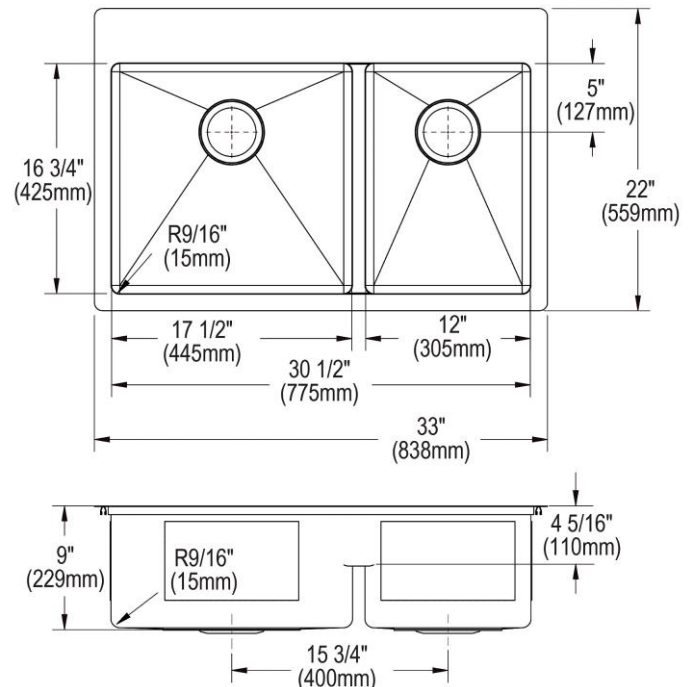
Sinks are listed by IAPMO[®] as meeting the applicable requirements of the Uniform Plumbing Code[®], International Plumbing Code[®], and National Plumbing Code of Canada.

Product Compliance: ASME A112.19.3/CSA B45.4

[Clean and Care Manual \(PDF\)](#)

[Installation Instructions \(PDF\)](#)

[Limited Lifetime Warranty \(PDF\)](#)



PART: _____ QTY: _____

PROJECT: _____

CONTACT: _____

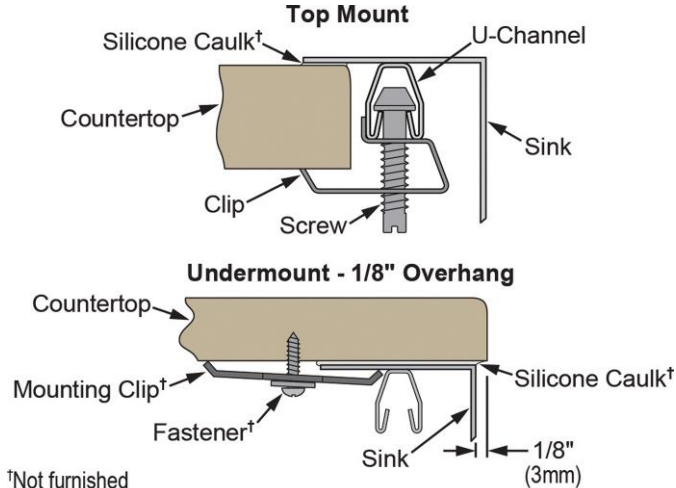
DATE: _____

NOTES: _____

APPROVAL: _____

In keeping with our policy of continuing product improvement, Elkay reserves the right to change product specifications without notice. Please visit [elkay.com](#) for the most current version of Elkay product specification sheets. This specification describes an Elkay product with design, quality, and functional benefits to the user. When making a comparison of other producers' offerings, be certain these features are not overlooked.

Installation Profile:



[†]Not furnished
Designed to affix to the underside of any solid surface countertop.

OPTIONAL ACCESSORIES

| | |
|------------------|--|
| Drain: | LK35, LKDS35, LK99S |
| Hardware: | LKUCLIP8 |
| Sinkmate: | LKSM17, LKSMHOOK, LKSMSPONGE, LKSMHSL |

In keeping with our policy of continuing product improvement, Elkay reserves the right to change product specifications without notice. Please visit elkay.com for the most current version of Elkay product specification sheets. This specification describes an Elkay product with design, quality, and functional benefits to the user. When making a comparison of other producers' offerings, be certain these features are not overlooked.