

# ELKAY® SPECIFICATIONS

## Filtered Wall Mount Water Cooler Models LZ(S)8 and LZ(S)D

RATED FOR INDOOR USE ONLY

### PRODUCT SPECIFICATION

Self-contained, wall mount single electric water cooler. Refrigerated LZ(S)8 models offer a chilling capacity of 8 gallons per hour of 50°F drinking water, based upon 80°F inlet water and 90°F ambient. Models LZ(S)D are non-refrigerated and shall deliver non-chilled drinking water. Shall include the WaterSentry® VII 1500-gallon capacity filter, certified to NSF/ANSI 42 and 53. Unit shall meet ADA guidelines. Unit shall be lead-free design which is certified to NSF/ANSI 61 and 372 and meets Federal and State low-lead requirements. Unit shall be certified to UL399 and CAN/CSA 22.2 No. 120.

Models LZS have self-closing Easy-Touch pushbar controls on front & sides.  
Models LZ have self-closing Easy-Touch pushbar controls on front only.  
Models LZ(S)D are non-refrigerated. Requires outlet for power cord.

### STANDARD FEATURES

- Easy-Touch pushbar activation
- WaterSentry® VII 1500-gallon capacity Filtration System, certified to NSF/ANSI 42 & 53 (Lead, Class 1 Particulate, Chlorine, Taste & Odor)
- Extra deep basin minimizes splashing; with integral drain
- Available with Flexi-Guard® Safety bubbler or Vandal-resistant<sup>†</sup> bubbler (includes "VR" code in model no. see chart below)
- Valve with built-in flow regulator to provide constant stream from 20 to 105 psi water pressure
- Finish options: Impact-resistant vinyl coating or stainless steel wrapper
- Rated for Indoor use

### COOLING SYSTEM (Models LZ(S)(VR)8 only)

- Compressor: Hermetically-sealed, reciprocating type, single phase. Sealed-in lifetime lubrication.
- Condenser: Fan cooled, copper tube with aluminum fins. Fan motor is permanently lubricated.
- Cooling Unit: Tube type. Self-cleansing. Continuous Copper tubing which is fully insulated with EPS foam that meets UL requirements for self-extinguishing material
- Refrigerant Control: Refrigerant R134a is controlled by accurately calibrated capillary tube.
- Temperature Control: Easily accessible enclosed adjustable thermostat is factory preset. Requires no adjustment other than for altitude requirements.



### CONSTRUCTION

- Stainless Steel basin with integral drain
- Galvanized structural steel cooler chassis provides structural integrity
- Cooler cabinet available as Light Gray Granite Vinyl Clad Steel or Stainless Steel (additional cost) construction
- Exclusive Flexi-Guard® Safety Bubbler (option) utilizes an infused anti-microbial pliable polyester elastomer to prevent accidental mouth injuries. Flexes on impact.
- Vandal-resistant<sup>†</sup> bubbler (option) is one-piece, heavy duty construction

### REPLACEMENT FILTER:

- 51299C (single)

**Warranty:** 5 year limited warranty on the unit's refrigeration system. Electrical components and water system are warranted for 12 months from date of installation or 18 months from factory shipment, whichever date falls first.

CAPACITIES CHART						UL US	ADA COMPLIANT	NSF/ANSI 61 and 372 Certified	NSF/ANSI 42 and 53 Certified (Filter only)
Model	Voltage / Hertz	Chilling** Capacity	F.L. Amps	Rated Watts	Approx. Ship Wt.	UL399 and CAN/CSA 22.2 No. 120 Certified	ADA COMPLIANT	NSF/ANSI 61 and 372 Certified	NSF/ANSI 42 and 53 Certified (Filter only)
† LZ(S)8*(F)	115V / 60Hz	8 GPH	4.0	370	54 lbs	•	•	•	•
LZSVR8*	115V / 60Hz	8 GPH	4.0	370	54 lbs.	•	•	•	•
LZ(S)(VR)8*2JO	220V / 50Hz	6.7 GPH	2.0	370	54 lbs	++	•	•	•
LZ(S)(VR)8*3JO	220V / 60Hz	8 GPH	2.0	370	54 lbs	++	•	•	•
LZ(S)(VR)D*	115V / 60Hz	—	1.0	15	28 lbs	•	•	•	•

\*Color code of (L) Light Gray Granite or (S) Stainless Steel cooler wrapper.  
\*\*Based on 80°F inlet water & 90°F ambient air temp for 50°F chilled drinking water.  
++Complies; not third party certified.  
† Glass filler available at extra cost, add code (F). Requires factory preparation to receive glass filler.

*This specification describes an Elkay product with design, quality and functional benefits to the user. When making a comparison of other producer's offerings, be certain these features are not overlooked.*

# Filtered Wall Mount Water Cooler Models LZ(S)8 and LZ(S)D

# ELKAY® ROUGH-IN DIMENSIONS

RATED FOR INDOOR USE ONLY

Open space rough-in design permits new installation or replacement of existing fountains and coolers with this Elkay cooler when rough-in is within the outline shown.

### IMPORTANT! INSTALLER PLEASE NOTE:

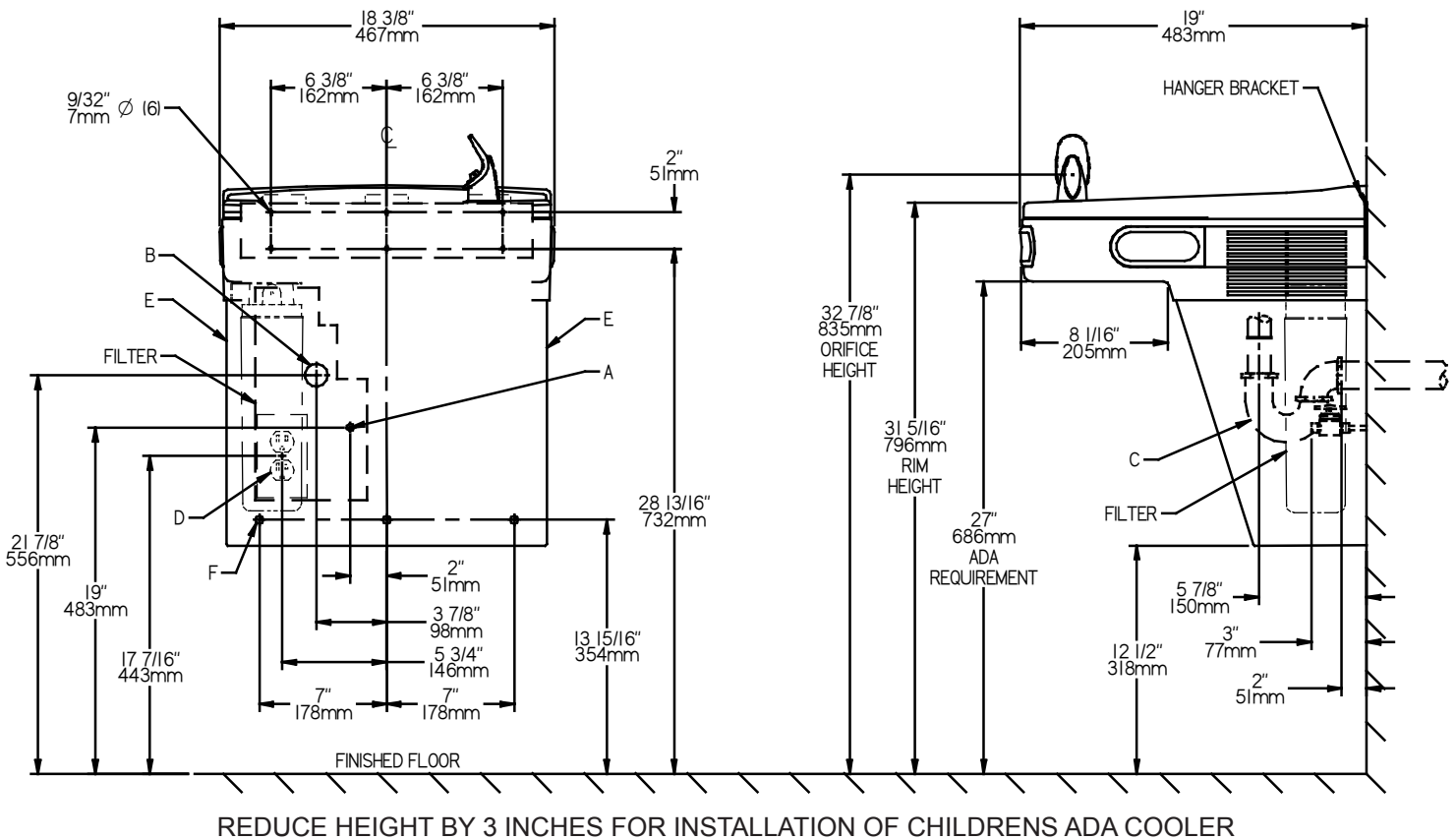
This water cooler has been designed and built to provide water to the user which has not been altered by materials in the cooler waterways.

The grounding of electrical equipment such as telephone, computers, etc to water lines is a common procedure. This grounding may be in the building or occur away from the building. This grounding can cause electrical feedback into a water cooler creating an electrolysis which creates a metallic taste or causes an increase in the metal content of the water. This condition is avoidable by installing the cooler using the proper materials as shown below.

Model shown with Flexi-Guard® bubbler.

### NOTICE

This water cooler must be connected to the water supply using a dielectric coupling. The cooler is furnished with a non-metallic strainer which meets this requirement. The drain trap, which is provided by the installer, should also be plastic to completely isolate the cooler from the building plumbing system.



### LEGEND:

- A = Recommended Water Supply location. Shut-off Valve (not furnished) to accept 3/8" O.D. unplated copper tube. Up to 3" (76mm) maximum out from wall.
- B = Recommended Waste Outlet location. To accommodate 1-1/4" nominal drain. Drain stub 2" (51mm) out from wall.
- C = 1-1/4" Trap (not furnished).
- D = Electrical Supply (3) Wire Recessed Box Duplex Outlet.
- E = Insure proper ventilation by maintaining 6" (152mm) minimum clearance from cabinet louvers to wall.
- F = 7/16" (11mm) Bolt Holes for fastening to wall.

NOTE: New Installations Must Use Ground Fault Circuit Interrupter (GFCI)

Job Name: _____	
Model: _____	Qty. _____
Contact: _____	
Approval Signature: _____	
Notes: _____	