

ELKAY® SPECIFICATIONS

Filtered and Vandal-Resistant Wall Mount Water Cooler Models LVRC8S, LVRCDS

RATED FOR INDOOR USE ONLY

PRODUCT SPECIFICATION

LVRC8S shall deliver 8 GPH of 50°F drinking water at 90°F ambient and 80°F inlet water. LVRCDS is non-refrigerated and shall deliver non-chilled drinking water. Unit shall be stainless steel construction and include vandal-resistant pushbutton activation. Cooler shall include vandal-resistant bubbler. Shall include the WaterSentry® VII 1500-gallon capacity filter, certified to NSF/ANSI 42 and 53. Unit shall meet ADA guidelines. Unit shall be lead-free design which is certified to NSF/ANSI 61 and 372 and meets federal and state low-lead requirements. Unit shall be certified to UL399 and CAN/CSA 22.2 No. 120.



STANDARD FEATURES

- Vandal-resistant pushbutton activation
- WaterSentry® VII 1500-gallon capacity filtration system, certified to NSF/ANSI 42 & 53 (Lead, Particulate Class I, Chlorine, Taste & Odor)
- Real Drain System eliminates standing water
- Includes vandal-resistant bubbler
- Cooler Panel Finish: Stainless Steel

COOLING SYSTEM (LVRC8S models only)

- Compressor: Hermetically sealed, reciprocating type, single phase. Sealed-in lifetime lubrication.
- Condenser: Fan cooled, copper tube with aluminum fins. Fan motor is permanently lubricated.
- Cooling unit: Combination tube-tank type. Self-cleansing. Continuous copper tubing with stainless steel tank. Fully insulated with EPS foam which meets UL requirements for self-extinguishing material.
- Refrigerant Control: Refrigerant R134a is controlled by accurately calibrated capillary tube.
- Temperature Control: Easily accessible enclosed adjustable thermostat is factory preset. Requires no adjustment other than for altitude requirements.

CONSTRUCTION

- Stainless steel basin with integral drain
- Galvanized structural steel cooler chassis provides structural integrity
- Stainless steel construction bottle filler
- Cooler cabinet is stainless steel construction
- Vandal-resistant bubbler is one-piece, heavy-duty

REPLACEMENT FILTERS:

- 51299C (single)

WARRANTY

5 Year limited warranty on the unit's refrigeration system. Electrical components and water system are warranted for 12 months from date of installation or 18 months from factory shipment, whichever date falls first.

CAPACITIES CHART									
Model	Voltage / Hertz	Chilling Capacity**	F.L. Amps	Rated Watts	Approx. Shipping Wt. (lb)	UL399 and CAN/CSA 22.2 No. 120 Certified	ADA Compliant	ANSI/NSF 61 & 372 Certified	ANSI/NSF 42 and 53 Certified (Filter only)
LVRC8S	115V / 60Hz	8 GPH	5.0	370	62	•	•	•	•
LVRC8S2JO	220V / 50Hz	6.7 GPH	2.5	370	62	++	•	•	•
LVRC8S3JO	220V / 60Hz	8 GPH	2.5	370	62	++	•	•	•
LVRCDS	115V / 60Hz	-	1.0	15	30	•	•	•	•

**Based on 80°F inlet water and 90°F ambient air temp for 50°F chilled drinking water.
++Complies; not third party certified

This specification describes an Elkay product with design, quality and functional benefits to the user. When making a comparison of other producers' offerings, be certain these features are not overlooked.

**Filtered and Vandal-Resistant
Wall Mount Water Cooler
Models LVRC8S, LVRCDS**

**ELKAY®
ROUGH-IN DIMENSIONS**

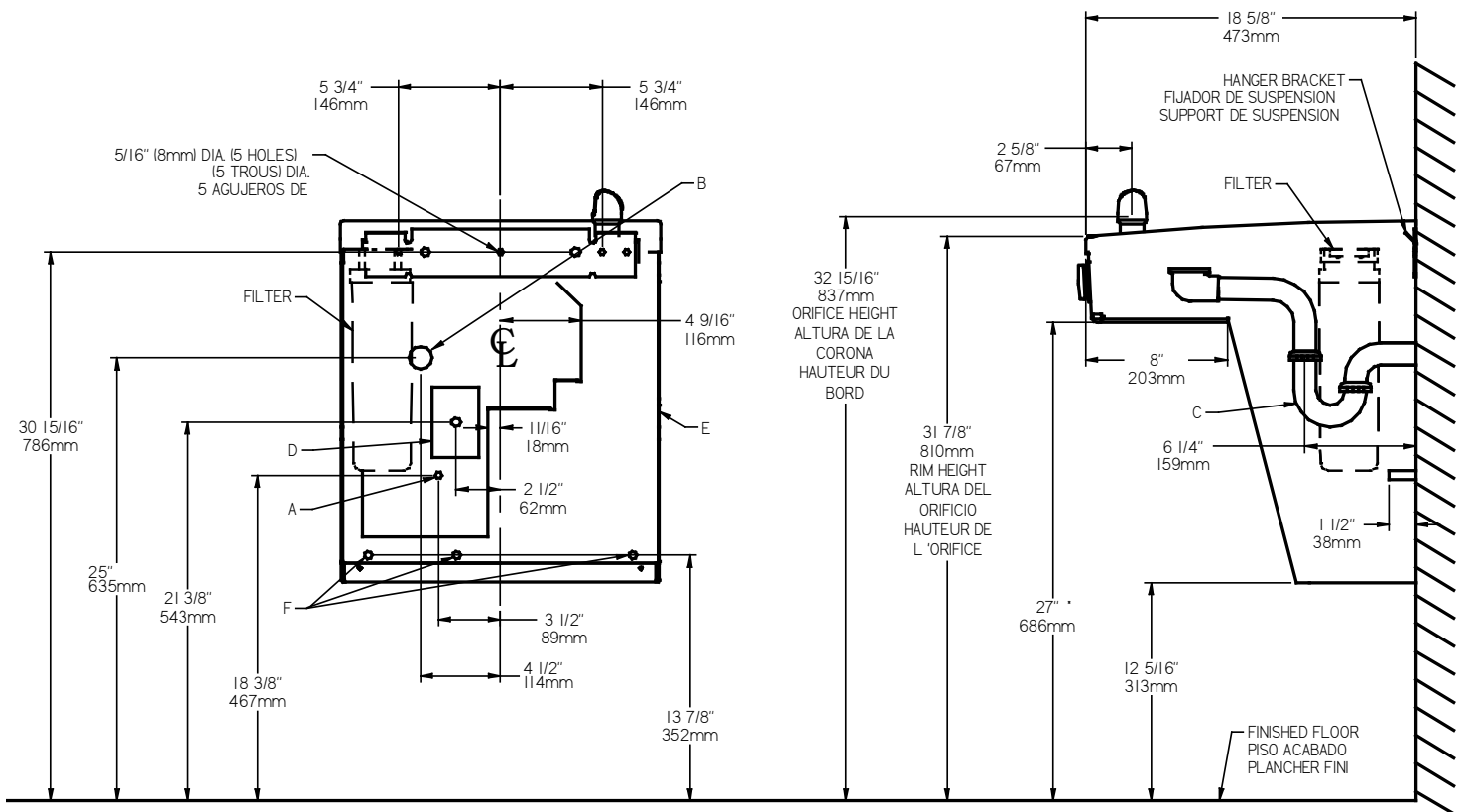
RATED FOR INDOOR USE ONLY

IMPORTANT! INSTALLER PLEASE NOTE:

These units are designed and built to provide water to the user which has not been altered by materials in the cooler waterway. The grounding of electrical equipment such as telephone, computers, etc. to water lines is a common procedure. This grounding may be in the building buy may also occur away from the building. This grounding can cause electrical feedback into a water cooler creating an electrolysis which results in a metallic taste or an increase in the metal content of the water. This condition is avoidable by installing the cooler using the proper materials as shown.

NOTICE:

This water cooler must be connected to the water supply using a dielectric coupling. The cooler is furnished with a non-metallic strainer which meets this requirement. The drain trap which is provided by the installer should also be plastic to completely isolate the cooler from the building plumbing system.



REDUCE HEIGHT BY 3" FOR INSTALLATION OF CHILDREN'S ADA COOLER

LEGEND:

- A = Recommended Water Supply location. Shut-off Valve (not furnished) to accept 3/8" O.D. unplated copper tube. Up to 3" (38mm) maximum out from wall.
 - B = Recommended Waste Outlet location. To accommodate 1-1/4" nominal drain. Drain stub 2" (51mm) out from wall.
 - C = 1-1/4" Trap (not furnished).
 - D = Electrical Supply (3) Wire Recessed Box Duplex Outlet.
 - E = Insure proper ventilation by maintaining 6" (152mm) minimum clearance from cabinet louvers to wall.
 - F = 7/16" (11mm) Bolt Holes for fastening to wall.
- NOTE: Installations Must Use Ground Fault Circuit Interrupter. (GFCI)

Job Name: _____

Model: _____ Qty. _____

Contact: _____

Approval Signature: _____

Notes: _____