

ELKAY® SPECIFICATIONS

Bi-Level, Tubular Pedestal Freeze-Resistant, Barrier-Free Fountain Model LK4420FRK

GENERAL

Pedestal steel fountain with textured powder coat finish and E-Coat immersion for year-round beauty with minimum maintenance. The E-Coat immersion process coats the outside and inside of the fountain for the ultimate in corrosion protection. Contour-formed stainless steel bi-level basins with rounded corners and edges reduces splatter, insures proper drainage and prevents standing waste water. Designed to be easily accessible to both physically challenged and able-bodied individuals. Ideally suited for installation in public areas. Model meets state and federal requirements as defined by the Americans with Disabilities Act.

NO LEAD DESIGN

THIS DRINKING FOUNTAIN COMPLIES WITH THE LEAD-FREE DEFINITION IN THE SAFE DRINKING WATER ACT OF 1986 AND LEAD CONTAMINATION CONTROL ACT OF 1988.

Elkay Drinking Fountains are manufactured with a waterway system utilizing copper components and completely lead-free material. These waterways have no lead because all leaded materials, such as leaded brass, have been removed.

CONSTRUCTION

Freeze-Resistant Valve System: Freeze-resistant valve designed for ground installation 18" below the frost line. 60" of access tubing provided with the freeze-resistant valve system. The length of the tubing can be reduced in the field for lesser frost depths.

Bubbler: Vandal-resistant, bubblers are one-piece, chrome-plated with integral hood guard design to prevent contamination from other users, airborne deposits and tampering.

Pushbutton Actuation Mechanism: Self-closing, vandal-resistant pushbuttons do not require grasping or twisting.

Automatic Stream Height Regulator: Self-cleaning assembly is located inside unit to prevent tampering. Unit resists corrosion and liming. A constant stream height is automatically maintained under line pressures that vary from 20 to 105 psi.

Water Inlet: 3/8" female NPT fitting.

Drain Outlet: Drain requirements are detailed in the owner's manual.

Access Panel: Manufactured of heavy-gauge steel with vandal-resistant screws. Provides access for easy hook-up of all plumbing connections.



This fountain is ADA compliant.

SUGGESTED SPECIFICATIONS

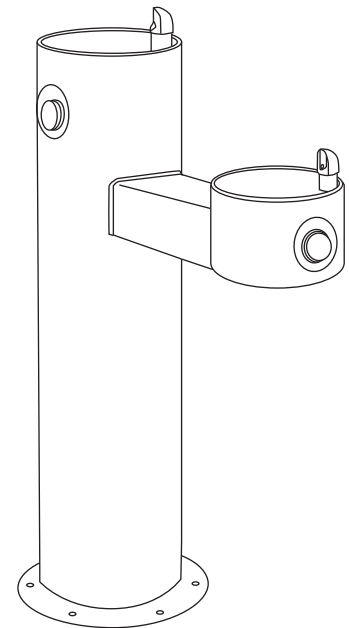
Fountain shall include pushbuttons on the front and side. Shall include contoured-formed basins to eliminate splashing and standing water, and shall have rounded corners and edges. Projectors shall be chrome-plated vandal-resistant type with integral hood guard and anti-squirt feature. Fountain shall comply with ANSI 117:1 and ADA for visual and motion disabilities. The manufacturer shall certify the unit to meet the requirements of NSF/ANSI 61/372, and the Safe Drinking Water Act.

Shipping Weight: 175 lbs.

This fountain is certified by WQA to lead-free compliance including **NSF/ANSI 61 and 372.**

In keeping with our policy of continuing product improvement, Elkay reserves the right to change product specifications without notice.

This specification describes an Elkay product with design, quality and functional benefits to the user. When making a comparison of other producers' offerings, be certain these features are not overlooked.



Model LK4420FRK

**Bi-Level, Tubular Pedestal
Freeze-Resistant, Barrier-Free Fountain
Model LK4420FRK**

**ELKAY®
ROUGH-IN DIMENSIONS**

**MOUNTING INSTRUCTIONS and
PLUMBING INSTRUCTIONS**

Site and drainage excavation is required for fountain installation. Provide solid, well-drained site and drainage surface to mount pedestal fountain (concrete pad recommended). (6) 1/2" anchor bolts (not included) should be attached firmly to mounting surface in order to secure fountain. Refer to rough-in diagram and be sure to allow an opening for the freeze-resistant valve in the ground as shown in the installation instructions that accompany the fountain. Refer to local codes for any additional requirements.

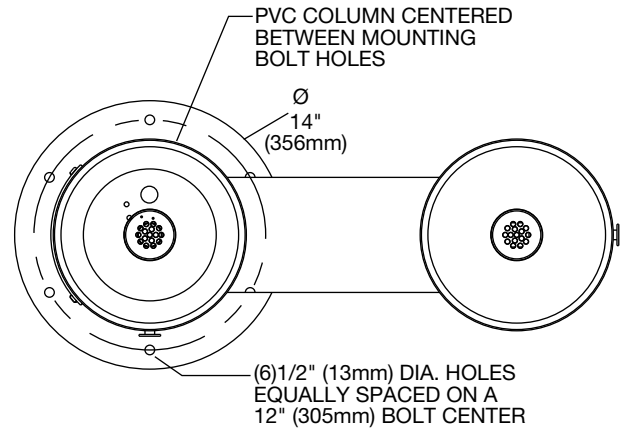
NOTE: Fountain is not furnished with service valve. Assemble fountain to prepared site and mounting pad.

Position pedestal over plumbing and secure base to anchor bolts. Remove access panels and connect supply and water lines. Turn on water supply and check for leaks. Refer to owner's manual for detailed instructions.

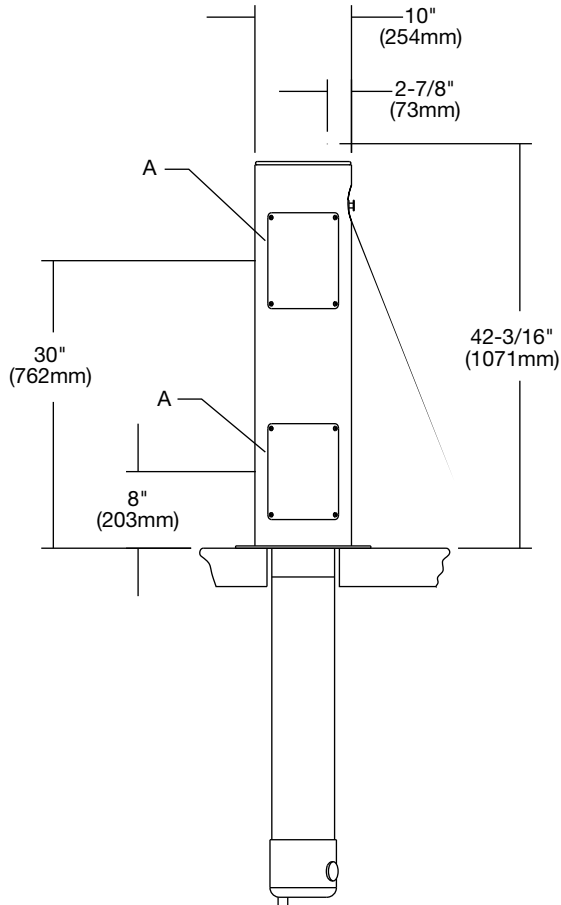
Service stop not included.

Operating Pressures: Supply water - 105 psi maximum.

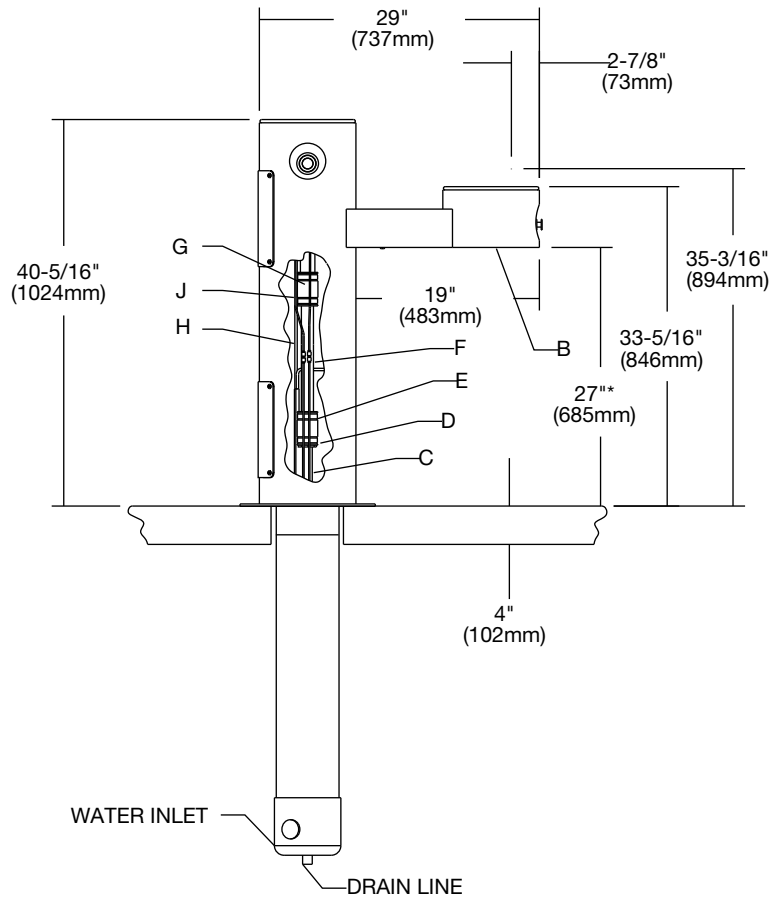
TOP VIEW



FRONT VIEW



SIDE VIEW



LEGEND

- A = ACCESS PANEL (8" X 10")
- B = REMOVABLE BOTTOM COVER
- C = 1" PVC DRAIN
- D = PRESSURE FITTING 1-1/4" X 3/4"
- E = CONNECTOR 1-1/4" TO 1-1/4"

- F = 1-1/4" DRAIN TUBE
- G = AIR CONTROL LINE
- H = 1/4" WATER LINE
- J = CONNECTOR FOR AIR CONTROL LINE
- *ADA Requirement