

# ELKAY® SPECIFICATIONS

## Sanitary Freeze-Resistant Barrier-Free Fountain Model LK4410SFRK

### GENERAL

Pedestal steel fountain with textured powder coat finish and E-Coat immersion for year-round beauty with minimum maintenance. The E-Coat immersion process coats the outside and inside of the fountain for the ultimate in corrosion protection. Contour-formed stainless steel basin with rounded corners and edges reduces splatter, insures proper drainage and prevents standing waste water. Designed to be easily accessible to both physically challenged and able-bodied individuals. Ideally suited for installation in public areas. Model meets state and federal requirements as defined by the Americans with Disabilities Act.

### NO LEAD DESIGN

**THIS DRINKING FOUNTAIN COMPLIES WITH THE LEAD-FREE DEFINITION IN THE SAFE DRINKING WATER ACT OF 1986 AND LEAD CONTAMINATION CONTROL ACT OF 1988.**

Elkay Drinking Fountains are manufactured with a waterway system utilizing copper components and completely lead-free material. These waterways have no lead because all leaded materials, such as leaded brass, have been removed.

### CONSTRUCTION

**Sanitary Freeze-Resistant Valve System:** Fully sealed assembly minimizes chance of ground water contamination, and prevents drain water from mixing with fresh water. Freeze-resistant valve designed for ground installation 18" below the frost line.

**Bubbler:** Vandal-resistant bubbler is one-piece, chrome-plated, with integral hood guard design to prevent contamination from other users, airborne deposits and tampering.

**Pushbutton Actuation Mechanism:** Self-closing, vandal-resistant pushbutton does not require grasping or twisting.

**Automatic Stream Height Regulator:** Self-closing assembly is located inside unit to prevent tampering. Unit resists corrosion and liming. A constant stream height is automatically maintained under line pressures that vary from 20 to 105 psi.

**Water Inlet:** 1/2" male NPT fitting.

**Drain Outlet:** Drain requirements are detailed in the owner's manual.

**Access Panel:** Manufactured of heavy-gauge steel with vandal-resistant screws. Provides access for easy hook-up of all plumbing connections.



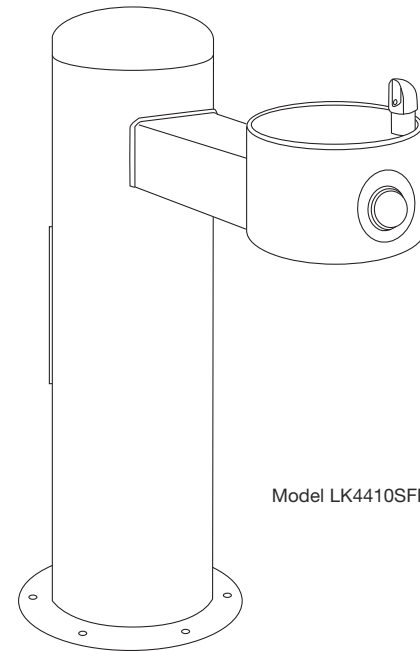
This fountain is ADA compliant.

### SUGGESTED SPECIFICATIONS

Fountain shall include pushbutton on the front. Shall include contoured-formed basin to eliminate splashing and standing water, and shall have rounded corners and edges. Projector shall be chrome-plated vandal-resistant type with integral hood guard and anti-squirt feature. Fountain shall comply with ANSI 117:1 and ADA for visual and motion disabilities. The manufacturer shall certify the unit to meet the requirements of NSF/ANSI 61/372, and the Safe Drinking Water Act.

**Shipping Weight:** 181 lbs.

This fountain is certified by WQA to lead-free compliance including **NSF/ANSI 61 and 372.**



Model LK4410SFRK

*In keeping with our policy of continuing product improvement, Elkay reserves the right to change product specifications without notice.*

*This specification describes an Elkay product with design, quality and functional benefits to the user. When making a comparison of other producers' offerings, be certain these features are not overlooked.*

**Sanitary Freeze-Resistant  
Barrier-Free Fountain  
Model LK4410SFRK**

**ELKAY®  
ROUGH-IN DIMENSIONS**

**MOUNTING INSTRUCTIONS and  
PLUMBING INSTRUCTIONS**

Site and drainage excavation is required for fountain installation. Refer to owner's manual for site preparation details. Provide solid, well-drained surface to mount pedestal fountain (concrete pad recommended). (6) 1/2" anchor bolts (not furnished) should be attached firmly to mounting surface in order to secure fountain. Refer to rough-in diagram and be sure to allow an opening for the freeze-resistant valve in the ground as shown in the installation instructions that accompany the fountain. Refer to local codes for any additional requirements.

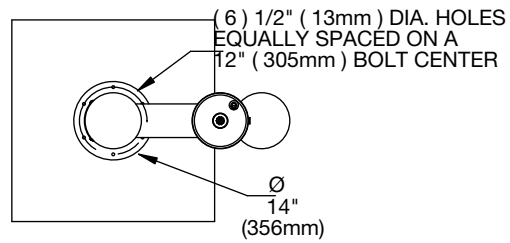
NOTE: Fountain is not furnished with service valve. Assemble fountain to prepared site and mounting pad.

Position pedestal over plumbing and secure base to anchor bolts. Remove access panels and connect supply and water lines. Turn on water supply and check for leaks. Refer to owner's manual for detailed instructions.

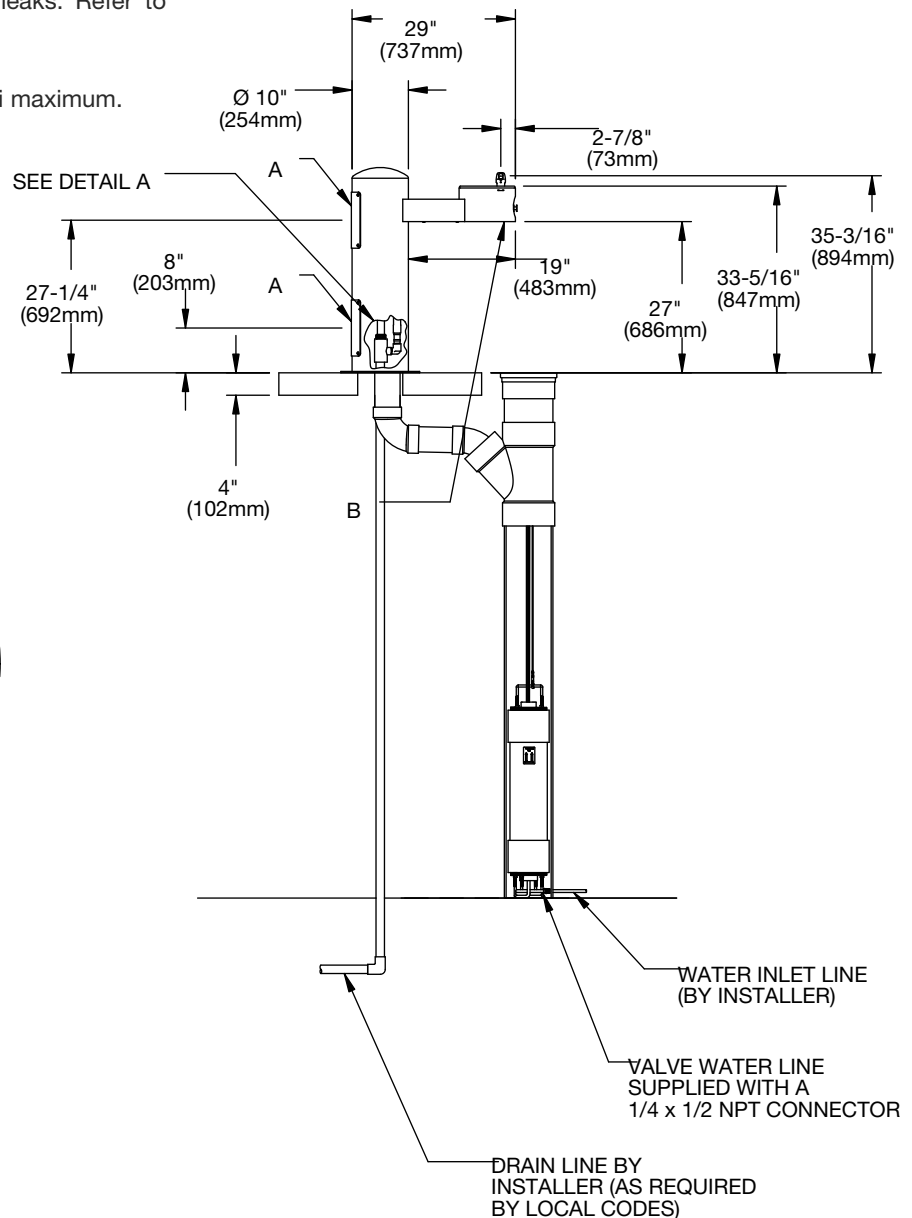
Service stop not included.

**Operating Pressures:** Supply water - 105 psi maximum.

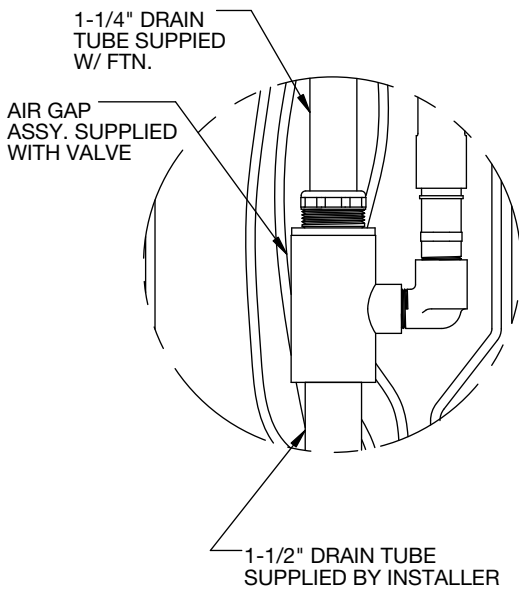
**TOP VIEW**



**SIDE VIEW**



**DETAIL A  
AIR GAP / VACUUM BREAKER**



**LEGEND**

- A = ACCESS PANEL (8" X 10")
- B = REMOVABLE BOTTOM COVER