

GENERAL

Wall-mounted steel fountain with textured powder coat finish and E-Coat immersion for year-round beauty with minimum maintenance. The E-Coat immersion process coats the outside and inside of the fountain for the ultimate in corrosion protection. Contour-formed stainless steel basin with rounded corners and edges reduces splatter, insures proper drainage and prevents standing waste water. Designed to be easily accessible to both physically challenged and able-bodied individuals. Ideally suited for installation in public areas. Model meets state and federal requirements as defined by the Americans with Disabilities Act.

NO LEAD DESIGN

THIS DRINKING FOUNTAIN COMPLIES WITH THE LEAD-FREE DEFINITION IN THE SAFE DRINKING WATER ACT OF 1986 AND LEAD CONTAMINATION CONTROL ACT OF 1988.

Elkay Drinking Fountains are manufactured with a waterway system utilizing copper components and completely lead-free material. These waterways have no lead because all leaded materials, such as leaded brass, have been removed.

CONSTRUCTION

Freeze-Resistant Valve System: Freeze-resistant system features box that installs behind non-freezing wall for housing water connection from the stop to the strainer.

Bubbler: Vandal-resistant bubbler is one-piece, chrome-plated, with integral hood guard design to prevent contamination from other users, airborne deposits and tampering.

Pushbutton Actuation Mechanism: Self-closing, vandal-resistant pushbutton does not require grasping or twisting.

Automatic Stream Height Regulator: Self-closing assembly is located inside unit to prevent tampering. Unit resists corrosion and liming. A constant stream height is automatically maintained under line pressures that vary from 20 to 105 psi.

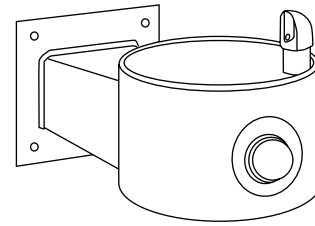
Inlet Strainer: Easily cleaned in-line strainer screen traps particles of 140 microns or larger before they enter the waterway.

Water Inlet: 3/8" O.D. Tubing into freeze-resistant box.

Drain Outlet: 1-1/4" waste outlet located in freeze-resistant valve system.



This fountain is ADA compliant.



Model LK4405FRK

SUGGESTED SPECIFICATIONS

Fountain shall include pushbutton on the front. Shall include contoured-formed basin to eliminate splashing and standing water, and shall have rounded corners and edges. Projector shall be chrome-plated vandal-resistant type with integral hood guard and anti-squirt feature. Fountain shall comply with ANSI 117:1 and ADA for visual and motion disabilities. The manufacturer shall certify the unit to meet the requirements of NSF/ANSI 61/372, and the Safe Drinking Water Act.

Shipping Weight: 62 lbs.

This fountain is certified by WQA to lead-free compliance including **NSF/ANSI 61 and 372**.

In keeping with our policy of continuing product improvement, Elkay reserves the right to change product specifications without notice.

This specification describes an Elkay product with design, quality and functional benefits to the user. When making a comparison of other producers' offerings, be certain these features are not overlooked.

**Tubular Wall Mount
Barrier-Free Fountain
Model LK4405FRK**

**ELKAY®
ROUGH-IN DIMENSIONS**

MOUNTING INSTRUCTIONS

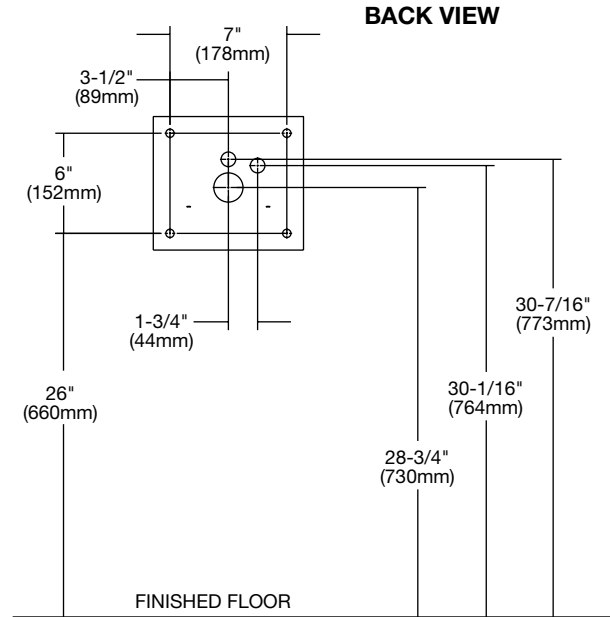
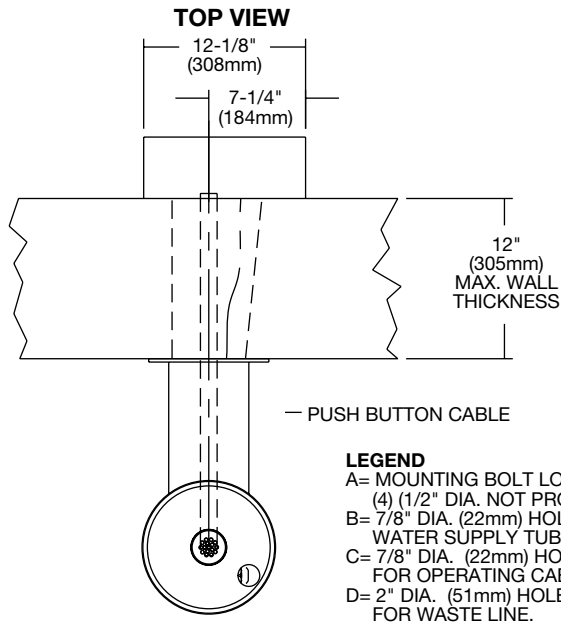
Refer to diagrams for rough-in of freeze-resistant system and plumbing. This fountain is to be mounted on a smooth, flat finished wall surface with adequate support structure. See installation instructions provided with fountain for required wall support location. NOTE: Wall mounting structure must be capable of support 300 lb. load on fountain. Water service line and waste line are to be assembled as required. Final check for leaks and correct functions of fountain should be made. (For details see the installation instructions.)

Freeze resistant box must be installed on interior non-freezing wall.

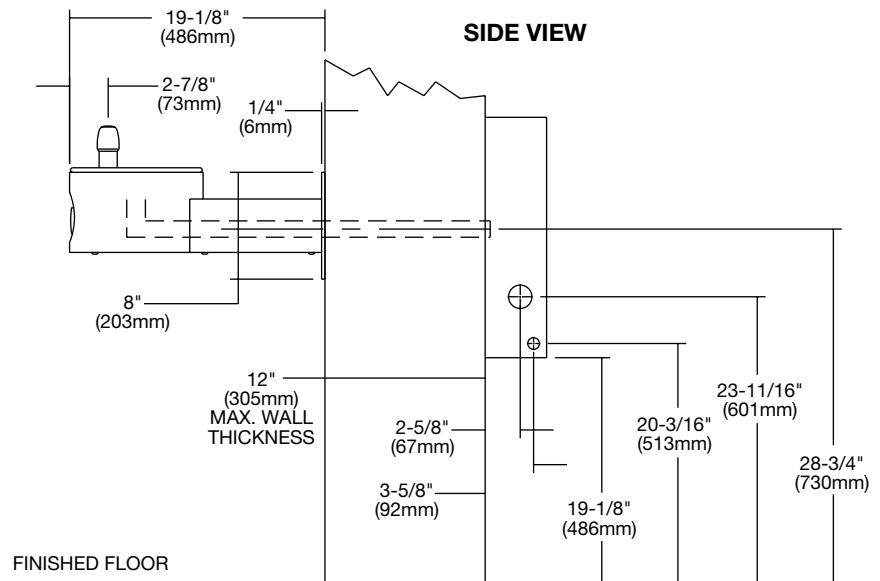
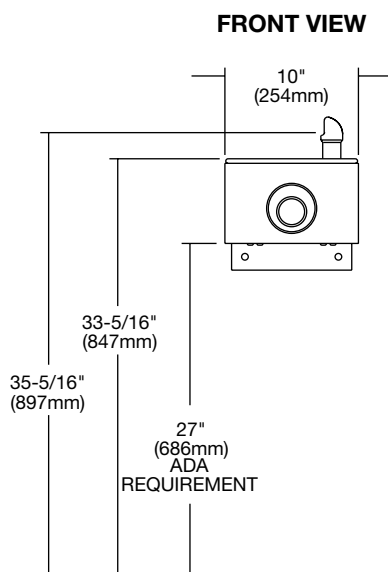
CAUTION — Fountain must be securely bolted to wall.

Service stop not included.

Operating Pressures: Supply water - 105 psi maximum.



LEGEND
A= MOUNTING BOLT LOCATIONS
(4) (1/2" DIA. NOT PROVIDED).
B= 7/8" DIA. (22mm) HOLE FOR
WATER SUPPLY TUBE.
C= 7/8" DIA. (22mm) HOLE
FOR OPERATING CABLE.
D= 2" DIA. (51mm) HOLE
FOR WASTE LINE.



1. WALL SHOULD ALREADY BE FRAMED FOR THE FOUNTAIN USING DIMENSIONS SHOWN IN FIG. 1. SHOWN DIMENSIONS PERTAIN TO INSTALLATION LOCATION. THESE DIMENSIONS ARE REQUIRED FOR COMPLIANCE WITH ANSI STANDARD A117.1 AND ADA (FRAMING SHOWN FOR REFERENCE ONLY).
2. REMOVE BOTTOM COVER FROM FOUNTAIN AND SAVE SCREWS.
3. INSTALL FOUNTAIN USING BOLTS AND WASHERS (NOT PROVIDED). TIGHTEN SECURELY.
4. ATTACH DRAIN TUBE TO FOUNTAIN AND CUT TO REQUIRED LENGTH USING THE FREEZE RESISTANT BOX AS A GUIDE.
5. INSTALL FREEZE-RESISTANT BOX - SEE BOX INSTRUCTIONS.
6. REPLACE BOTTOM COVER.