

# ELKAY® SPECIFICATIONS

## EZH2O® Bottle Filling Station In-Wall Recessed Model EZWS(M)8K & EZWS(M)DK

**RATED FOR INDOOR USE ONLY**

### PRODUCT SPECIFICATION

In-wall recessed bottle filling station. EZWS(M)8K shall deliver 8 GPH of 50°F drinking water at 90°F ambient and 80°F inlet water. EZWS(M)DK shall deliver non-chilled drinking water. Units shall be stainless steel construction with plastic ABS alcove. Sensor-activation with an auto 20-second shut-off timer. Shall include Green Ticker™ displaying count of plastic bottles saved from waste. Bottle filler shall provide 1.1-1.5 gpm flow rate with laminar flow to minimize splashing. Shall include integrated silver ion anti-microbial protection in key areas. Unit shall meet ADA guidelines. Unit shall be lead-free design which is certified to NSF/ANSI 61 and 372 and meets Federal and State low-lead requirements. Unit shall be certified to UL399 and CAN/CSA 22.2 No. 120.

### STANDARD FEATURES

- Sanitary, touchless activation with auto 20-second shut-off (Bottle Filler)
- Integrated Silver Ion Anti-Microbial Protection in key areas
- Quick Fill Rate: 1.1 gpm (EZWS(M)8); 1.5 gpm (EZWS(M)D)
- Laminar Flow provides minimal splash
- Real Drain System eliminates standing water
- Visual User Interface display includes:
  - Innovative Green Ticker™ counts bottles saved from waste
- Includes lower hinged panel for easy access and servicing

### COOLING SYSTEM (Model EZWS(M)8)

- Compressor: hermetically-sealed, reciprocating type, single phase. Sealed-in lifetime lubrication.
- Condenser: Fan cooled. Fan motor is permanently lubricated.
- Cooling Unit: Combination tube-tank type. Continuous copper tubing with stainless steel tank. Fully insulated with EPS foam which meets UL requirements for self-extinguishing material.
- Refrigerant Control: Refrigerant R134a is controlled by accurately calibrated capillary tube.
- Temperature Control: Enclosed adjustable thermostat is factory preset. Requires no adjustment other than for altitude requirements, Easily accessible by removing lower grille panel.



Model  
EZWS(M)8K







Model  
EZWS(M)DK



### CONSTRUCTION

- Stainless steel bottle filler construction with ABS plastic alcove
- Includes stainless steel lower panel. EZWS(M)8 models have louvered ventilating grille; EZWS(M)D models have solid panel.
- Furnished with MFWS100 wall mounting box constructed of galvanized steel. Mounting can be ordered separately for pre-install.

**Warranty:** 5 year limited warranty on the unit's refrigeration system. Electrical components and water system are warranted for 12 months from date of installation or 18 months from factory shipment, whichever date falls first.

CAPACITIES CHART									
Model	Voltage / Hertz	Chilling** Capacity	F.L. Amps	Rated Watts	Approx. Ship Wt.	ADA Compliant	UL399 and CAN/CSA 22.2 No. 120 Certified	NSF/ANSI 61 and 372 Certified	GreenSpec® Listed
EZWS(M)8K	115V / 60Hz	8.0 GPH	5.0	370	77 lbs.	•	•	•	•
EZWS(M)82K	220V / 50Hz	6.7 GPH	2.5	370	77 lbs.	•	•	•	•
EZWS(M)83K	220V / 60Hz	8.0 GPH	2.5	370	77 lbs.	•	•	•	•
EZWS(M)DK	115V / 60Hz	-	1.0	15	30 lbs.	•	•	•	•
EZWS(M)DJOK	220V / 50-60Hz	-	0.5	15	30 lbs.	•	•	•	•

\*\*Based on 80°F inlet water & 90°F ambient air temp for 50°F chilled drinking water.

*This specification describes an Elkay product with design, quality and functional benefits to the user. When making a comparison of other producer's offerings, be certain these features are not overlooked.*

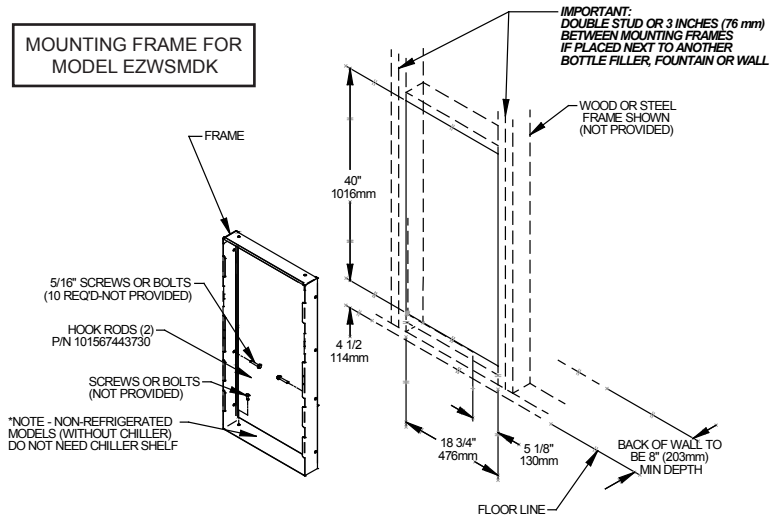
**EZH20® Bottle Filling Station**  
**In-Wall Recessed**  
**Model EZWS(M)8K & EZWS(M)DK**

**ELKAY®**  
**ROUGH-IN DIMENSIONS**

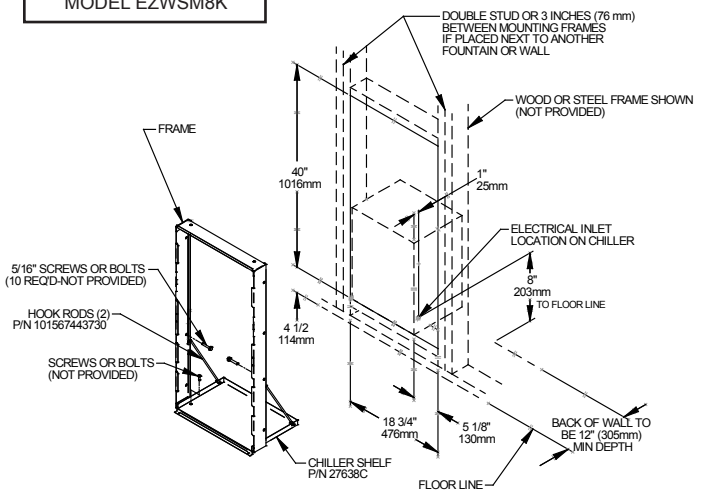
RATED FOR INDOOR USE ONLY

Job Name: \_\_\_\_\_  
 Model: \_\_\_\_\_ Qty. \_\_\_\_\_  
 Contact: \_\_\_\_\_  
 Approval Signature: \_\_\_\_\_  
 Notes: \_\_\_\_\_

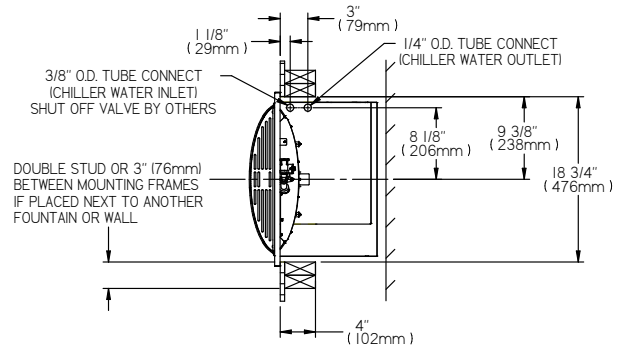
**MOUNTING FRAME FOR MODEL EZWSMDK**



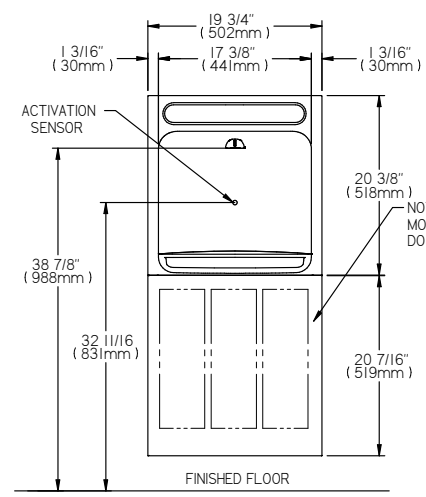
**MOUNTING FRAME FOR MODEL EZWSM8K**



**TOP & SIDE VIEWS**



**FRONT VIEW**



**WALL LAYOUT**

