

ELKAY With **FLEXI-GUARD** **INSTALLATION, CARE & USE MANUAL**

EWTLA Pressure Cooler *USES HFC-134A REFRIGERANT*

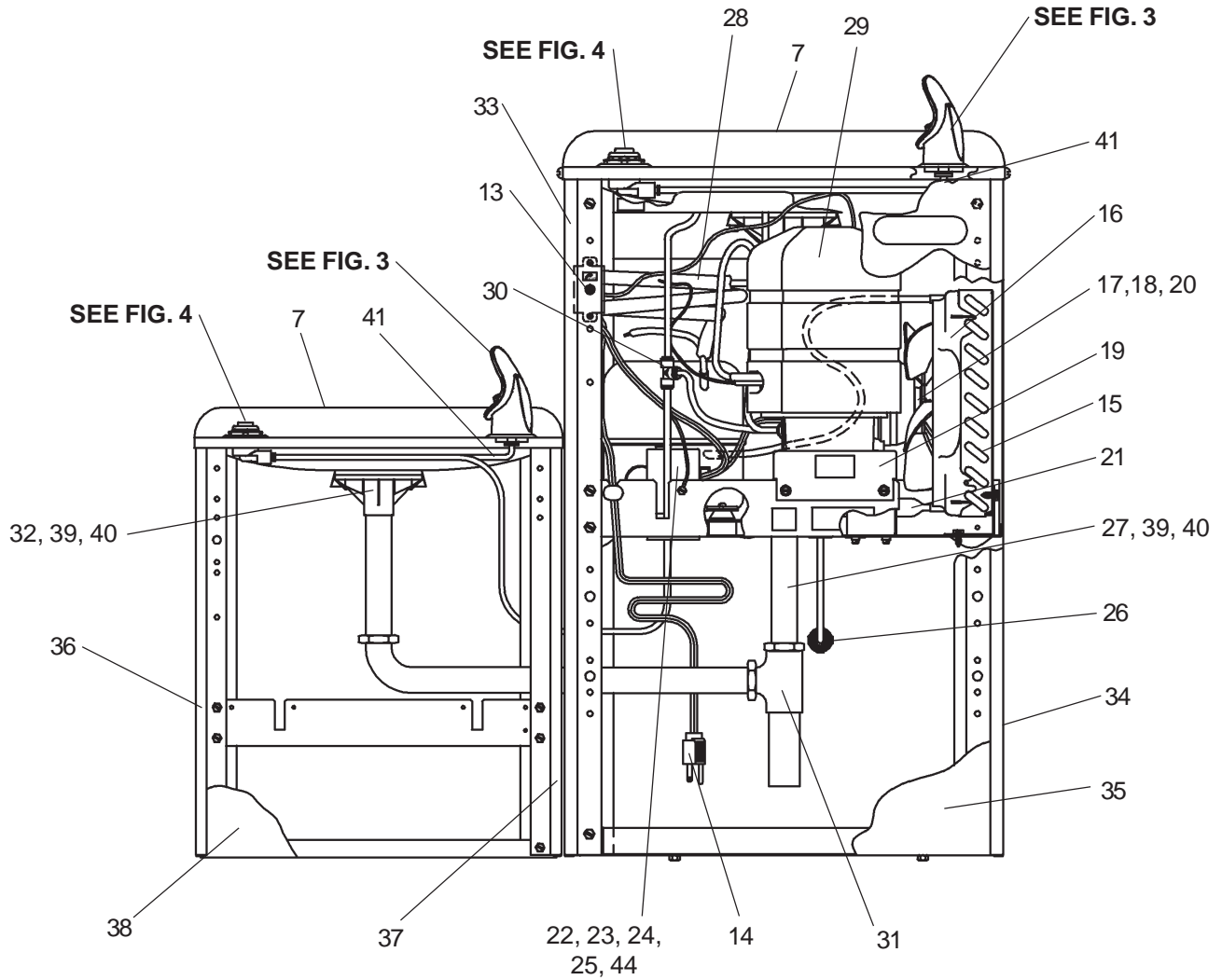


FIG. 1

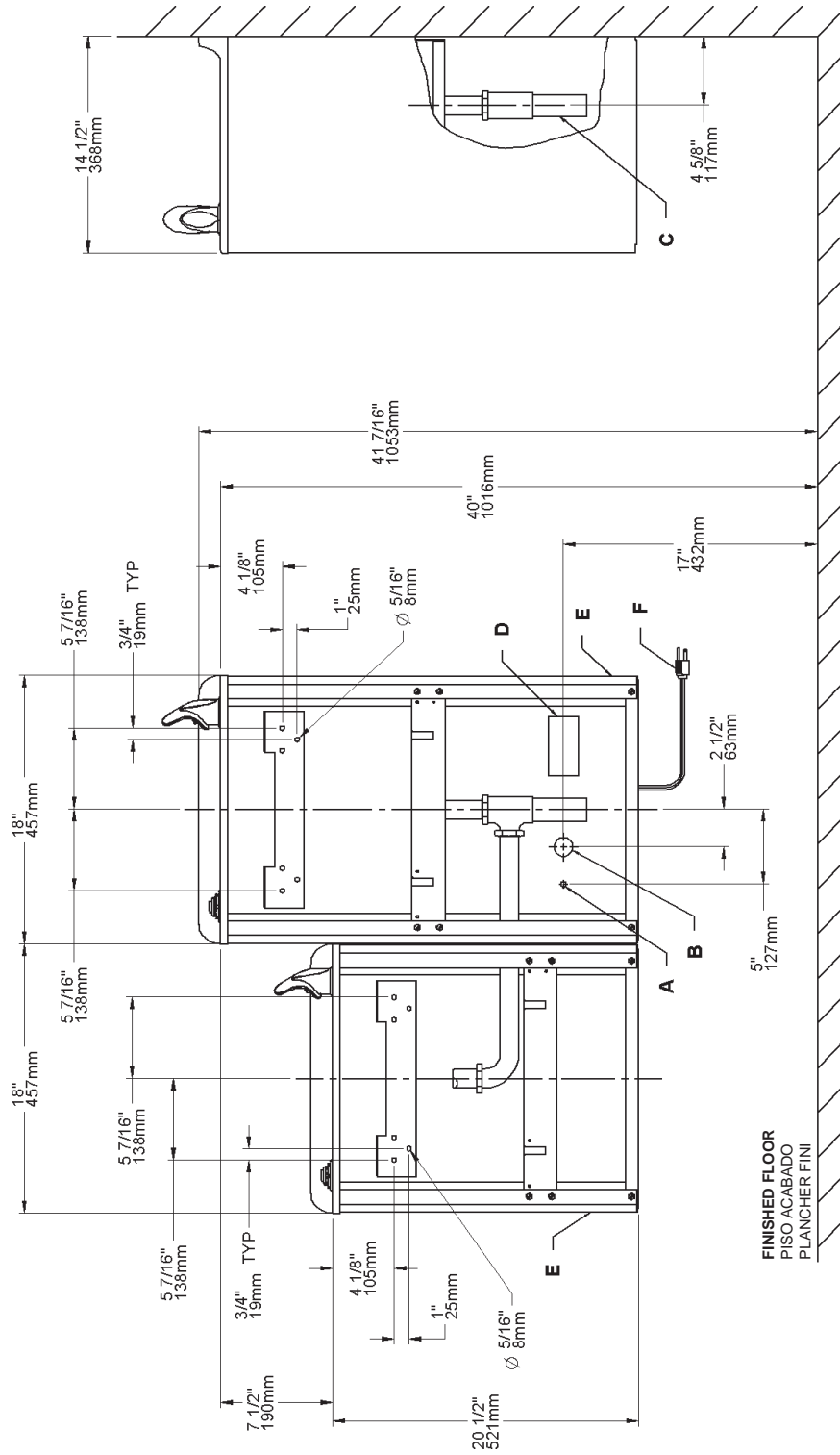


FIG. 2

LEGENDA/LEYENDA/LÉGENDE
A = RECOMMENDED WATER SUPPLY LOCATION 3/8 O.D. UNPLATED COPPER TUBE CONNECT STUB OUT 1-1/2 IN. (38mm)
FROM WALL SHUT OFF BY OTHERS
 SE RECOMIENDA UBICAR EL TUBO CORTO DE CONEXIÓN AL TUBO DE COBRE SIN CHAPAR DE 3/8" DE DIÁM. EXT. A 1-1/2" (38 mm) FUERA DE LA LLAVE DE PASO EN LA PARED COLOCADA POR TERCEROS.
 EMPLACEMENT RECOMMANDÉ D'ALIMENTATION EN EAU PAR TUBE EN CUIVRE NON PLAQUÉ DE 3/8 PO. (9.5 mm) D.E. CONNECTANT UNE TUYAUTERIE DE 1-1/2 PO. (38 mm) DEPUIS LE ROBINET D'ARRÊT FOURNI PAR D'AUTRES.

B = RECOMMENDED LOCATION FOR WASTE OUTLET 1-1/4" O.D. DRAIN
 UBICACIÓN RECOMENDADA PARA EL DRENAJE DE SALIDA DE AGUA, DE 1 1/4" DE DIÁMETRO.
 EMPLACEMENT RECOMMANDÉ POUR LE DRAIN DE D.E. 1-1/4" DE SORTIE D'EAU.
C = 1-1/4 TRAP NOT FURNISHED
 PURGADOR DE 1 1/4 NO PROPORCIONADO
 SIPHON 1-1/4 NON FOURNI

D = ELECTRICAL OUTLET LOCATION
 UBICACIÓN DE LA TOMA DE ELECTRICIDAD
 EMPLACEMENT DE LA PRISE DE COURANT

E = INSURE PROPER VENTILATION BY MAINTAINING 4" (102mm) (MIN.) CLEARANCE FROM CABINET LOUVERS TO WALL
 ASEGURE UNA VENTILACIÓN ADECUADA MANTENIENDO UN ESPACIO E 4" (102mm) (MÍN.) DE HOLGURA ENTRE LA REJILLA DE VENTILACIÓN DEL MUEBLE Y LA PARED
 ASSUREZ-VOUS UNE BONNE VENTILATION EN GARDANT 4" (102mm) (MIN.) ENTRE LES ÉVÉNENTS DE L'ENCEINTE ET LE MUR.

F = POWER CORD 4 FEET (1219mm) LONG
 CABLE ELÉCTRICO DE 4 PIE (1219mm), DE LARGO
 CORDON D'ALIMENTATION 4' (1219mm)

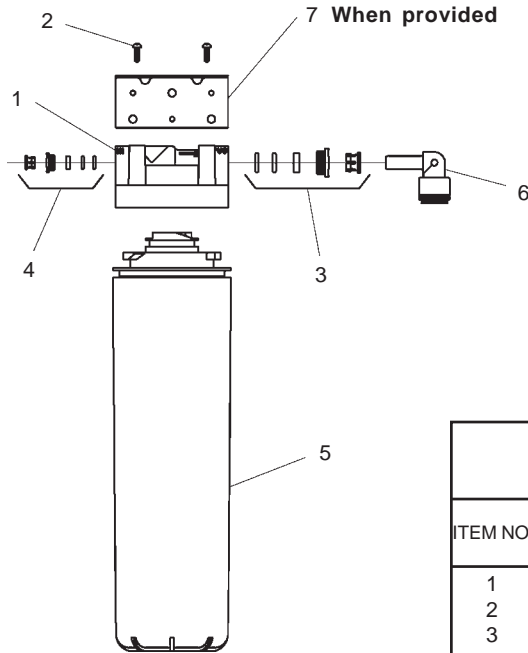
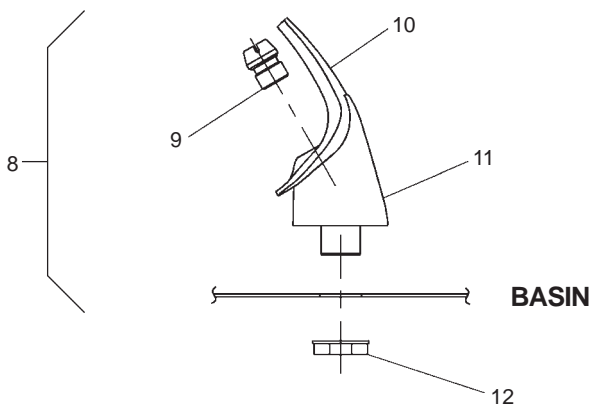


FIG. 5

WATERSENTRY® FILTER PARTS LIST		
ITEM NO.	PART NO.	DESCRIPTION
1	51294C	Filter Head Ass'y
2	70792C	Screw #8-18 X .75 PH
3	70823C	Fitting - Superseal 3/8" (10mm)
4	70822C	Fitting - Superseal 1/4" (6mm)
5	51299C	Filter Ass'y
6	70818C	Elbow - 3/8" (10mm)
7	22490C	Bracket



NOTE:
 WHEN INSTALLING REPLACEMENT BUBBLER
 AND PEDESTAL, TIGHTEN NUT (ITEM 12) ONLY
 TO HOLD PARTS SNUG IN POSITION.
 DO NOT OVER TIGHTEN.

FIG. 3

Stream height is factory set at 35 PSI. If supply pressure varies greatly from this, remove Items 1 & 2 and adjust screw on Item 4. Clockwise adjustment will raise stream and counter-clockwise adjustment will lower stream. For best adjustment, stream should hit basin approximately 6-1/2" (165mm) from bubbler.

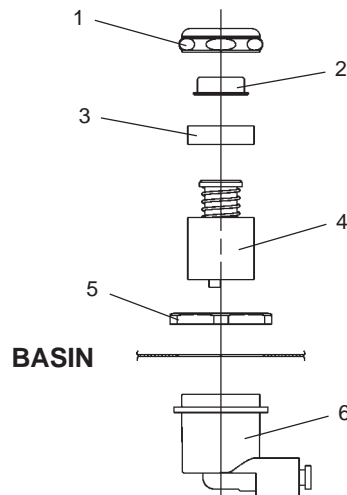


FIG. 4

**EWTLA8*1K EWTLA8K*1K EWTLA14*1G,*2GJO,*3GJO EWTLA14K*1G
EWTLA16*1G,*3GJO LWTLA14*1G,*3GJO LWTLA20*1G**

PARTS LIST 115V

220V/50Hz

ITEM NO.	PART NO.	DESCRIPTION
1	40089C	Cover
2	40048C	Button
3	15005C	Regulator Retaining Nut
4	61313C	Regulator
5	40169C	Hex Nut
6	50986C	Regulator Holder
7	20776C	Basin
	20713C	Basin (GF Only)
8	56073C	Bubbler Assy
9	40322C	Orifice Assy
10	56011C	Housing Assy
11	55997C	Pedestal
12	75580C	Bubbler Locknut
13	35839C	Cold Control
14	36208C	Power Cord (8 & 16 GPH)
	35888C	Power Cord (14 GPH)
15	66743C	Condenser (8 GPH)
	66432C	Condenser (14 & 20 GPH)
	66417C	Condenser (16 GPH)
16	56237C	Fan Shroud
	21516C	Fan Shroud (14, 16 & 20 GPH)
17	31490C	Fan Motor (8 GPH)
	31492C	Fan Motor (14 & 20 GPH)
	31491C	Fan Motor (16 GPH)
18	30664C	Fan Blade
19	27681C	Fan Bracket
20	70018C	Fan Blade Nut
21	66703C	Drier (8 GPH)
	66203C	Drier (14, 16 & 20 GPH)
*22	36094C	Compressor Serv. Pak (8 GPH)
	36312C	Compressor Serv. Pak (14 & 20 GPH)
	36316C	Compressor Serv. Pak (16 GPH)
23	36158C	Overload (8 GPH)
	35840C	Overload (14 & 20 GPH)
	36222C	Overload (16 GPH)
24	35768C	Relay Cover
25	35959C	Relay (8 GPH)
	35843C	Relay (14 & 20 GPH)
	36221C	Relay (16 GPH)
26	55996C	Strainer
27	45702C	Tailpipe Assy (8 GPH)
	45693C	Precooler (14 & 16 GPH)
28	66576C	Heat Exchanger (8 GPH)
	66445C	Heat Exchanger (14 & 20 GPH)
	66256C	Heat Exchanger (16 GPH)
29	66810C	Evaporator (8 GPH)
	66811C	Evaporator (14, 16 & 20 GPH)
30	70682C	Fitting - Tee
31	45876C	Waste Connection Assy
32	40088C	Assy - Tailpipe
33	See Color Table	Panel-Left Side (Right Unit)
34	See Color Table	Panel-Right Side (Right Unit)
35	See Color Table	Panel-Front (Right Unit)
36	See Color Table	Panel-Left Side (Left Unit)
37	See Color Table	Panel-Right Side (Left Unit)
38	See Color Table	Panel-Front (Left Unit)
39	50368C	Receptor - Drain
40	70750C	Clamp
41	56092C	Poly. Tubing (Cut to Length)
42	100322740560	Gasket (GF)
43	15009C	Nipple - Bubbler (GF)
44	35844C	Capacitor (14 & 20 GPH)
NS	75583C	Elbow - 5/16" x 1/4"
NS	22601C	Bottom Cover

ITEM NO.	PART. NO.	DESCRIPTION
14	36024C	Power Cord (14 GPH)
15	66417C	Condenser (14 GPH)
17	31430C	Fan Motor (14 GPH)
21	66202C	Drier (14 GPH)
*22	35764C	Compressor Serv. Pak (14 GPH)
23	36177C	Overload (14 GPH)
23	36178C	Relay (14 GPH)
24	36224C	Relay Cover (14 GPH)
28	66229C	Heat Exchanger (14 GPH)
29	66810C	Evaporator (14 GPH)
NS	35826C	Power Inlet (14 GPH)

230V/60Hz

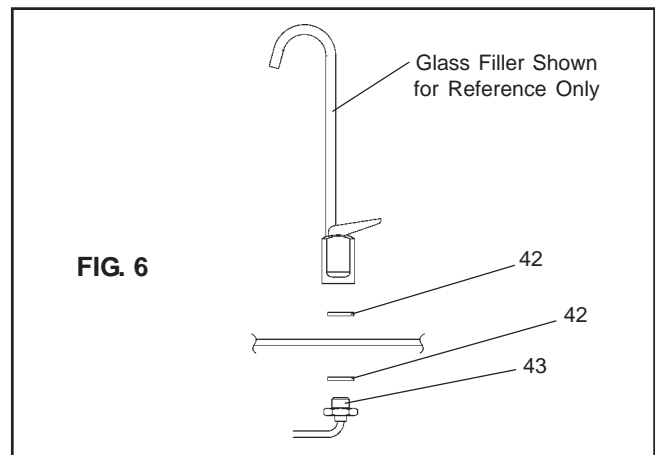
ITEM NO.	PART. NO.	DESCRIPTION
14	36024C	Power Cord (14 & 16 GPH)
15	66432C	Condenser (16 GPH)
17	31431C	Fan Motor (14 & 16 GPH)
*22	35856C	Compressor Serv. Pak (14 & 16 GPH)
23	35953C	Overload (14 & 16 GPH)
23	35954C	Relay (14 & 16 GPH)
28	66445C	Heat Exchanger (16 GPH)
NS	35955C	Capacitor (14 & 16 GPH)
NS	35826C	Power Inlet (14 & 16 GPH)

COLOR TABLE

PANEL COLOR	Item No. 33 Part No.	Item No. 34 Part No.	Item No. 35 Part No.
Gray Beige	20732C	20639C	20675C
Almond	21477C	21465C	20676C
Stainless Stl	20733C	20641C	20672C
Sandalwood	21476C	21463C	21454C
Granite	27186C	27174C	27150C
Light Gray	27187C	27175C	27154C

COLOR TABLE

PANEL COLOR	Item No. 36 Part No.	Item No. 37 Part No.	Item No. 38 Part No.
Gray Beige	20646C	20736C	20684C
Almond	21468C	21479C	20685C
Stainless Stl	20648C	20737C	20681C
Sandalwood	21466C	21478C	21456C
Granite	27177C	27189C	27153C
Light Gray	27178C	27190C	21455C



*INCLUDES RELAY & OVERLOAD. IF UNDER WARRANTY, REPLACE WITH SAME COMPRESSOR USED IN ORIGINAL ASSEMBLY.

NOTE: All correspondence pertaining to any of the above water coolers or orders for repair parts MUST include Model No. and Serial No. of cooler, name and part number of replacement part.

PRINTED IN U.S.A.

REPAIR SERVICE INFORMATION TOLL FREE NUMBER 1.800.260.6640
FOR PARTS, CONTACT YOUR LOCAL DISTRIBUTOR OR CALL 1.800.323.0620

ELKAY MANUFACTURING COMPANY • 2222 CAMDEN COURT • OAK BROOK, IL 60523 • 630.574.8484