

SPECIFICATIONS

GENERAL

Pedestal fountain and bottle filler with textured powder coat finish and E-Coat immersion for year-round beauty with minimum maintenance. The E-Coat immersion process coats the outside and inside of the unit for the ultimate in corrosion protection. Contour-formed stainless steel basin on the fountain, with rounded corners and edges reducing splatter, insuring proper drainage and prevents standing waste water.

Configuration options:

- Single bottle filler in upper location with drinking fountain basin at lower position (Model LK4420BF1UFRK)
- Single bottle filler in lower location with drinking fountain basin at upper position (Model LK4420BF1LFRK)
- Dual bottle fillers (Model LK4420BF2FRK)

NO LEAD DESIGN

This fountain is certified by WQA to lead-free compliance including NSF/ANSI 61 and 372. This model complies with the lead-free definition in the Safe Drinking Water Act of 1986 and Lead Contamination Act of 1988.

CONSTRUCTION

Bottle Filler: Heavy-duty steel construction with rounded design. Laminar flow minimizes splash and allows easy maintenance. Quick fill rate at 1 gallon per minute.

Bubbler (Fountain): Vandal-resistant bubbler is one piece, heavy-duty with integral hood guard designed to prevent contamination from other users, airborne deposits and tampering.

Freeze-Resistant Valve System: Designed for ground installation 18" below the frost line. 60" of access tubing provided. The length of tubing can be adjusted in the field for lesser frost depths.

Pushbutton Actuation Mechanism: Self-closing, vandal-resistant pushbuttons do not require grasping or twisting.

Access Panel: Manufactured of heavy-gauge steel with vandal-resistant screws. Provides access for easy hook-up of all plumbing connections.



This model is ADA compliant when properly installed.

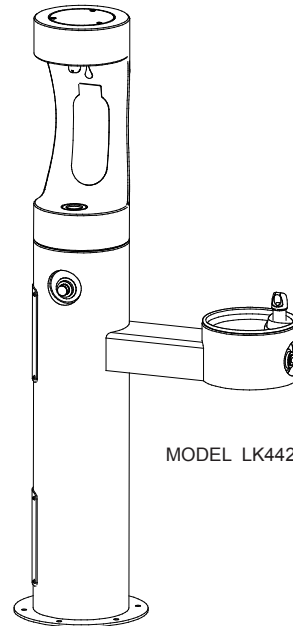
Designed to be easily accessible to both physically challenged and able-bodied individuals. Ideally suited for installation in public areas. Model meets state and federal requirements as defined by the Americans with Disabilities Act.

SUGGESTED SPECIFICATIONS

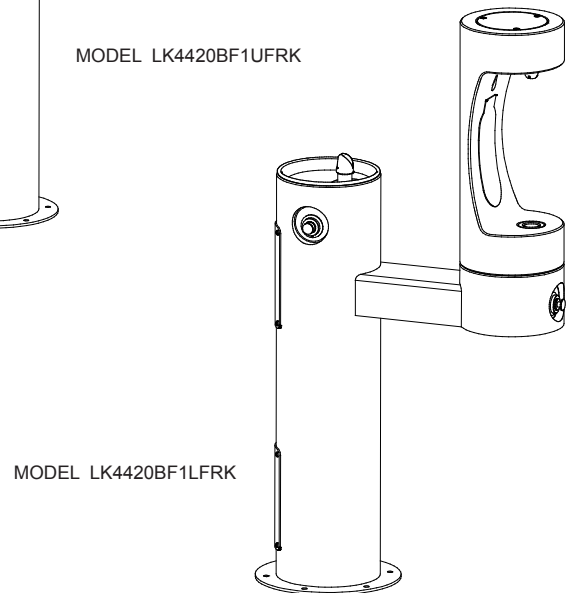
Unit shall be of tubular steel construction. Bottle Filler unit shall include laminar flow and front pushbutton activation. Fountain shall include stainless steel contoured basin with vandal-resistant one-piece bubbler. Powder-coated finish. Shall include freeze-resistant valve system. Shall comply with ADA guidelines and be certified to lead-free compliance including NSF/ANSI 61 and 372 and the Safe Drinking Water Act.

Shipping Weight: 224 - 274 lbs.

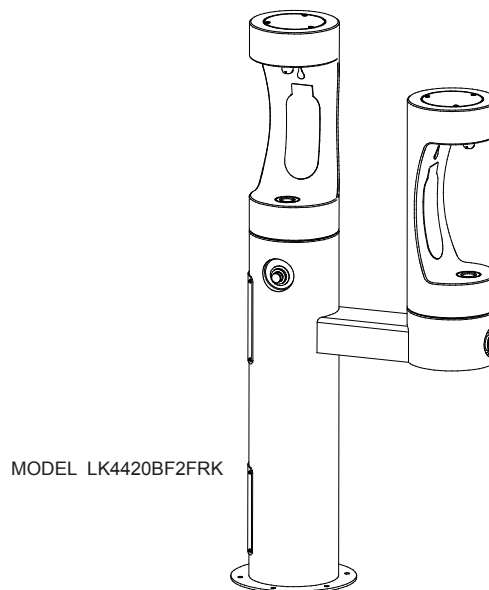
In keeping with our policy of continuing product improvement, Elkay reserves the right to change specification without notice.



MODEL LK4420BF1UFRK



MODEL LK4420BF1LFRK



MODEL LK4420BF2FRK

This specification describes an Elkay product with design, quality and functional benefits to the user. When making a comparison of other producers' offerings, be certain these features are not overlooked.

Bi-Level Outdoor Tubular Freeze-Resistant Fountain and Bottle Filling Station Model LK4420BF1UFRK

ELKAY® ROUGH-IN DIMENSIONS

MOUNTING INSTRUCTIONS and PLUMBING INSTRUCTIONS

Site and drainage excavation is required for fountain installation. Refer to owner's manual for site preparation details. Provide solid, well-drained surface to mount pedestal fountain (concrete pad recommended). (6) 1/2" anchor bolts (not included) should be attached securely to mounting surface in order to secure fountain, (Refer to rough-in diagram), and be sure to allow an opening for the freeze-resistant valve in the ground as shown in the installation instructions that accompany the fountain, (Refer to page 4 for freeze resistant valve installation). Refer to local codes for any additional requirements.

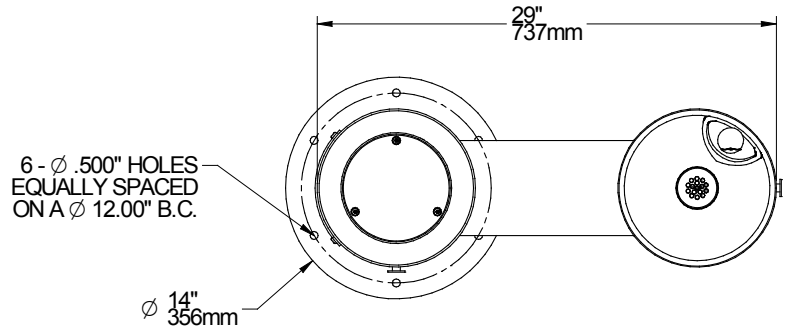
Locate and install plumbing through ground as required. Assemble fountain to prepared site and mounting pad.

NOTE: Fountain is not furnished with service valve.

Position pedestal over plumbing and secure base to anchor bolts. Remove access panels and connect supply and water lines. Turn on water supply and check for leaks. Refer to owner's manual for detailed instructions.

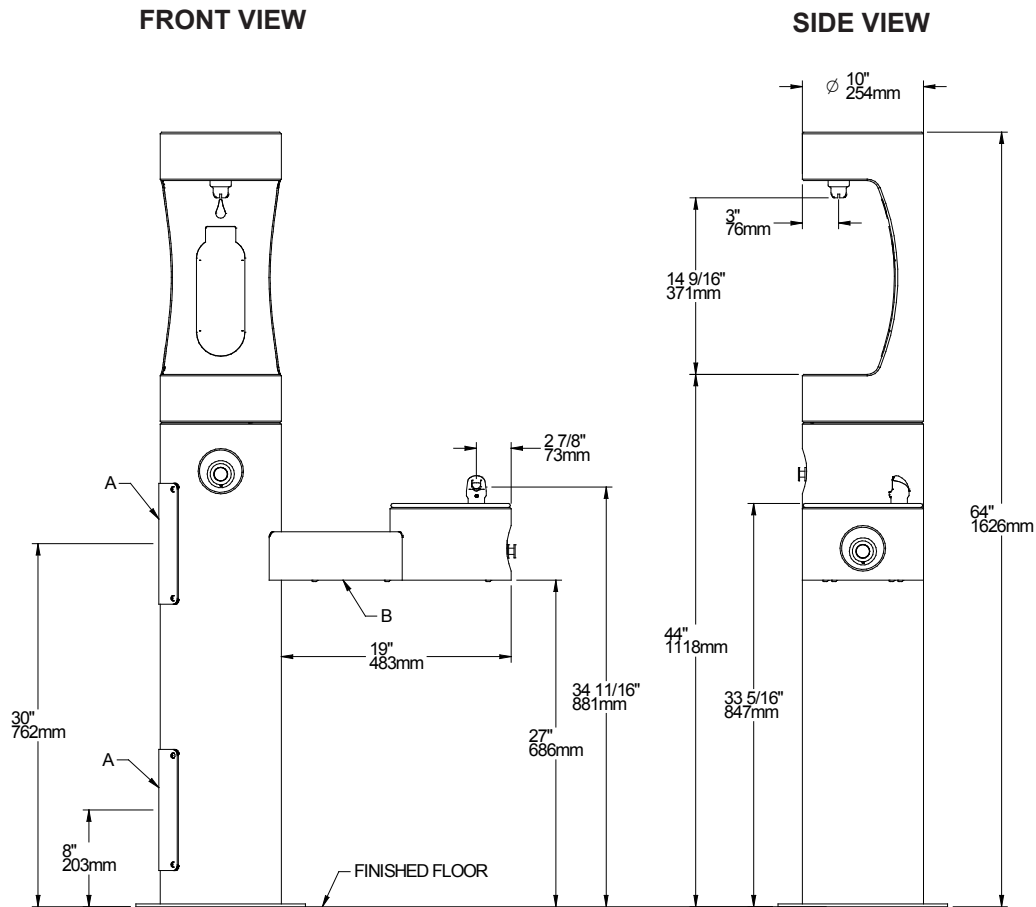
Reassemble access panels to pedestal. Trap and service stop not included.

Operating Pressures: Supply water 105 psi maximum.



**REFER TO PAGE 4 FOR
FREEZE RESISTANT VALVE INSTALLATION**

MODEL LK4420BF1UFRK SHOWN



LEGEND

- A = ACCESS PANEL (8" X 10")
- B = REMOVABLE BOTTOM COVER

Bi-Level Outdoor Tubular Freeze-Resistant Fountain and Bottle Filling Station Model LK4420BF1LFRK

ELKAY® ROUGH-IN DIMENSIONS

MOUNTING INSTRUCTIONS and PLUMBING INSTRUCTIONS

Site and drainage excavation is required for fountain installation. Refer to owner's manual for site preparation details. Provide solid, well-drained surface to mount pedestal fountain (concrete pad recommended). (6) 1/2" anchor bolts (not included) should be attached securely to mounting surface in order to secure fountain, (Refer to rough-in diagram), and be sure to allow an opening for the freeze-resistant valve in the ground as shown in the installation instructions that accompany the fountain, (Refer to page 4 for freeze resistant valve installation). Refer to local codes for any additional requirements.

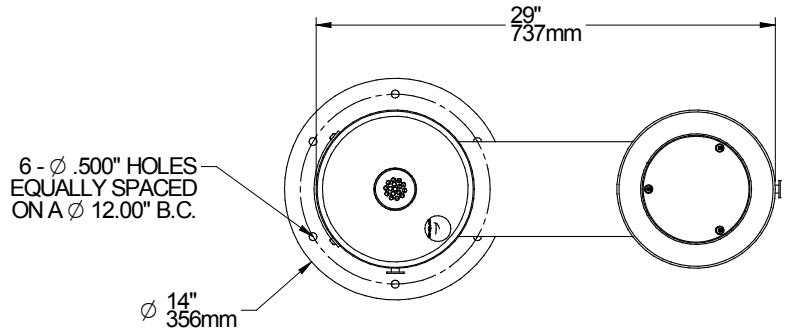
Locate and install plumbing through ground as required. Assemble fountain to prepared site and mounting pad.

NOTE: Fountain is not furnished with service valve.

Position pedestal over plumbing and secure base to anchor bolts. Remove access panels and connect supply and water lines. Turn on water supply and check for leaks. Refer to owner's manual for detailed instructions.

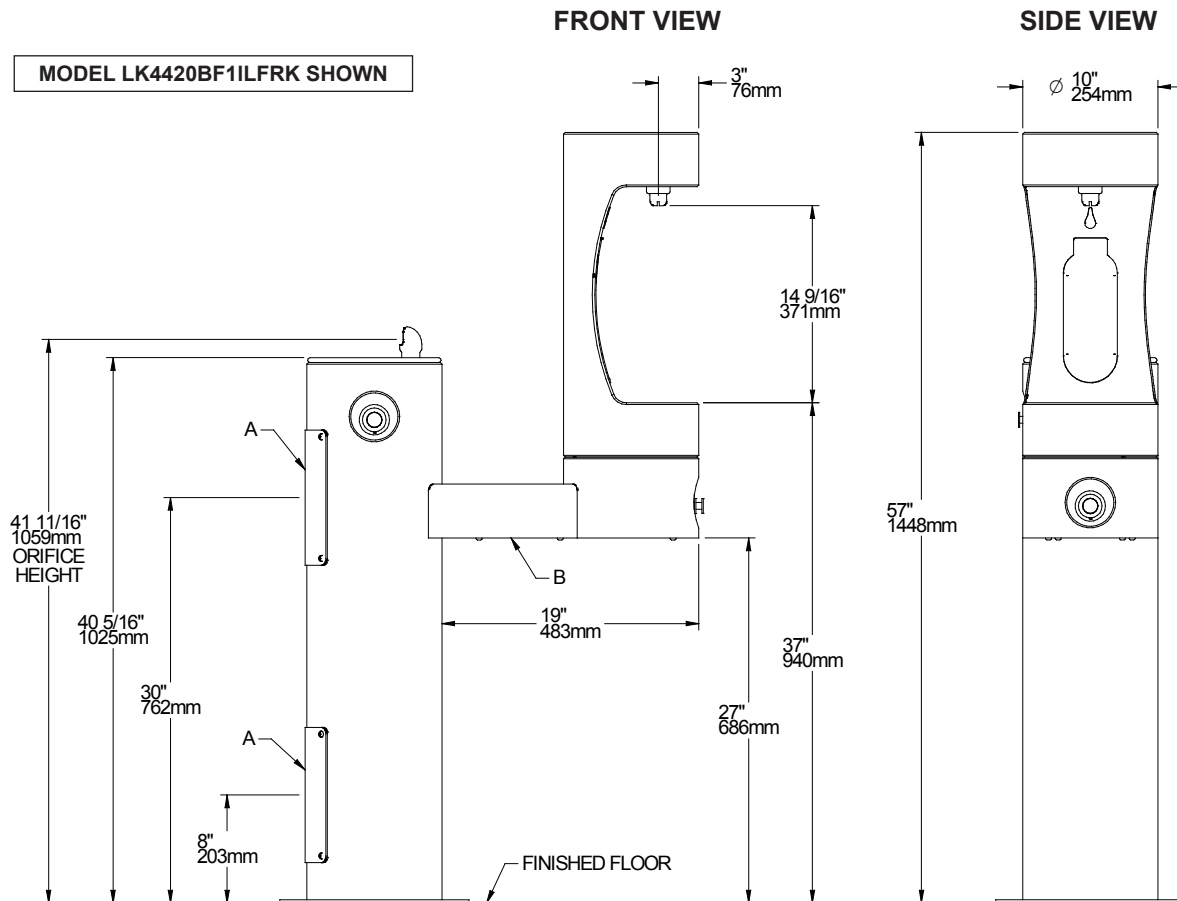
Reassemble access panels to pedestal. Trap and service stop not included.

Operating Pressures: Supply water 105 psi maximum.



**REFER TO PAGE 4 FOR
FREEZE RESISTANT VALVE INSTALLATION**

MODEL LK4420BF1LFRK SHOWN



LEGEND
A = ACCESS PANEL (8" X 10")
B = REMOVABLE BOTTOM COVER

Bi-Level Outdoor Tubular Freeze-Resistant Fountain and Bottle Filling Station Model LK4420BF2FRK

ELKAY® ROUGH-IN DIMENSIONS

MOUNTING INSTRUCTIONS and PLUMBING INSTRUCTIONS

Site and drainage excavation is required for fountain installation. Refer to owner's manual for site preparation details. Provide solid, well-drained surface to mount pedestal fountain (concrete pad recommended). (6) 1/2" anchor bolts (not included) should be attached securely to mounting surface in order to secure fountain. (Refer to rough-in diagram), and be sure to allow an opening for the freeze-resistant valve in the ground as shown in the installation instructions that accompany the fountain. (Refer to the rough-in diagram below). Refer to local codes for any additional requirements.

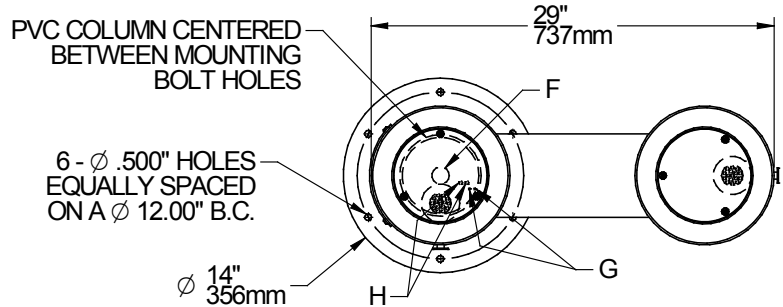
Locate and install plumbing through ground as required. Assemble fountain to prepared site and mounting pad.

NOTE: Fountain is not furnished with service valve.

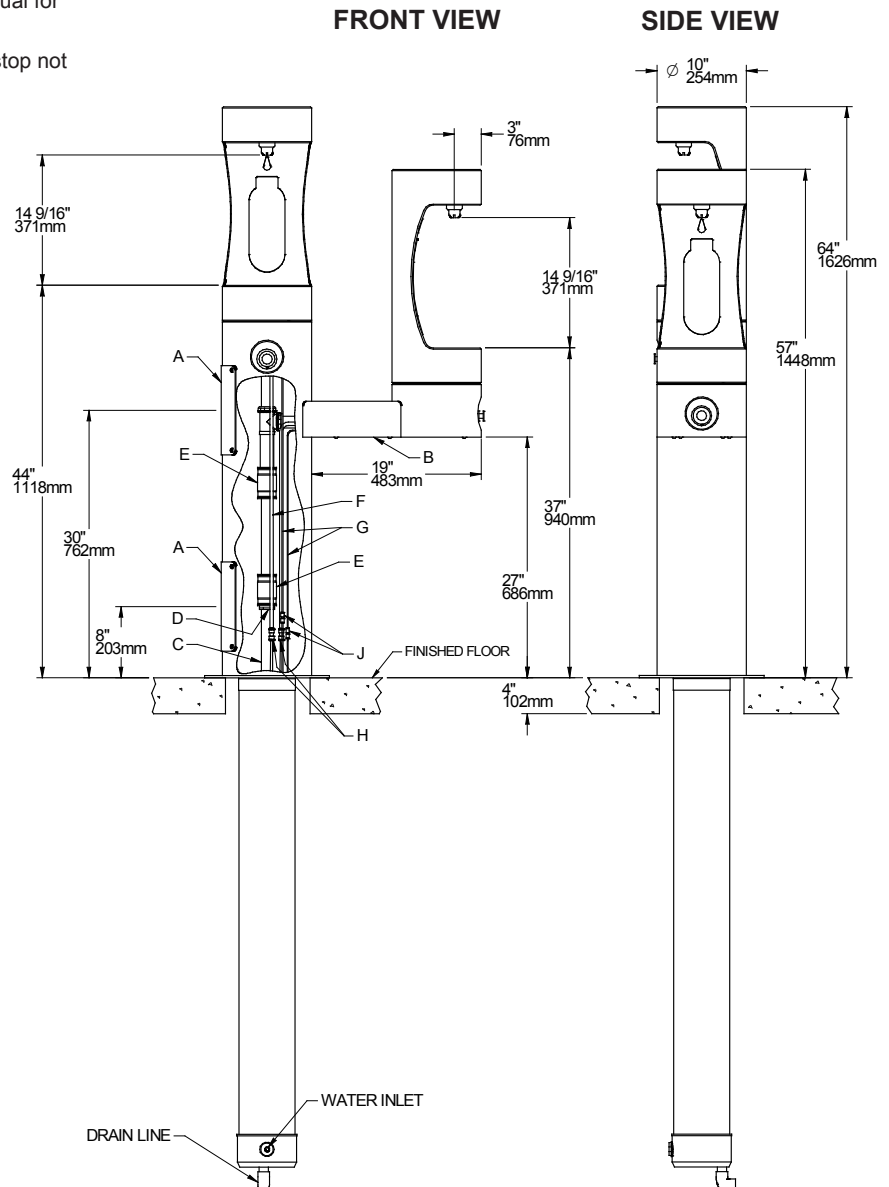
Position pedestal over plumbing and secure base to anchor bolts. Remove access panels and connect supply and water lines. Turn on water supply and check for leaks. Refer to owner's manual for detailed instructions.

Reassemble access panels to pedestal. Trap and service stop not included.

Operating Pressures: Supply water 105 psi maximum.



MODEL LK4420BF2FRK SHOWN



LEGEND

- A = ACCESS PANEL (8" X 10")
- B = REMOVABLE BOTTOM COVER
- C = 1" PVC DRAIN
- D = PRESSURE FITTING 1-1/4" x 3/4"
- E = CONNECTOR 1-1/4" to 1-1/4"
- F = 1-1/4" DRAIN TUBE
- G = AIR CONTROL LINE
- H = 1/4" WATER LINE
- J = CONNECTOR FOR AIR CONTROL LINE