



# SPECIFICATIONS

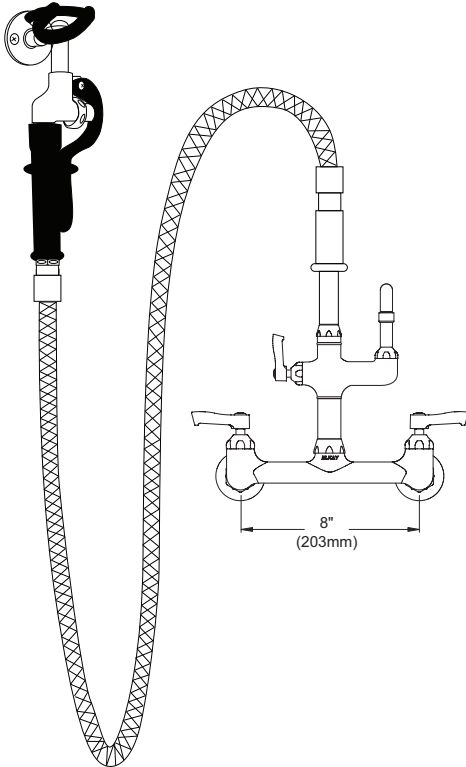
## Wall Mount Pre-Rinse Commercial Faucet Model LK960AF08C

**FEATURES**

- Two hole dual handle wall mount faucet
- Quarter turn ceramic disc cartridge
- 1/2" adjustable inlets
- 60" flex hose
- 3.2 GPM spray valve
- Solid brass construction
- Chrome finish
- Includes spout swing restriction pin

**COMPLIES WITH:**

- ASME/ANSI A112.18.1
- CSA B125-01
- NSF/ANSI 61 Annex G
- ADA
- UPC/CUPC
- IAPMO Listed
- Certified AB1953



FRONT VIEW

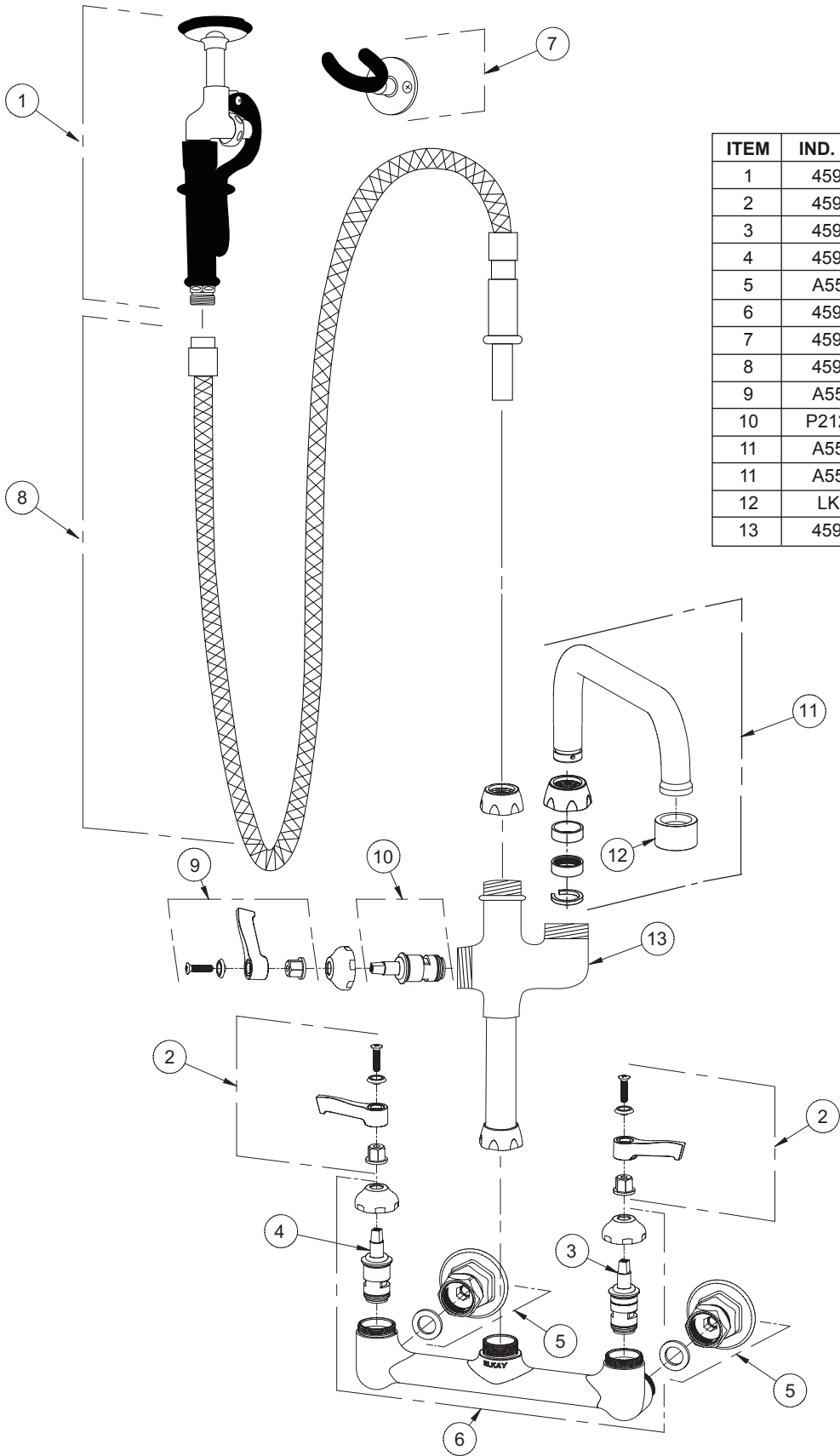
Job Name:	Item #:
Notes:	
Architect/Engineer Approval:	Date:

SEE OTHER SIDE FOR REPLACEMENT PARTS



# REPLACEMENT PARTS

## Wall Mount Pre-Rinse Commercial Faucet Model LK960AF08C



ITEM	IND. PART	DESCRIPTION
1	45942C	3.2 GPM Spray Valve
2	45918C	Handle, 2"
3	45923C	Right Cold Cartridge
4	45924C	Left Hot Cartridge
5	A55414	1/2" Offset Shutoff
6	45912C	Body
7	45936C	Wall Mount
8	45935C	60" Hose
9	A55385	Handle, 2"
10	P2121NL	Cartridge
11	A55393	Spout, 8"
11	A55395	Spout, 10"
12	LK734	2.2 GPM VR Aerator
13	45934C	Add On Faucet Body