

## FEATURES

### Model LK940BR07L2S

- Two hole dual handle wall mount faucet
- Quarter turn ceramic disc cartridge
- 1/2" adjustable inlets with integral stops
- Solid brass construction
- Chrome finish
- Includes spout swing restriction pin

### Model LK940BR07T4S

- Same as LK940BR07L2S except with 4" wrist blades handles

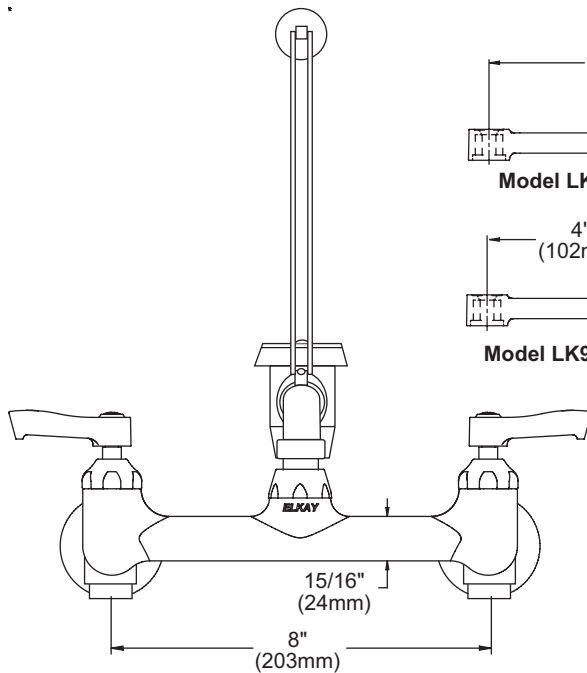
### Model LK940BR07T6S

- Same as LK940BR07L2S except with 6" wrist blades handles

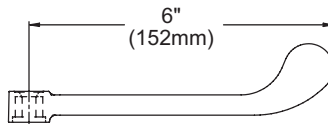
## COMPLIES WITH:

- ASME/ANSI A112.18.1
- CSA B125-01
- NSF/ANSI 61 Annex G
- ADA
- UPC/CUPC
- IAPMO Listed
- Certified AB1953

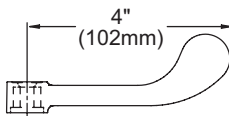
## Wall Mount 8" Center Commercial Faucet Models LK940BR07L2S, LK940BR07T4S, LK940BR07T6S



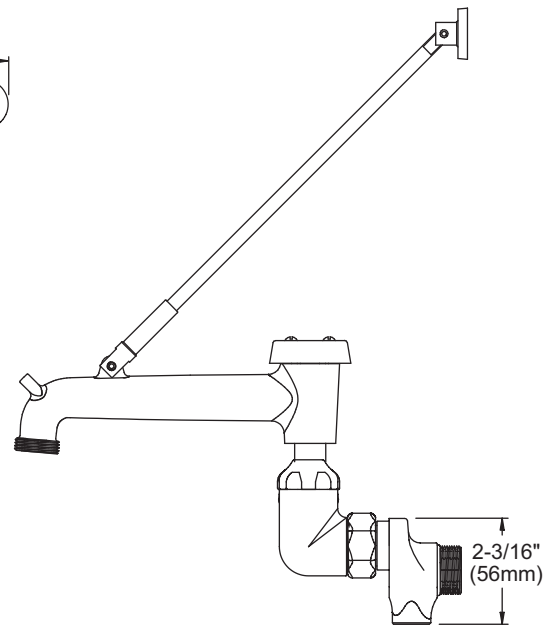
Model LK940BR07L2S  
FRONT VIEW



Model LK940BR07T6S



Model LK940BR07T4S



SIDE VIEW

Job Name:

Item #:

Notes:

Architect/Engineer Approval:

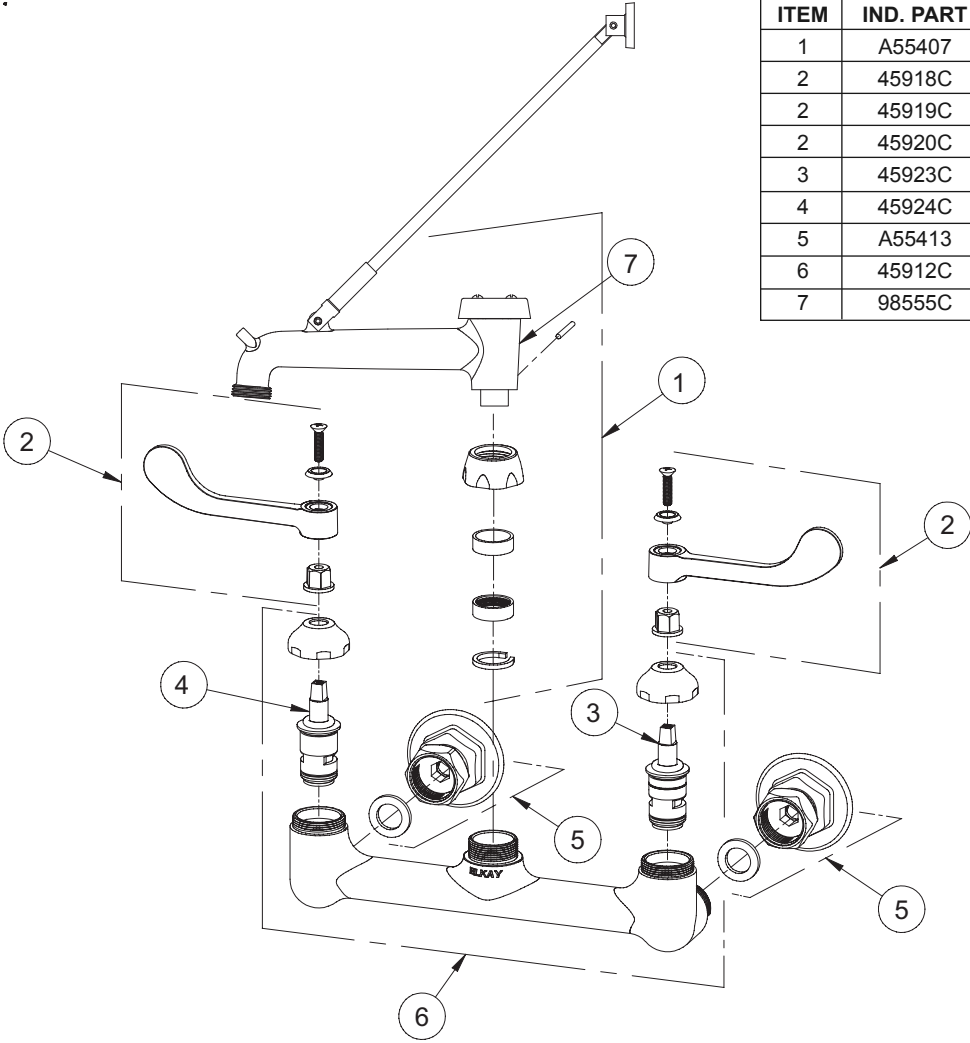
Date:

SEE OTHER SIDE FOR REPLACEMENT PARTS



# REPLACEMENT PARTS

## Wall Mount 8" Center Commercial Faucet Models LK940BR07L2S, LK940BR07T4S, LK940BR07T6S



| ITEM | IND. PART | DESCRIPTION          |
|------|-----------|----------------------|
| 1    | A55407    | Spout                |
| 2    | 45918C    | Handle, 2"           |
| 2    | 45919C    | Handle, 4"           |
| 2    | 45920C    | Handle, 6"           |
| 3    | 45923C    | Right Cold Cartridge |
| 4    | 45924C    | Left Hot Cartridge   |
| 5    | A55413    | 2" Adjustable Inlet  |
| 6    | 45912C    | Body                 |
| 7    | 98555C    | V.B. Repair Kit      |