

**PRODUCT SPECIFICATIONS**

Pacemaker® Stainless Steel Single Bowl Top Mount Quick-Clip® Sink + Faucet Kit. Overall dimensions are 25" x 17" x 7-1/8". Sink is manufactured from 20 gauge 304 Stainless Steel with a Brilliant Satin finish, Center drain placement and Full spray sides and bottom.

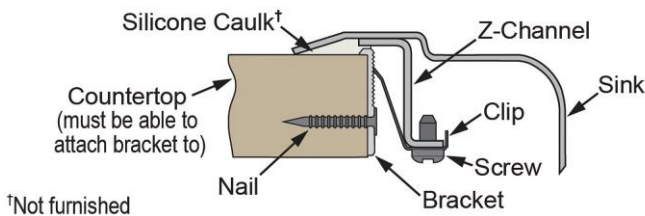
<b>Installation Type:</b>	Top Mount
<b>Material:</b>	304 Stainless Steel
<b>Special Features:</b>	Quick-Clip Mounting System
<b>Finish:</b>	Brilliant Satin
<b>Gauge:</b>	20
<b>Sound Deadening:</b>	Full spray sides and bottom
<b>Number of Bowls:</b>	1
<b>Sink Dimensions:</b>	25" x 17" x 7-1/8"
<b>Bowl 1 Dimensions:</b>	16" x 13-1/2" x 7"
<b>Drain Size:</b>	3-1/2" (89mm)
<b>Drain Location:</b>	Center
<b>Minimum Cabinet Size:</b>	30"
<b>Mounting Hardware:</b>	Included for 3/4" (19mm) countertop
<b>Cutout Template #:</b>	<a href="#">1000001246</a>

Template is available for download at [elkay.com](#)

**Cutout Dimensions for Top Mount Installation:**

24-3/8" x 16-3/8" (619mm x 416mm) with 1-1/2" (38mm) corner radius

**Installation Profile:**



**OPTIONAL ACCESSORIES**

<b>Sinkmate:</b>	LKSM17, LKSMHOOK, LKSMSPONGE, LKSMHSL
------------------	--



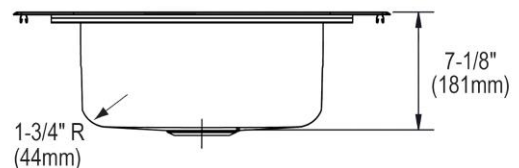
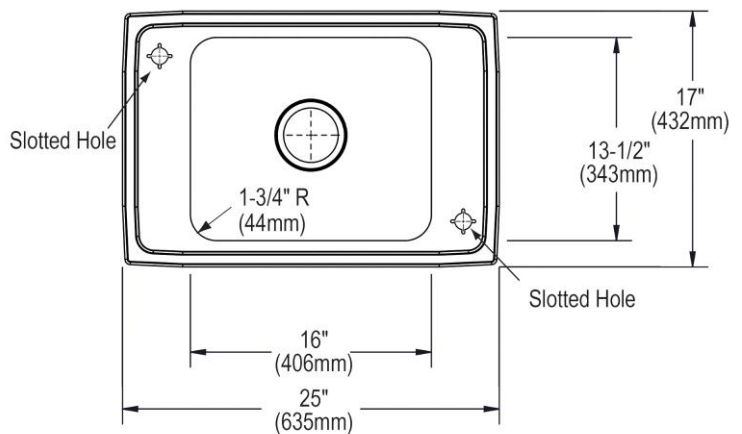
**Included with Product:** LKDVR208513LC faucet,  
LKVR18 drain,  
LKVR1141A bubblers

AMERICAN PRIDE. A LIFETIME TRADITION.  
Like your family, the Elkay family has values and traditions that endure. For almost a century, Elkay has been a family-owned and operated company, providing thousands of jobs that support our families and communities.

**Product Compliance:** ASME A112.19.3/CSA B45.4  
Faucet: ASME A112.18.1/CSA B125.1  
NSF 372 (lead free)  
NSF 61  
Accessory: ASME A112.18.2/CSA B125.2

[Clean and Care Manual \(PDF\)](#)  
[Installation Instructions \(PDF\)](#)  
[Limited Lifetime Warranty \(PDF\)](#)

**Similar models are available with:** U Channel mounting system  
1-1/8" (29mm) Diameter Slotted Holes (2 Places)



PART: \_\_\_\_\_ QTY: \_\_\_\_\_  
PROJECT: \_\_\_\_\_  
CONTACT: \_\_\_\_\_  
DATE: \_\_\_\_\_  
NOTES: \_\_\_\_\_  
APPROVAL: \_\_\_\_\_

In keeping with our policy of continuing product improvement, Elkay reserves the right to change product specifications without notice. Please visit [elkay.com](#) for the most current version of Elkay product specification sheets. This specification describes an Elkay product with design, quality, and functional benefits to the user. When making a comparison of other producers' offerings, be certain these features are not overlooked.