

**Surgical Scrub Sink, Three Station, Wall Mounted,
Knee Operated Water Valve, User Adjustable
Water Temperature Valve, With/Without Knee
Operated Soap Pump
Models EWSF39026KWSC and EWSF39026KWC**



SPECIFICATIONS

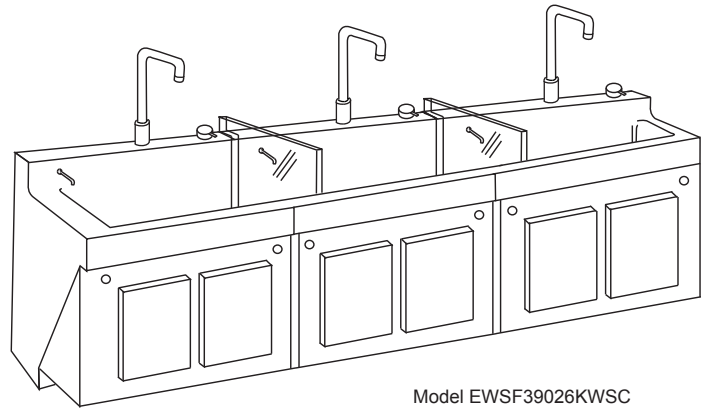
GENERAL

#18 and #16 gauge, type 304 (18/8), stainless steel triple station scrub sink with knee operated water valve, user adjustable water temperature valve, spout, coved corners, latched front panel, wall hanger, full length backsplash, full enclosure, with or without knee operated soap dispenser. Exposed surfaces are polished to a satin finish. Underside is sound deadened.

FURNISHED COMPLETE WITH:

SUPPLY: (3) Chrome brass construction, 8" reach spout with adjustable swivel spray head and connection hoses for thermostatic valve to water valve and water valve to spout.

DRAIN: (3) **LK18B** Stainless steel perforated strainer grid, drain with 1-1/2" (38 mm) O.D. x 4" (102mm) stainless steel tailpiece.



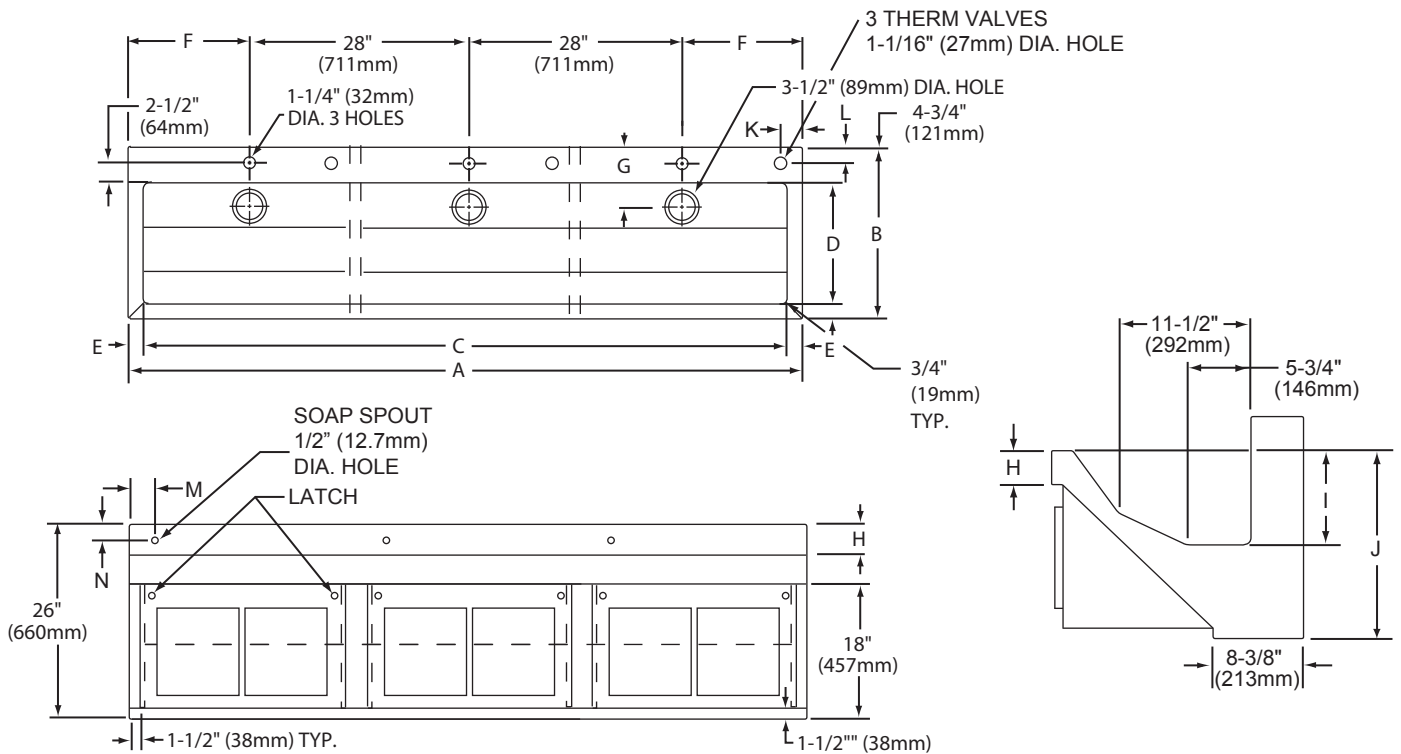
Model EWSF39026KWSC

EWSF39026KWSC - Model includes knee activated water and soap pump.

EWSF39026KWC - Model includes knee activated water ONLY.

DIMENSIONS

Model Number	A	B	C	D	E	F	G	H	I	J	L	K	M	N
EWSF39026KWC	90 (2286mm)	23 (584mm)	26 (260mm)	16-1/4 (413mm)	2 (51mm)	15 (381mm)	8-1/8 (206mm)	4 (102mm)	11 (279mm)	22 (559mm)	2-3/8 (60mm)	7-1/2 (190mm)	-	-
EWSF39026KWSC	90 (2286mm)	23 (584mm)	26 (260mm)	16-1/4 (413mm)	2 (51mm)	15 (381mm)	8-1/8 (206mm)	4 (102mm)	11 (279mm)	22 (559mm)	2-3/8 (60mm)	7-1/2 (190mm)	4 (101mm)	1 (25.4mm)



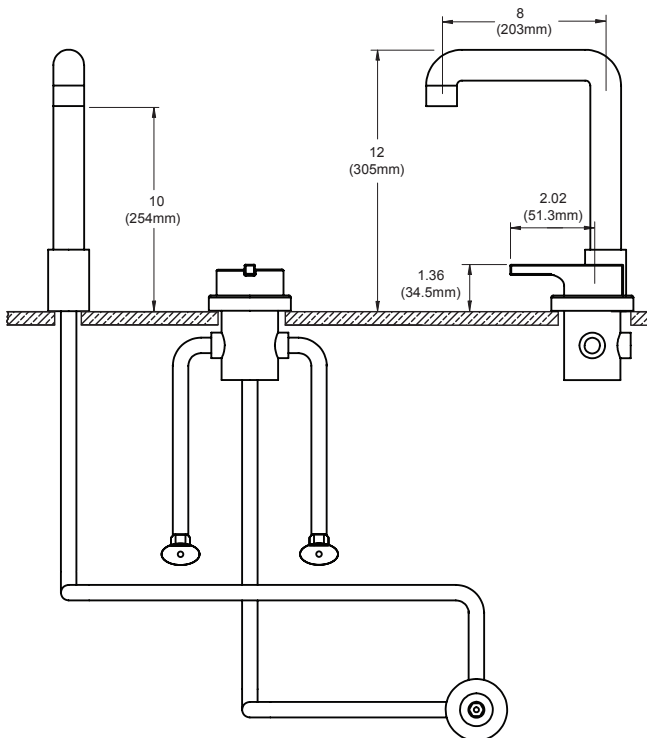
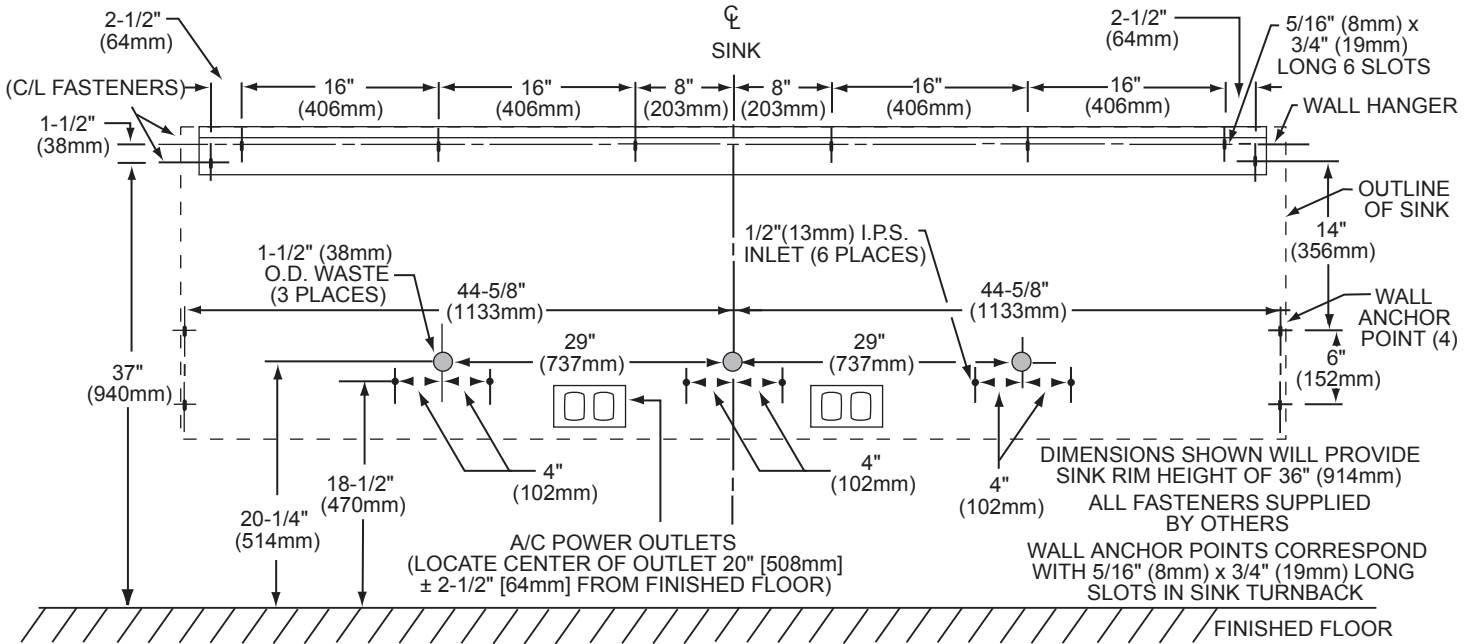
In keeping with our policy of continuing product improvement, Elkay reserves the right to change product specifications without notice. Please visit elkayusa.com for most current version of Elkay product specification sheets.

This specification describes an Elkay product with design, quality and functional benefits to the user. When making a comparison of other producers' offerings, be certain these features are not overlooked.

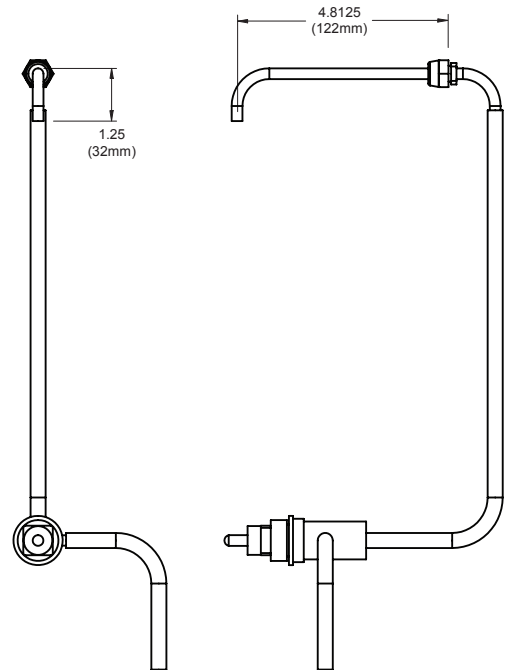
**Surgical Scrub Sink, Three Station, Wall Mounted,
Knee Operated Water Valve, User Adjustable
Water Temperature Valve, With/Without Knee
Operated Soap Pump
Models EWSF39026KWSC and EWSF39026KWC**

ELKAY®

ROUGH-IN DIMENSIONS



FAUCET AND TEMPERATURE HANDLE



SOAP SPOUT