

**Surgical Scrub Sink, Single Station, Wall Mounted,  
Knee Operated Water Valve, User Adjustable  
Water Temperature Valve, With/Without Knee  
Operated Soap Pump  
Models EWSF13026KWSC and EWSF13026KWC**



**SPECIFICATIONS**

**GENERAL**

#18 and #16 gauge, type 304 (18/8), stainless steel single station scrub sink with knee operated water valve, user adjustable water temperature valve, spout, coved corners, latched front panel, wall hanger, full length backsplash, full enclosure, with or without knee operated soap dispenser. Exposed surfaces are polished to a satin finish. Underside is sound deadened.

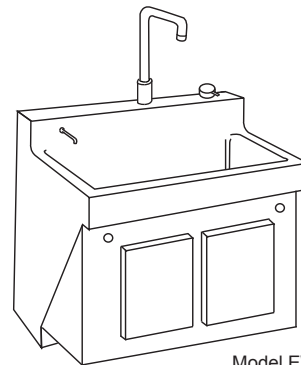
**FURNISHED COMPLETE WITH:**

**SUPPLY:** Chrome brass construction, 8" reach spout with adjustable swivel spray head and connection hoses for thermostatic valve to water valve and water valve to spout.

**DRAIN:** **LK18B** Stainless steel perforated strainer grid, drain with 1-1/2" (38 mm) O.D. x 4" (102mm) stainless steel tailpiece.

EWSF13026KWSC - Model includes knee activated water and soap pump.

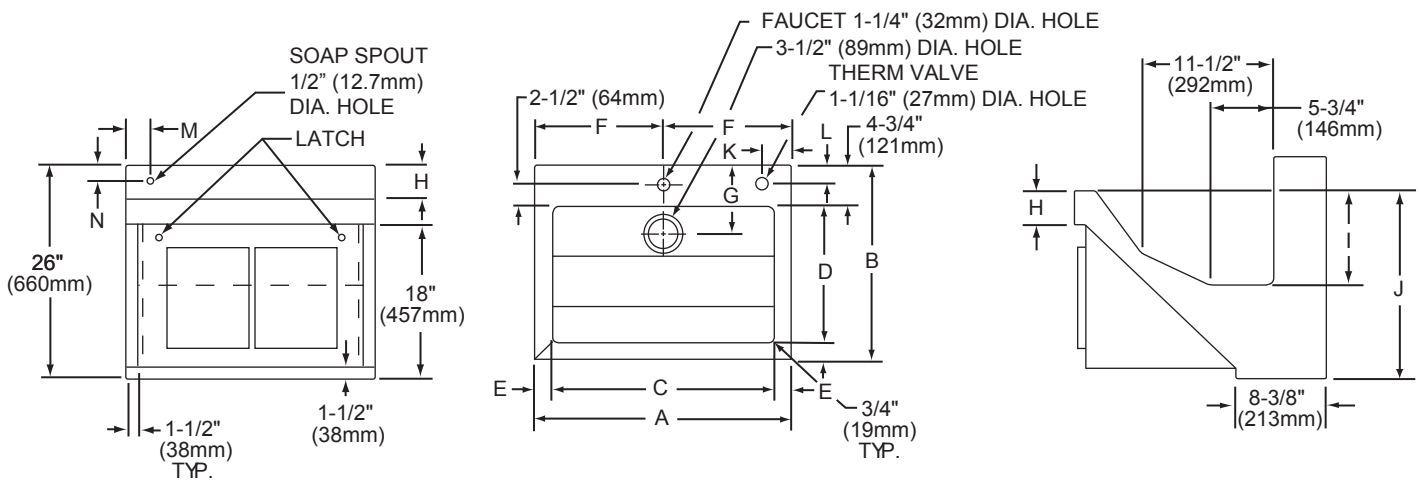
EWSF13026KWC - Model includes knee activated water ONLY.



Model EWSF13026KWSC

**DIMENSIONS**

Model Number	A	B	C	D	E	F	G	H	I	J	L	K	M	N
EWSF13026KWC	30 (762mm)	23 (584mm)	26 (260mm)	16-1/4 (413mm)	2 (51mm)	15 (381mm)	8-1/8 (206mm)	4 (102mm)	11 (279mm)	22 (559mm)	2-3/8 (60mm)	7-1/2 (190mm)	-	-
EWSF13026KWSC	30 (762mm)	23 (584mm)	26 (260mm)	16-1/4 (413mm)	2 (51mm)	15 (381mm)	8-1/8 (206mm)	4 (102mm)	11 (279mm)	22 (559mm)	2-3/8 (60mm)	7-1/2 (190mm)	4 (101mm)	1 (25.4mm)



NOTE: SEE REVERSE SIDE FOR ROUGH-IN DIMENSIONS

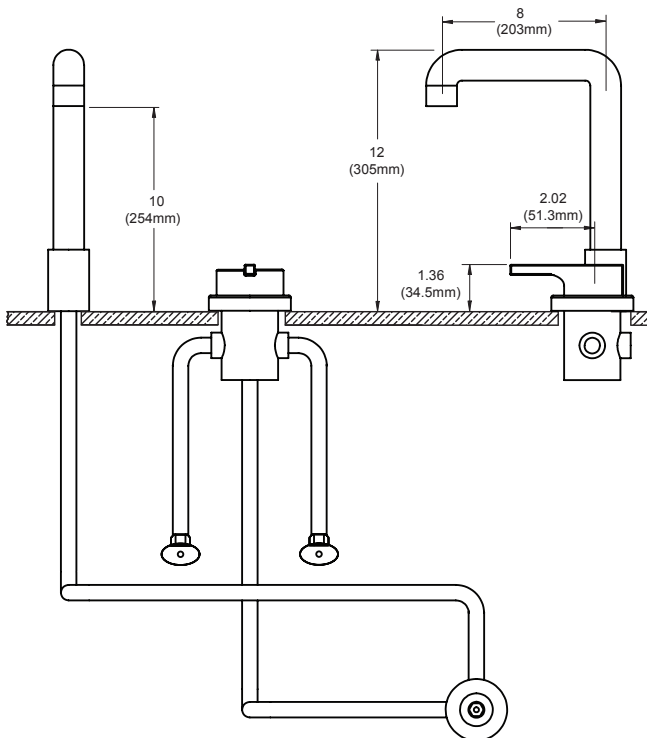
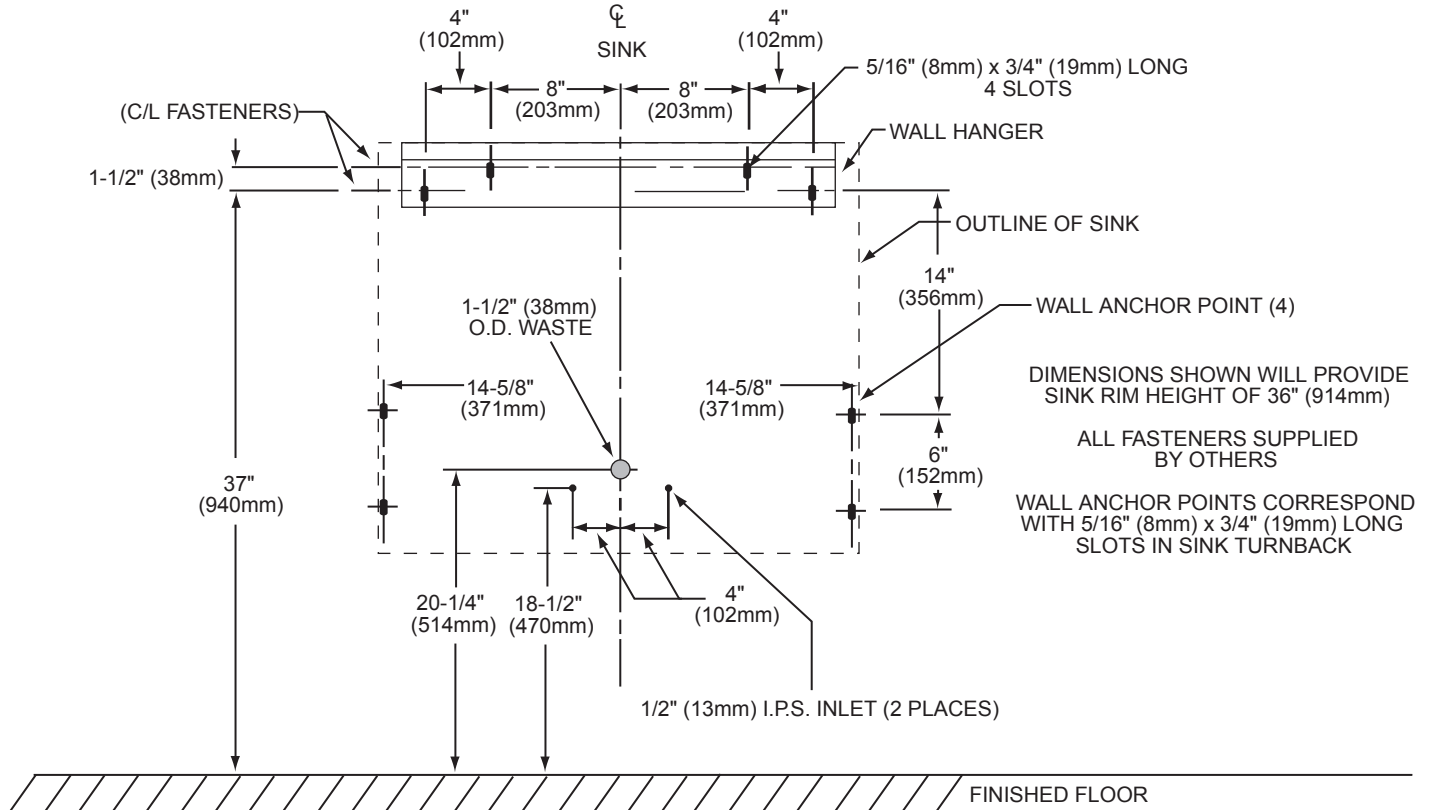
*In keeping with our policy of continuing product improvement, Elkay reserves the right to change product specifications without notice. Please visit elkayusa.com for most current version of Elkay product specification sheets.*

*This specification describes an Elkay product with design, quality and functional benefits to the user. When making a comparison of other producers' offerings, be certain these features are not overlooked.*

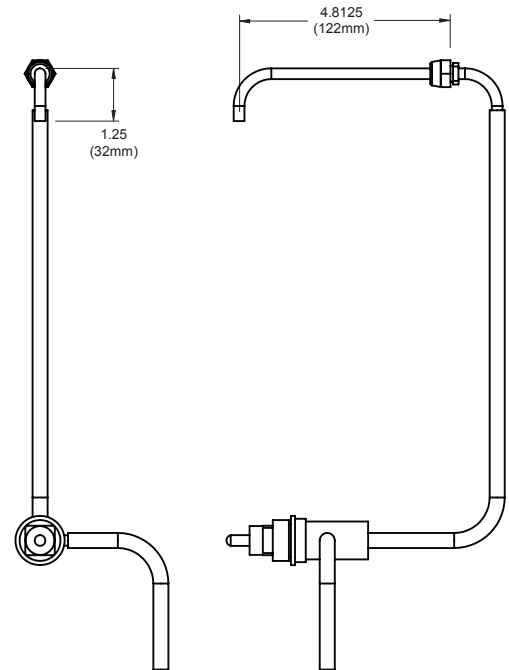
**Surgical Scrub Sink, Single Station, Wall Mounted,  
Knee Operated Water Valve, User Adjustable  
Water Temperature Valve, With/Without Knee  
Operated Soap Pump  
Models EWSF13026KWSC and EWSF13026KWC**

**ELKAY®**

**ROUGH-IN DIMENSIONS**



FAUCET AND TEMPERATURE HANDLE



SOAP SPOUT