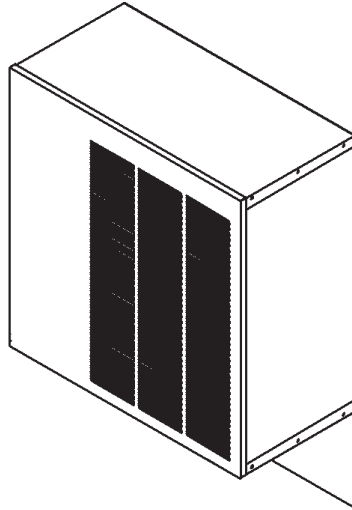


Halsey Taylor Owners Manual

CHILLER SHELF INSTRUCTION AND INSTALLATION

734250548410 FOR SJ5, 10 & 19



Installer

The CHILLER SHELF is among the easiest to install Accessory on the market today. To assure you install this shelf easily and correctly, PLEASE READ THESE SIMPLE INSTRUCTIONS BEFORE STARTING THE INSTALLATION. CHECK YOUR INSTALLATION FOR COMPLIANCE WITH PLUMBING, ELECTRICAL AND OTHER APPLICABLE CODES. After installation, leave these instructions inside the shelf for future reference.

IMPORTANT

ALL SERVICE TO BE PERFORMED BY AN AUTHORIZED SERVICE PERSON

CHILLER SHELF ASSEMBLY INSTRUCTION

- 1) LAYOUT MOUNTING LOCATION AS SHOWN IN FIG. 1

NOTE: WALL CONSTRUCTION AND FASTENER SYSTEM, USED FOR INSTALLING THIS SHELF, MUST SUPPORT 150 POUNDS MINIMUM.

- 2) ATTACH UPPER WALL BRACKET TO WALL. SEE FIG 3 (SCREWS PROVIDED BY INSTALLER).

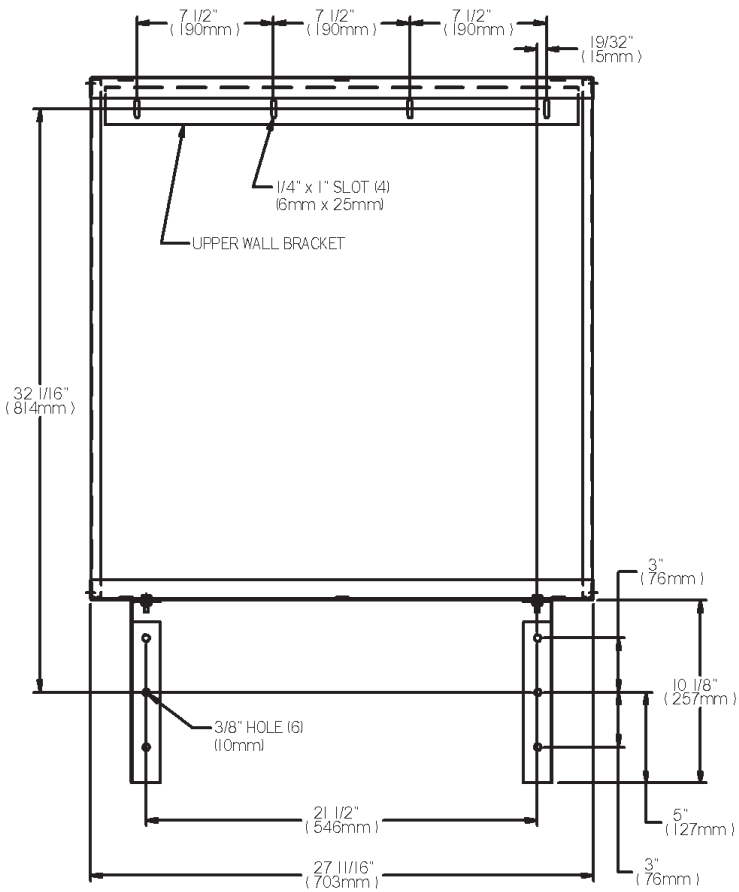


FIG. 1

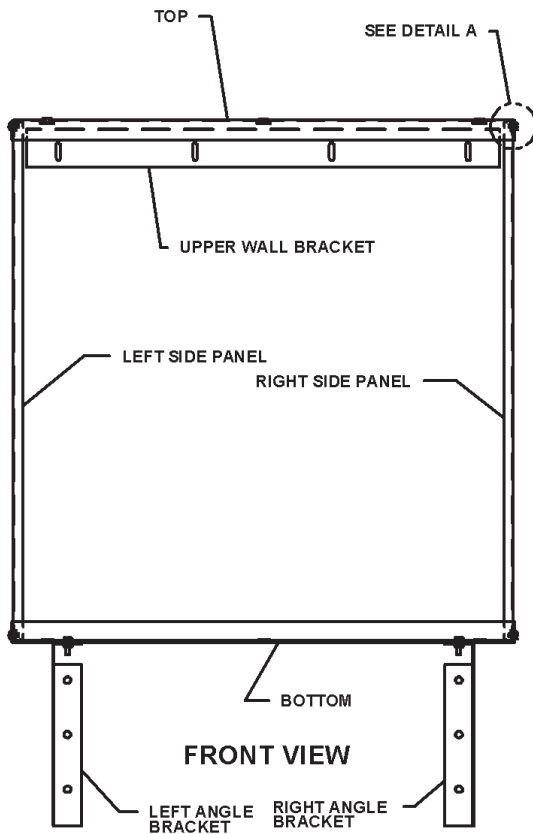
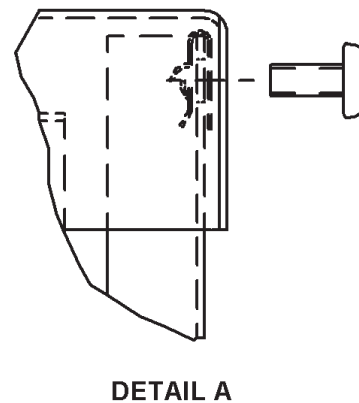


FIG. 2

- 3) ASSEMBLE CABINET SIDES, TOP, BOTTOM, AND ANGLE BRACKETS. SEE FIG 2.



DETAIL A

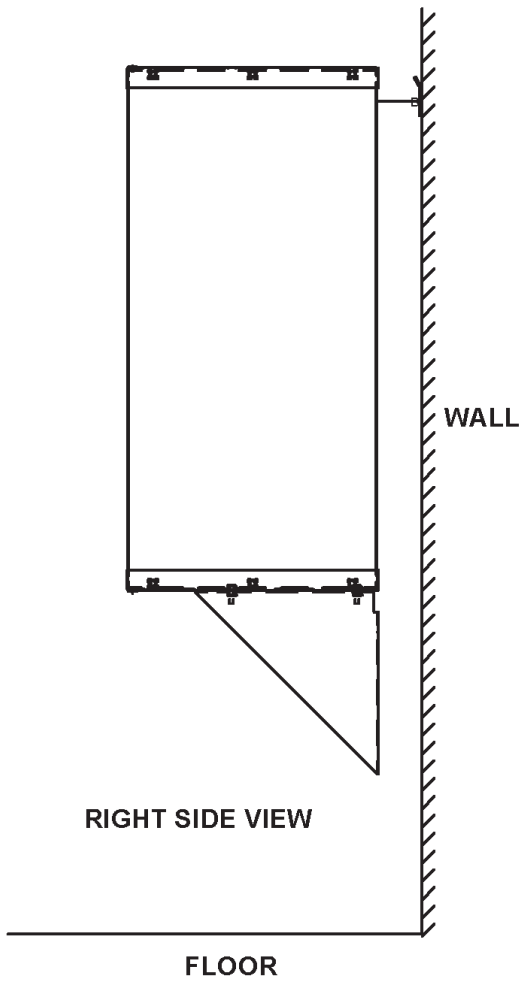


FIG. 3

- 4) MOUNT CABINET WITHOUT FRONT PANEL (GRILLE), TO THE WALL (SEE FIG 3.)
 HOOK BACK FLANGE OF TOP PANEL OVER UPPER WALL BRACKET.
 SCREW ANGLE BRACKETS TO WALL (SEE FIG 1 FOR HOLE LOCATION) WITH SCREWS (PROVIDED BY INSTALLER).

- 5) INSTALL CHILLER UNIT. REFER TO INSTRUCTIONS PROVIDED WITH CHILLER UNIT FOR CORRECT HOOK-UP PROCEDURE.

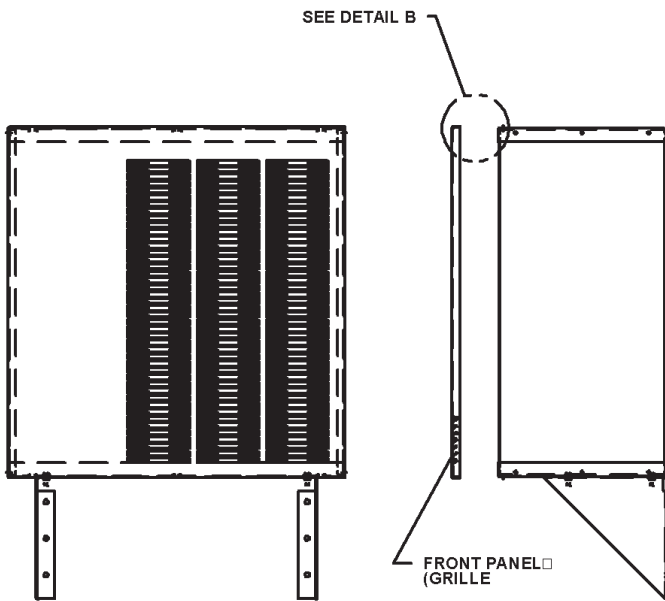
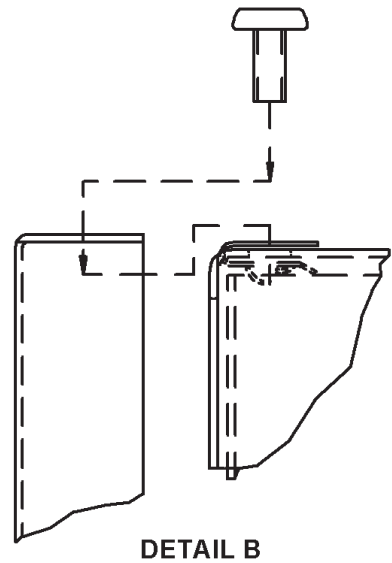
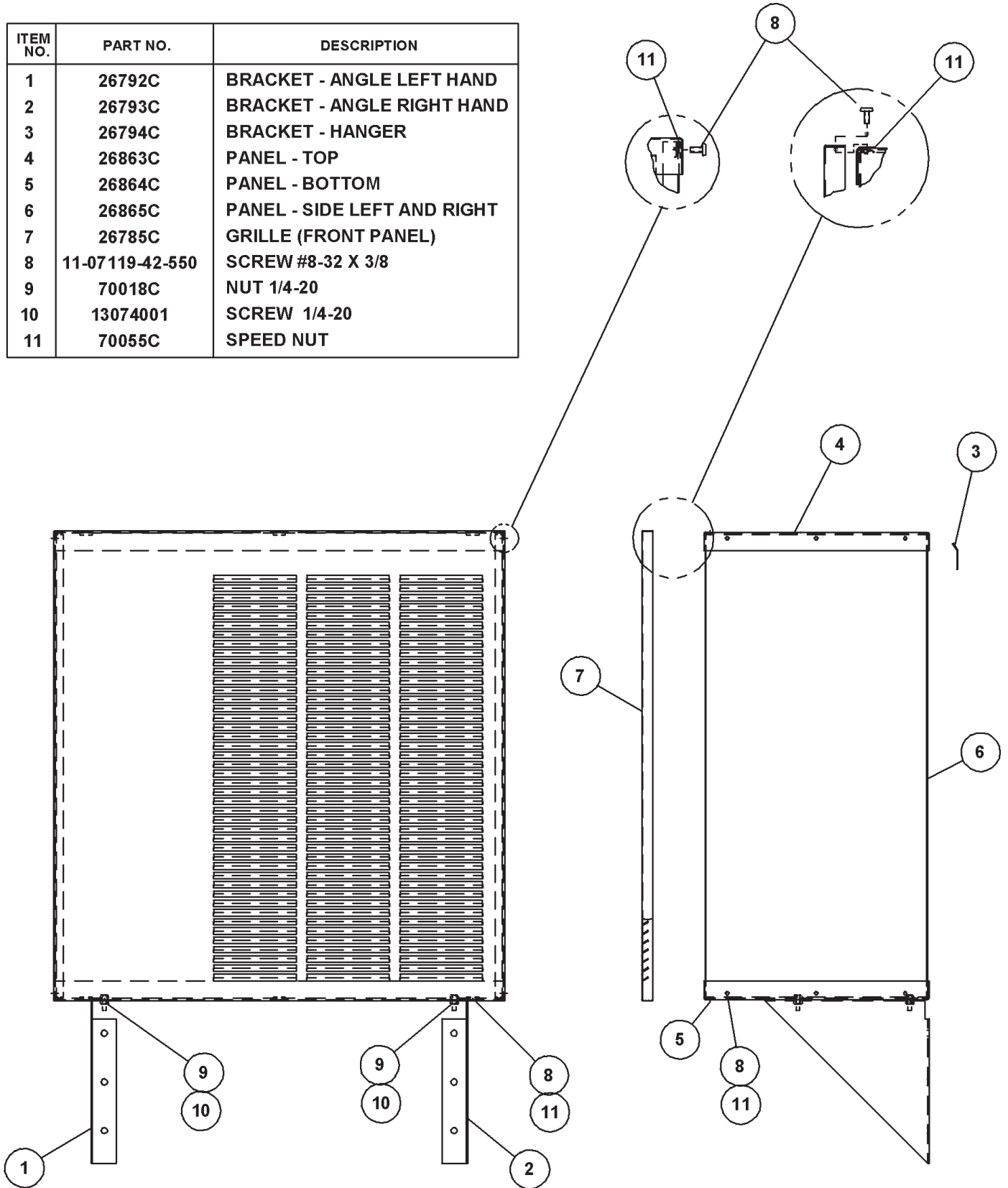


FIG. 4

- 6) INSTALL FRONT PANEL (GRILLE). REFERENCE FIG 4



ITEM NO.	PART NO.	DESCRIPTION
1	26792C	BRACKET - ANGLE LEFT HAND
2	26793C	BRACKET - ANGLE RIGHT HAND
3	26794C	BRACKET - HANGER
4	26863C	PANEL - TOP
5	26864C	PANEL - BOTTOM
6	26865C	PANEL - SIDE LEFT AND RIGHT
7	26785C	GRILLE (FRONT PANEL)
8	11-07119-42-550	SCREW #8-32 X 3/8
9	70018C	NUT 1/4-20
10	13074001	SCREW 1/4-20
11	70055C	SPEED NUT



Halsey Taylor®

2222 CAMDEN COURT
 OAK BROOK, IL 60523
 630.574.3500

PRINTED IN U. S. A.