

### PRODUCT SPECIFICATIONS

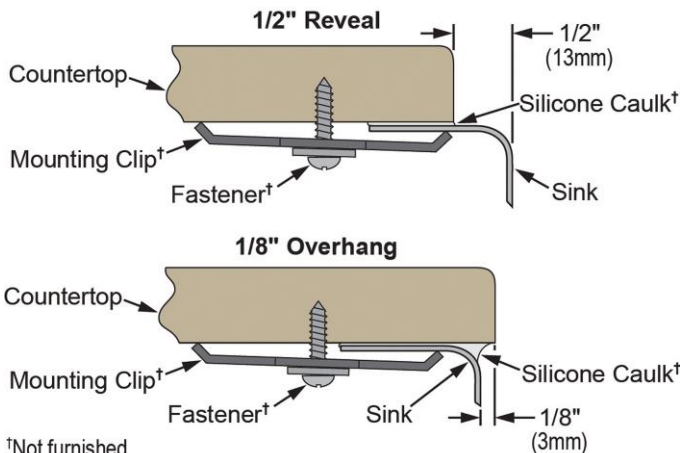
Gourmet (Lustertone®) Stainless Steel Double Bowl Perfect Drain Sink. Overall dimensions are 31-3/4" x 16-1/2" x 7-1/2". Sink is manufactured from 18 gauge 304 Stainless Steel with a Lustrous Highlighted Satin finish, Center drain placement and SoundGuard®.

<b>Installation Type:</b>	Undermount
<b>Material:</b>	304 Stainless Steel
<b>Special Features:</b>	Perfect Drain
<b>Finish:</b>	Lustrous Highlighted Satin
<b>Gauge:</b>	18
<b>Sound Deadening:</b>	SoundGuard®
<b>Number of Bowls:</b>	2
<b>Sink Dimensions:</b>	31-3/4" x 16-1/2" x 7-1/2"
<b>Bowl 1 Dimensions:</b>	14" x 14" x 7-1/2"
<b>Bowl 2 Dimensions:</b>	14" x 14" x 7-1/2"
<b>Drain Size:</b>	3-3/8" (86mm)
<b>Drain Location:</b>	Center
<b>Minimum Cabinet Size:</b>	36"
<b>Mounting Hardware:</b>	Undermount brackets sold separately
<b>Template Included:</b>	Yes
<b>Cutout Template #:</b>	<a href="#">1000001292</a>

Template is available for download at [elkay.com](#)

**Perfect Drain:** Seamlessly welded stainless steel collar eliminates the gap between a traditional drain and the sink for a sanitary and gap free installation. An InSinkErator® garbage disposer can be installed on either sink bowl for user convenience. **Patent Pending**

#### Installation Profile:



†Not furnished

Designed to affix to the underside of any solid surface countertop.

PART: \_\_\_\_\_ QTY: \_\_\_\_\_

PROJECT: \_\_\_\_\_

CONTACT: \_\_\_\_\_

DATE: \_\_\_\_\_

NOTES: \_\_\_\_\_

APPROVAL: \_\_\_\_\_



**Included with Product:** Two LKPD1 Perfect Drain Strainer Assemblies

AMERICAN PRIDE. A LIFETIME TRADITION. Like your family, the ElKay family has values and traditions that endure. For almost a century, ElKay has been a family-owned and operated company, providing thousands of jobs that support our families and communities.



Sinks are listed by IAPMO® as meeting the applicable requirements of the Uniform Plumbing Code®, International Plumbing Code®, and National Plumbing Code of Canada.

**Product Compliance:** BUY AMERICAN ACT  
ASME A112.19.3/CSA B45.4  
Accessory: ASME A112.18.2/CSA B125.2

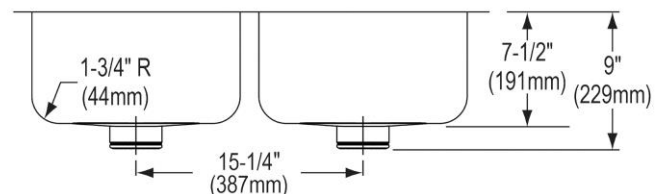
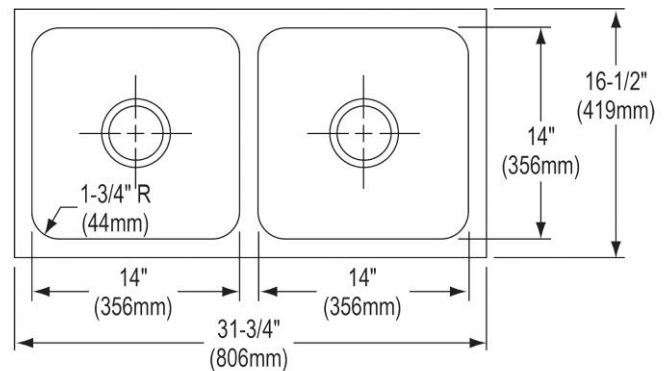
[Clean and Care Manual \(PDF\)](#)

[Installation Instructions \(PDF\) - 1000002045](#)

[Installation Instructions \(PDF\) - 74180289 Disposer](#)

[Installation Instructions \(PDF\) - 74180340-USA Drain](#)

[Limited Lifetime Warranty \(PDF\)](#)



In keeping with our policy of continuing product improvement, ElKay reserves the right to change product specifications without notice. Please visit [elkay.com](#) for the most current version of ElKay product specification sheets. This specification describes an ElKay product with design, quality, and functional benefits to the user. When making a comparison of other producers' offerings, be certain these features are not overlooked.

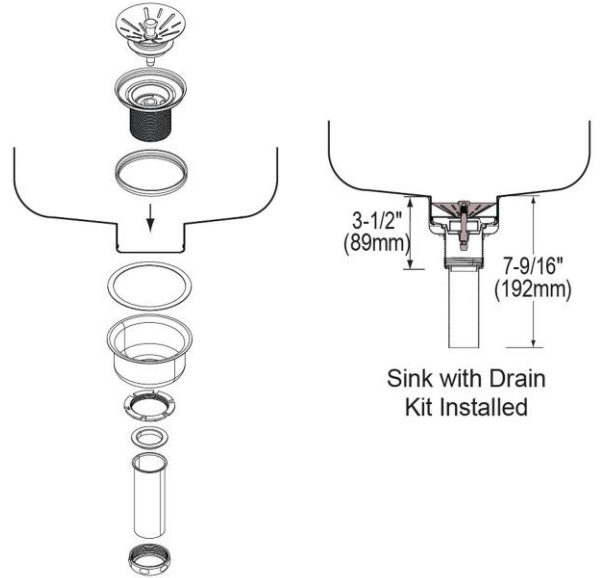
**OPTIONAL ACCESSORIES**

<b>Bottom Grid:</b>	LKWBG1414SS
<b>Cutting Board:</b>	CB1613, CBR1418
<b>Faucet:</b>	LKGT1041, LKGT2041
<b>Hardware:</b>	LKUCLIP8 (2 Required)
<b>Rinsing Basket:</b>	LKW RB1414SS
<b>Sinkmate:</b>	LKSM17, LKSMHOOK, LKSMSPONGE, LKSMHSL
<b>Soap Dispenser:</b>	LKGT1054

**in sink erator®**

Elkay® Perfect Drain™ sinks are designed and approved for compatible disposers manufactured by InSinkErator® utilizing the Quick Lock® mounting configuration. Use of non-approved disposers may void Elkay warranty.

InSinkErator, Quick Lock and the mounting collar configuration are trademarks of Emerson Electric Co.

*In keeping with our policy of continuing product improvement, Elkay reserves the right to change product specifications without notice. Please visit [elkay.com](http://elkay.com) for the most current version of Elkay product specification sheets. This specification describes an Elkay product with design, quality, and functional benefits to the user. When making a comparison of other producers' offerings, be certain these features are not overlooked.*