

# DAYTON<sup>®</sup>

## SPECIFICATIONS

### Dayton<sup>®</sup> Double Bowl Sink Models D and DD Series

#### GENERAL

Sink is formed of #22 gauge, 300 series, nickel-bearing stainless steel. Top mount.

#### DESIGN FEATURES

Bowl Depth: See next page

Coved Corners: D22519: 2-1/4" (57mm) vertical and horizontal radius

D23317, D23319: 2-1/2" (64mm) vertical and 2-3/4" (70mm) horizontal radius

D23321: 4" (102mm) vertical and

3-1/4" (83mm) horizontal radius

Rim Height: 3/16" (5mm)

Faucet Deck: Raised (except D22519, D23317 and D23319 series).

Finish: Exposed surfaces are polished to a satin finish.

Underside: Undercoated on bottom of bowls

#### OTHER

Drain Opening: 3-1/2" (89mm)

Installation Hardware: Included for 3/4" (19mm) countertop.


#### OPTIONAL ACCESSORIES

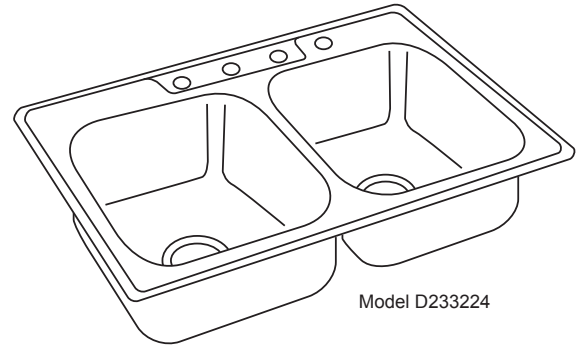
Bottom Grid: GBG1414SS (D23317 & D23319), GBG1415SS (D23321 & D23322)

Drain: D1125

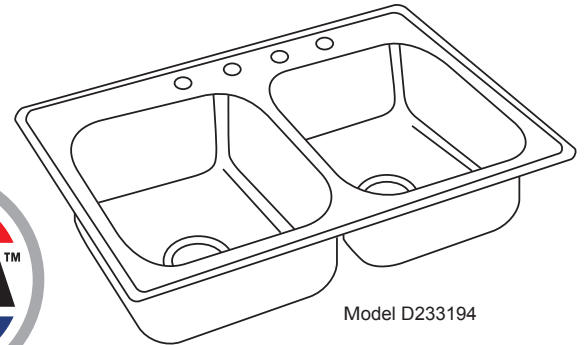
Sink complies with ASME A112.19.3/ CSA B45.4

 Sinks are listed by IAPMO<sup>®</sup> as meeting the applicable requirements of the Uniform Plumbing Code<sup>®</sup>, International Plumbing Code<sup>®</sup>, and National Plumbing Code of Canada.

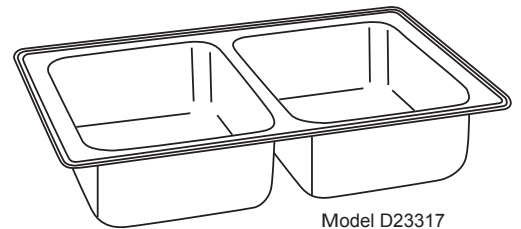
 Identified sinks are compliant to ADA and ANSI/ICC A117.1 accessibility requirements when installed according to the requirements outlined in these standards.



Model D233224










Model D233194



Model D23317



#### SINK DIMENSIONS (INCHES)\*

U-Channel Model Number	Overall		Inside Each Bowl			Cutout in Countertop (1-1/2" (38mm) Radius Corners)		No of 1-1/2" (38mm) Dia. Faucet Holes 4" (102mm) Center	Minimum Cabinet Size
	L	W	L	W	D	L	W		
	A	B	C	D	E				
 D22519	25 (635mm)	19 (483mm)	10 (254mm)	14 (356mm)	6-1/4 (159mm)	24-3/8 (619mm)	18-3/8 (467mm)	1, 3 or 4	30 (762mm)
 D23317	33 (838mm)	17 (432mm)	14 (356mm)	14 (356mm)	6 (152mm)	32-3/8 (822mm)	16-3/8 (416mm)	NONE	36 (914mm)
 D23319	33 (838mm)	19 (483mm)	14 (356mm)	14 (356mm)	6-7/16 (164mm)	32-3/8 (822mm)	18-3/8 (467mm)	1, 2, MR2, 3, 4 or 5	36 (914mm)
 D23321									
 DW1023321 DW5023321	33 (838mm)	21-1/4 (540mm)	14 (356mm)	15-3/4 (400mm)	6-1/2 (165mm)	32-3/8 (822mm)	20-5/8 (524mm)	1, 2, MR2, 3, 4 or 5	36 (914mm)
 D23322 DW1023322 DW5023322	33 (838mm)	22 (559mm)	14 (356mm)	15-3/4 (400mm)	6-9/16 (167mm)	32-3/8 (822mm)	21-3/8 (543mm)	1, 2, MR2, 3, 4 or 5	36 (914mm)
 DD23322	33 (838mm)	22 (559mm)	14 (356mm)	15-3/4 (400mm)	7-1/16 (181mm)	32-3/8 (822mm)	21-3/8 (543mm)	1, 2, MR2, 3, 4 or 5	36 (914mm)

\*Length is left to right. Width is front to back.

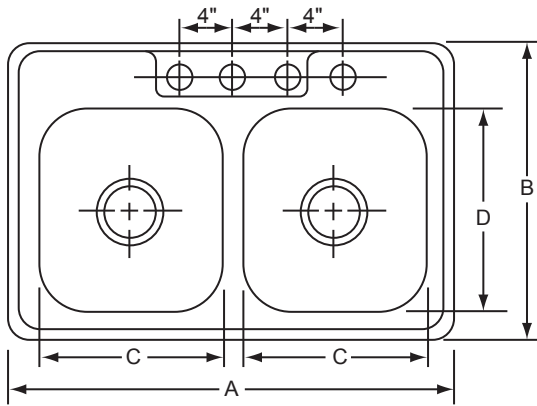
\*\*W10 = 10 pack & W50 = 50 pack.

In keeping with our policy of continuing product improvement, Elkay reserves the right to change product specifications without notice. Please visit [elkay.com](http://elkay.com) for the most current version of Elkay product specification sheets.

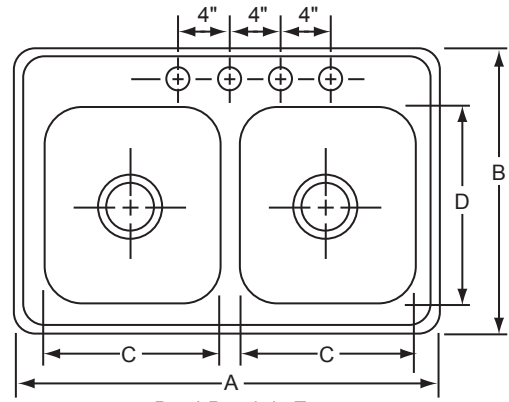
This specification describes an Elkay product with design, quality, and functional benefits to the user. When making a comparison of other producers' offerings, be certain these features are not overlooked.

**Dayton® Double Bowl Sink  
Models D and DD Series**

**DAYTON®  
SPECIFICATIONS**



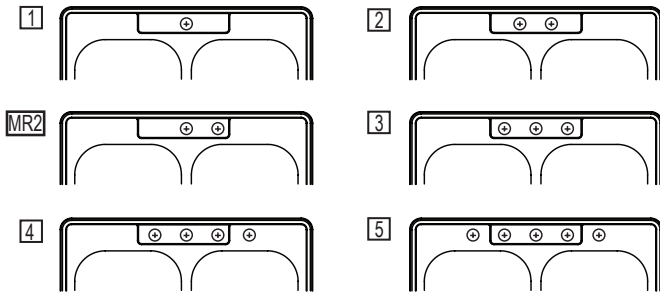
Bowl Depth is E  
Model D233224 Illustrated



Bowl Depth is E  
Model D233194 Illustrated

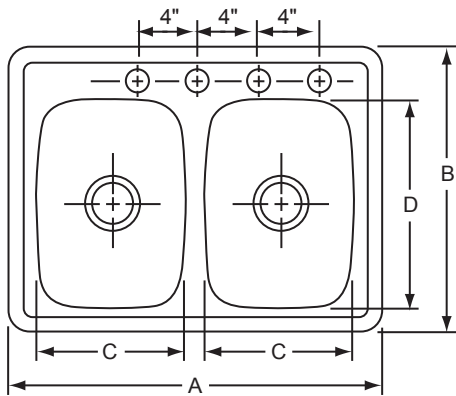
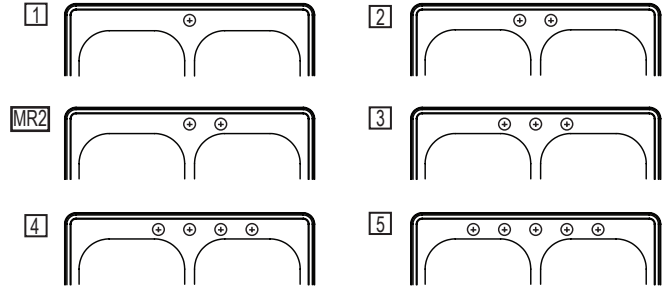
**Hole Drilling Configurations**

1-1/2" (38mm) Diameter Faucet Holes on 4" (102mm) Centers

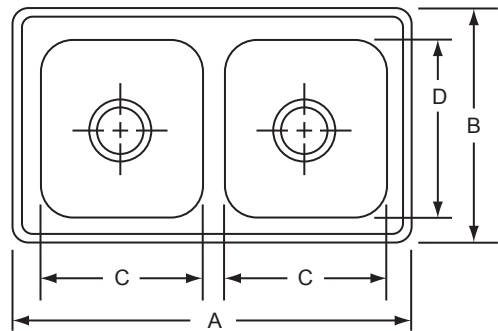


**Hole Drilling Configurations**

1-1/2" (38mm) Diameter Faucet Holes on 4" (102mm) Centers



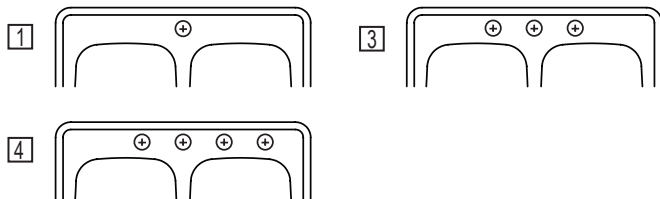
Bowl Depth is E  
Model D225194 Illustrated



Bowl Depth is E  
Model D23317 Illustrated

**Hole Drilling Configurations**

1-1/2" (38mm) Diameter Faucet Holes on 4" (102mm) Centers



**U-Channel Type Mounting System**

